

CONSTRUCTION NOTES

A. GENERAL NOTE:

- The implementing agent will give direction whether a pit will be sealed or un-sealed depending on the outcome of the ground water analysis.
- The contractor will be responsible for excavation of the pit, whatever the ground conditions, in their cost.
- All blocks to be of rft engineering blocks for the whole substructure.
- Section A-A shows the arrangement for an un-sealed pit, for sealed pits the outside wall of the substructure must be solid with no open vertical joints.
- The bottom of the pit will include a 500mm thick concrete base to ensure the pit is fully sealed.
- Control dividing walls must be constructed with fully mortared joints for the full depth.
- The outer wall of the pit must have a minimum thickness of 200mm.
- The pit must be 1 course of bricks above the natural ground level.
- The slab will be designed and approved by the implementing agent.
- The rain water harvesting tank must be equipped with a float valve and connected to the main water supply within the school yard where there is a suitable connection.
- Taps in all wash hand basins must be charlog (pvc) type.
- Close taps to ensure reliable water conservation, which must be able to close at minimum 15kpa pressure.
- Vertical pipes to sewer to the walls outside the ablution facility.

B. FOUNDATIONS

- Foundation to be 700mm wide x 250 thick, 25-mpe concrete strip footing under all walls.
- They are to sit on firm compacted ground (excavated trenches) with a minimum of 700mm below ground level and to engineers approval upon inspection.

C. BACKFILL

- Fill & imported fill to be approved clean earth, well washed & removed in layers not exceeding 150mm in depth and thoroughly consolidated to a density of 95% mod. ashtr.

D. FLOORS

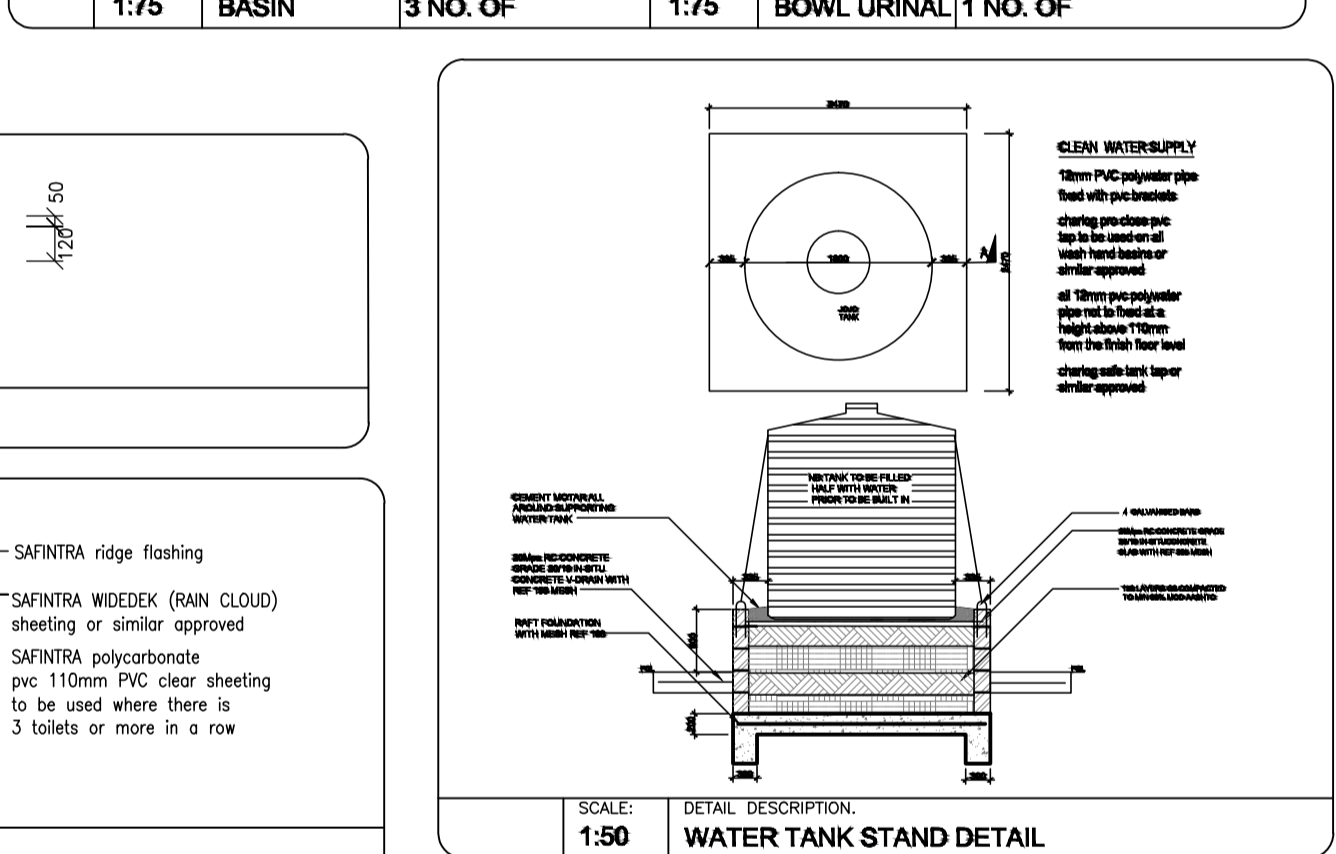
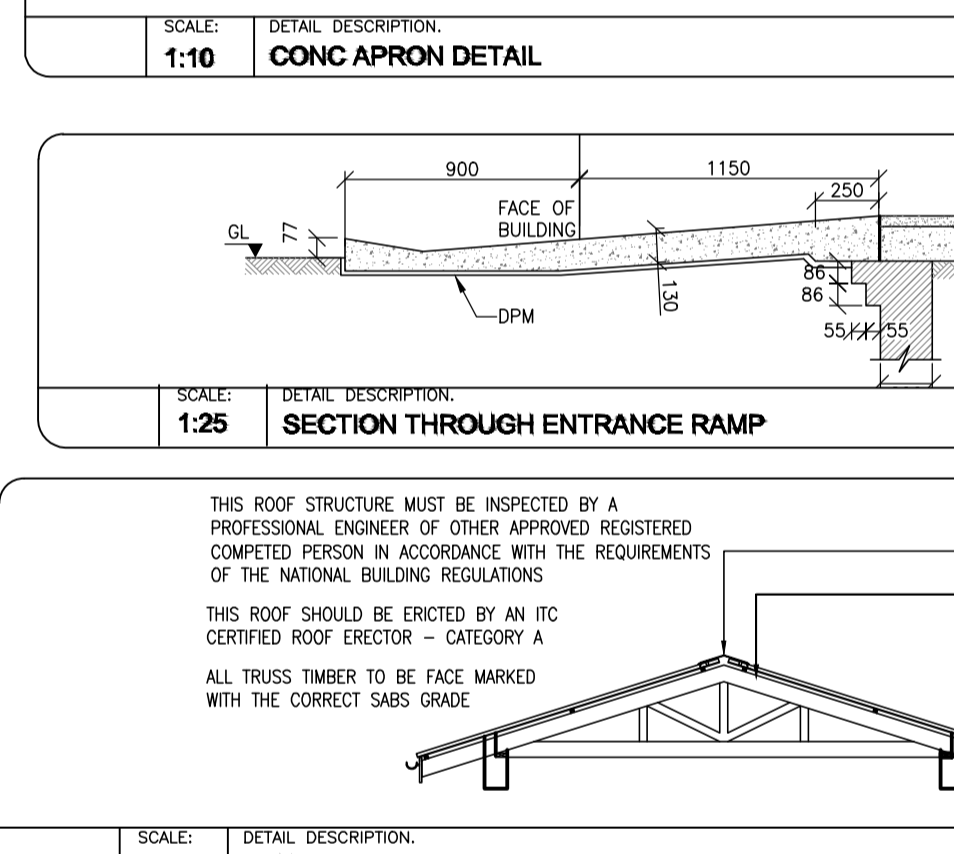
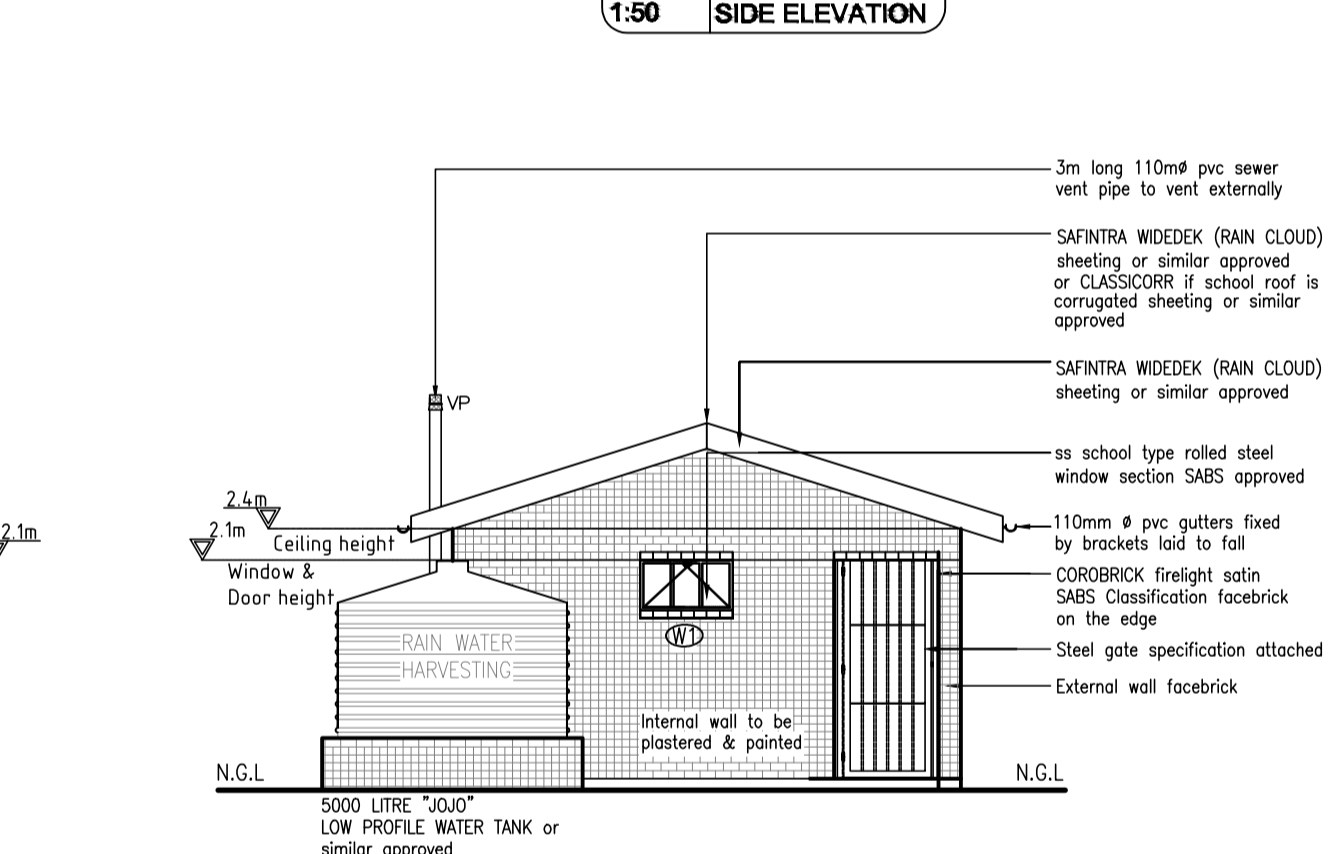
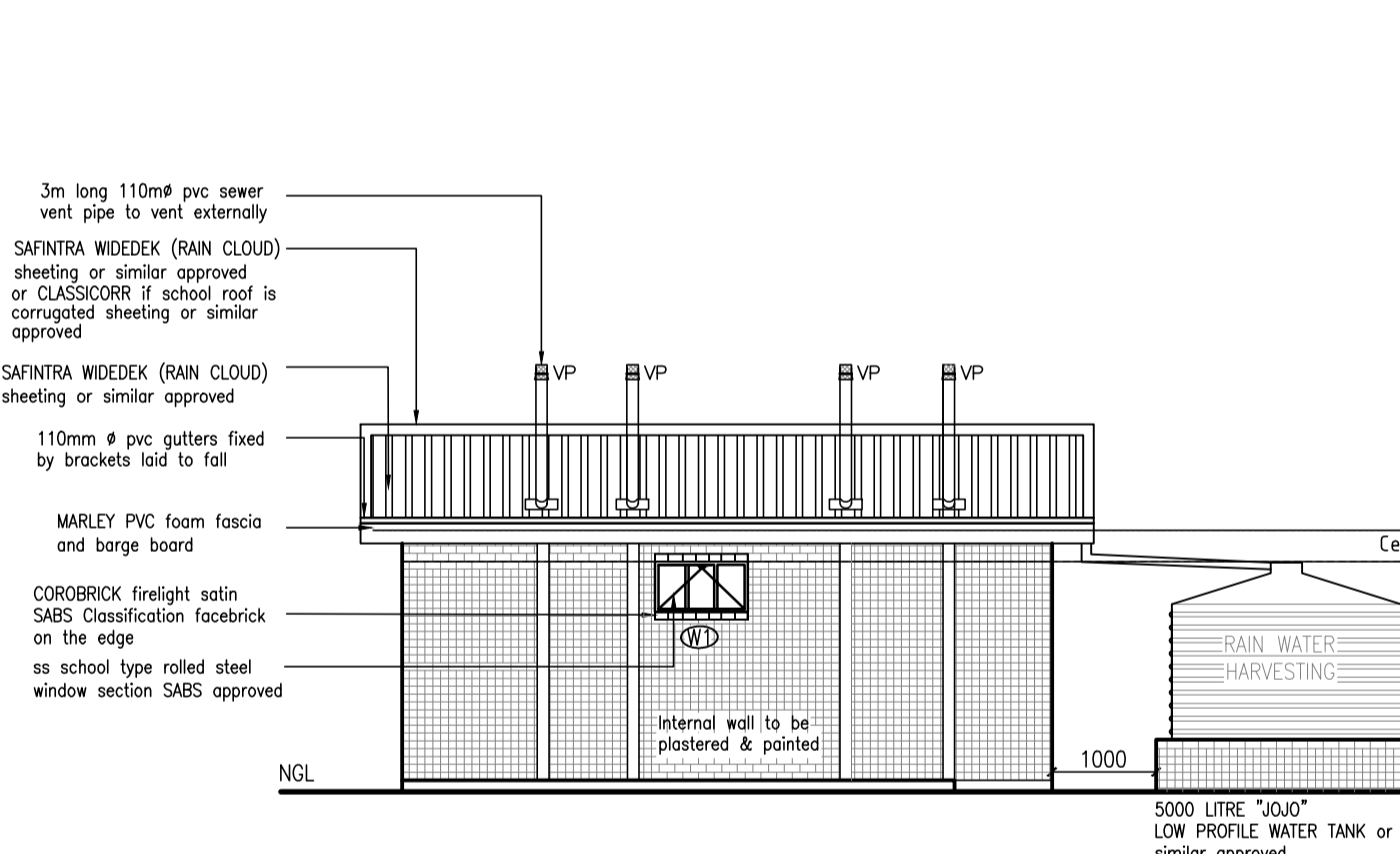
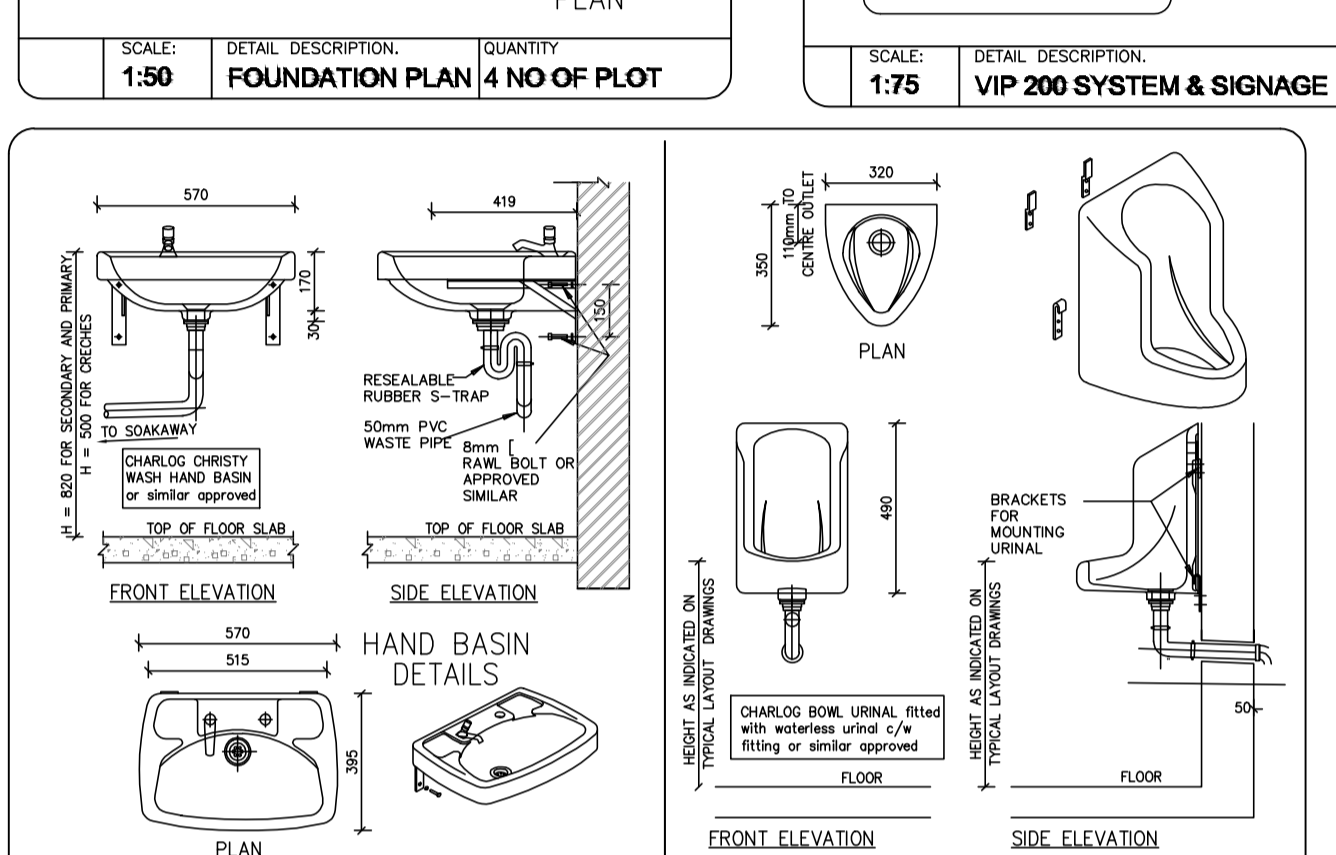
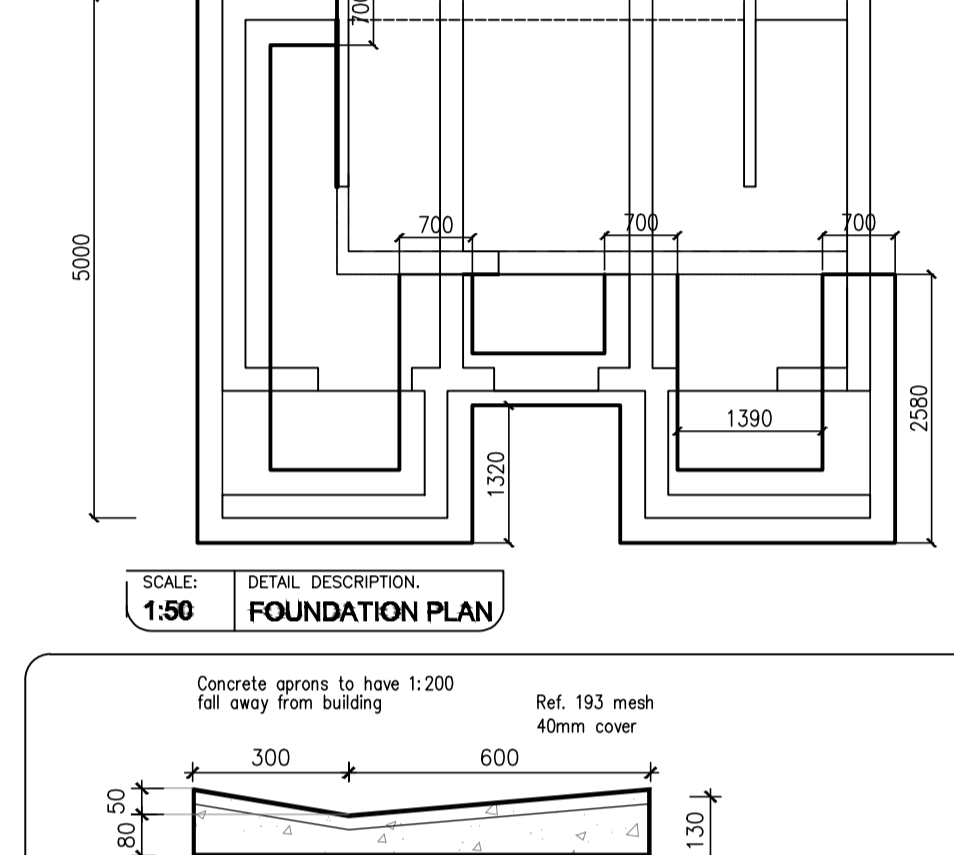
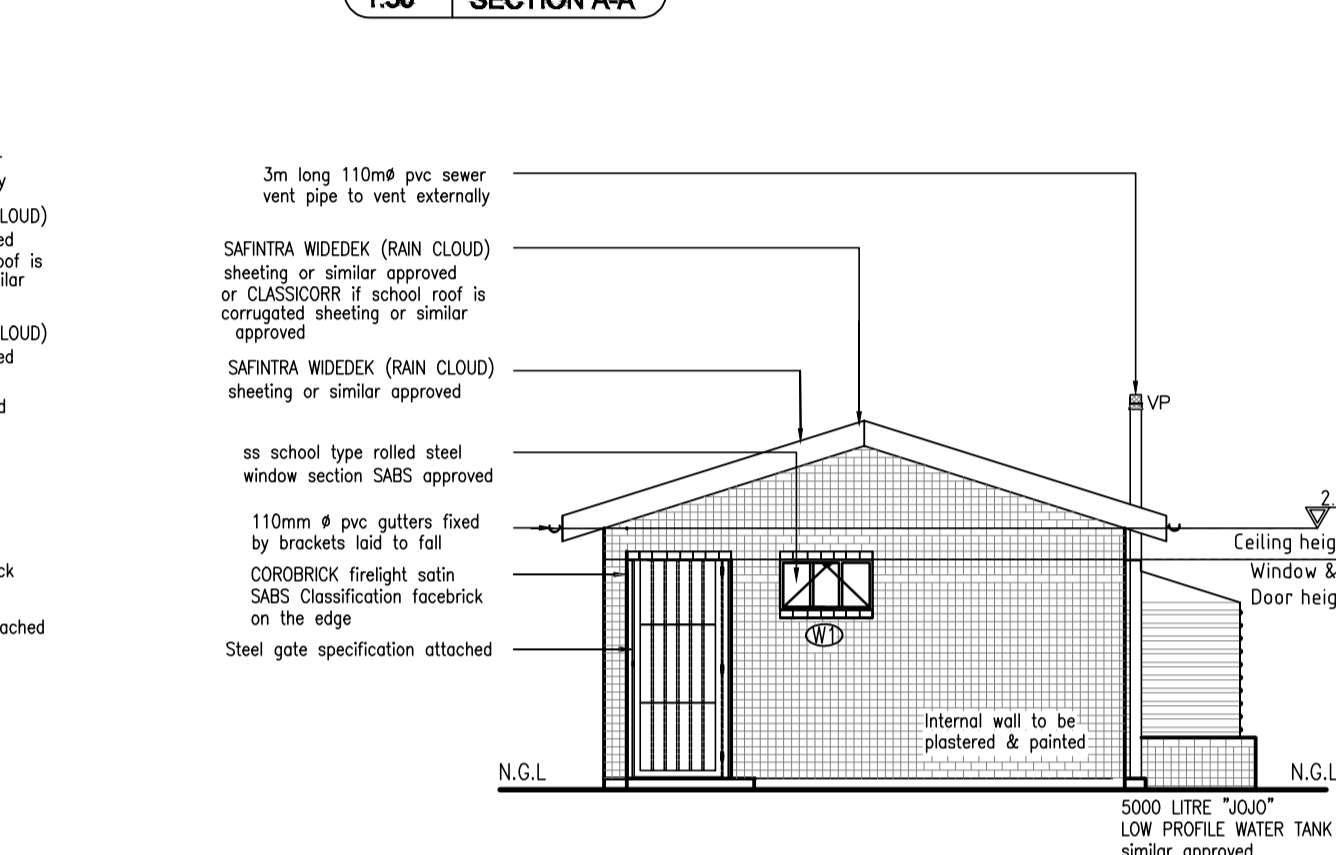
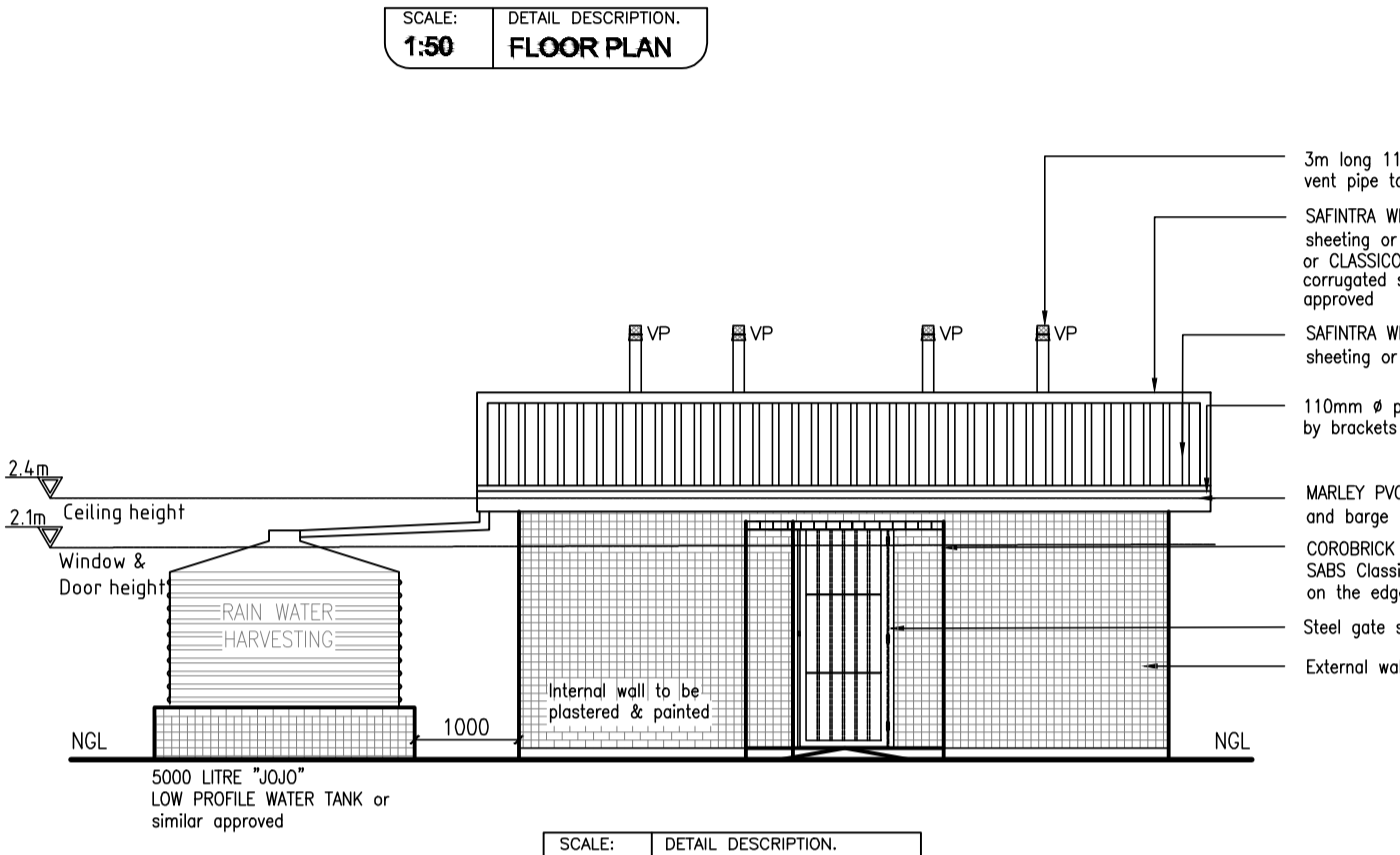
- All to Engineers detail and specification.

E. WALLS

- All walls are to comply with "Part K" of the National Building Regulations.
- COROBROCK COMBOS are to be used where to reduce plaster COROBROCK ENGINEERING Bricks to be used below ground level in foundation walls.
- Brickwork to every 2nd course up to window head height thereafter all courses from window head to underside of wallplate. Galvanized strapping wire wall ties (7 per square metre - laid staggered).
- External face of masonry to be painted ultramar paint 375 micron emulsion damp-proof membrane to be applied below at window cills.
- Where plaster is required internally (CS - 10mm thick) ratio must be 1:5 cement:sand mix. Beam filling to underside of roofing sheets.
- Control joints to be provided in accordance with engineers specifications & must be sealed with 12mm deep polysulphide sealant with backing strip and impregnated sealant.
- All internal brickwork to have brickwork at every third course of brickwork.
- All framing and / or retaining wall to Structural Engineers detail.
- P.C. Bricks to be installed over all new openings where walls to be installed and per eng. detail.

F. ROOF

- Safintra 0,8mm thick AZ1502/204 Widedek profile roof sheeting, fixed to intermediate steel purlins at 1000mm centres and to ridge and eaves purlins at 1500mm centres, 1200mm long class3 metal self drilling screws at every second end at intermediate purlins and every crest of eaves purlins all in accordance with the manufacturer's recommendations.
- The sheeting shall be Widedek trapezoidal type profile as manufactured by Safintra Roofing.
- The profile shall be not formed with 2 trapezoidal ribs at 191mm centres with a rati cover of 700mm.
- The rib height shall be 28mm and shall be fixed in accordance with the manufacturer's recommendations.
- Widedek sheeting recommended minimum pitch for slopes in excess of 15m to 10° and for slopes less than 15m to 12°.
- Widedek sheeting can be ordered in any length, subject to transport limitations up to 13,2m. Longer lengths require special transport arrangements.
- Purlin spacings are dependent on both downward loading and negative suction loading caused by wind. The engineer should be consulted to calculate the load (N/m²) for particular application.

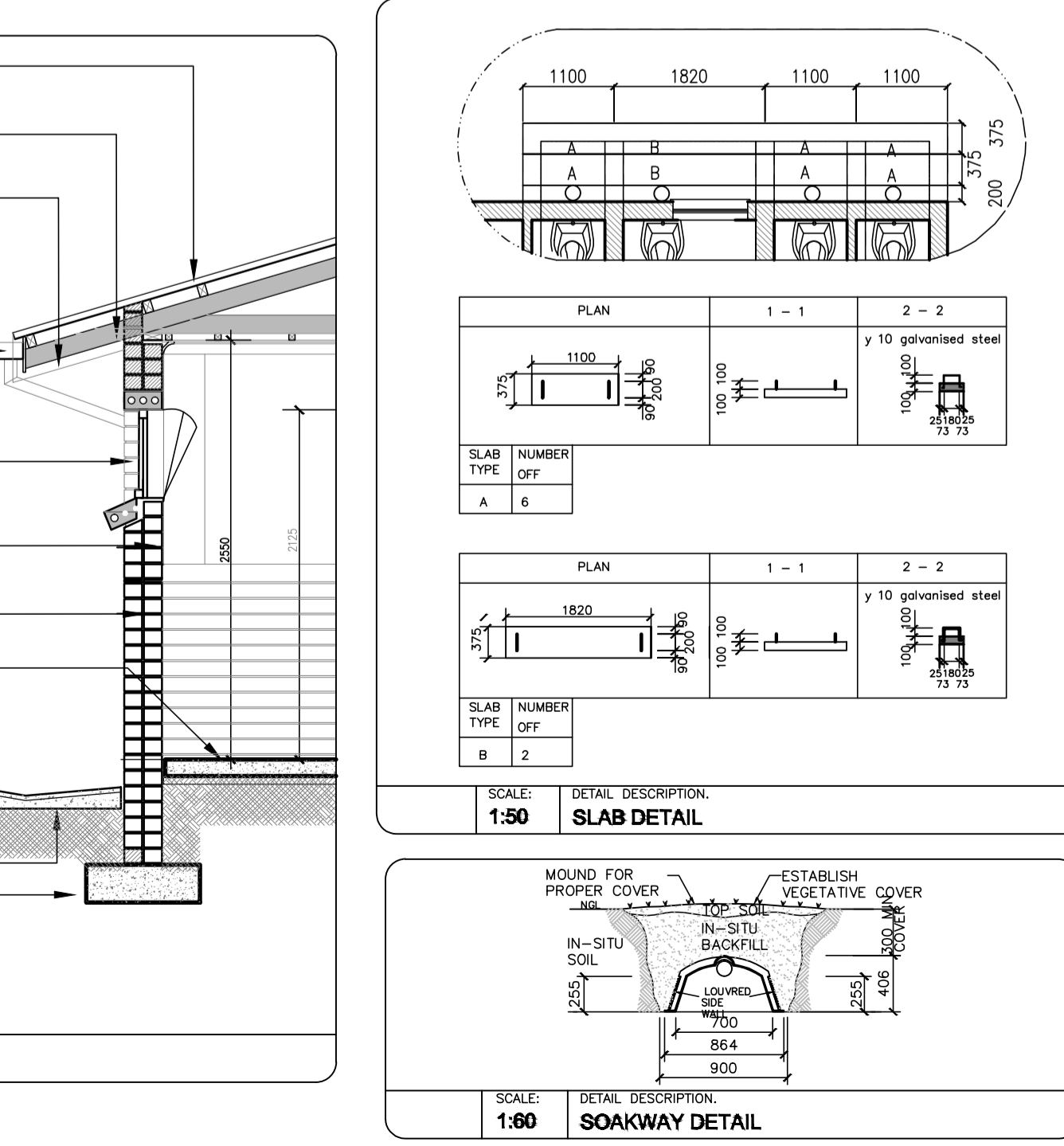
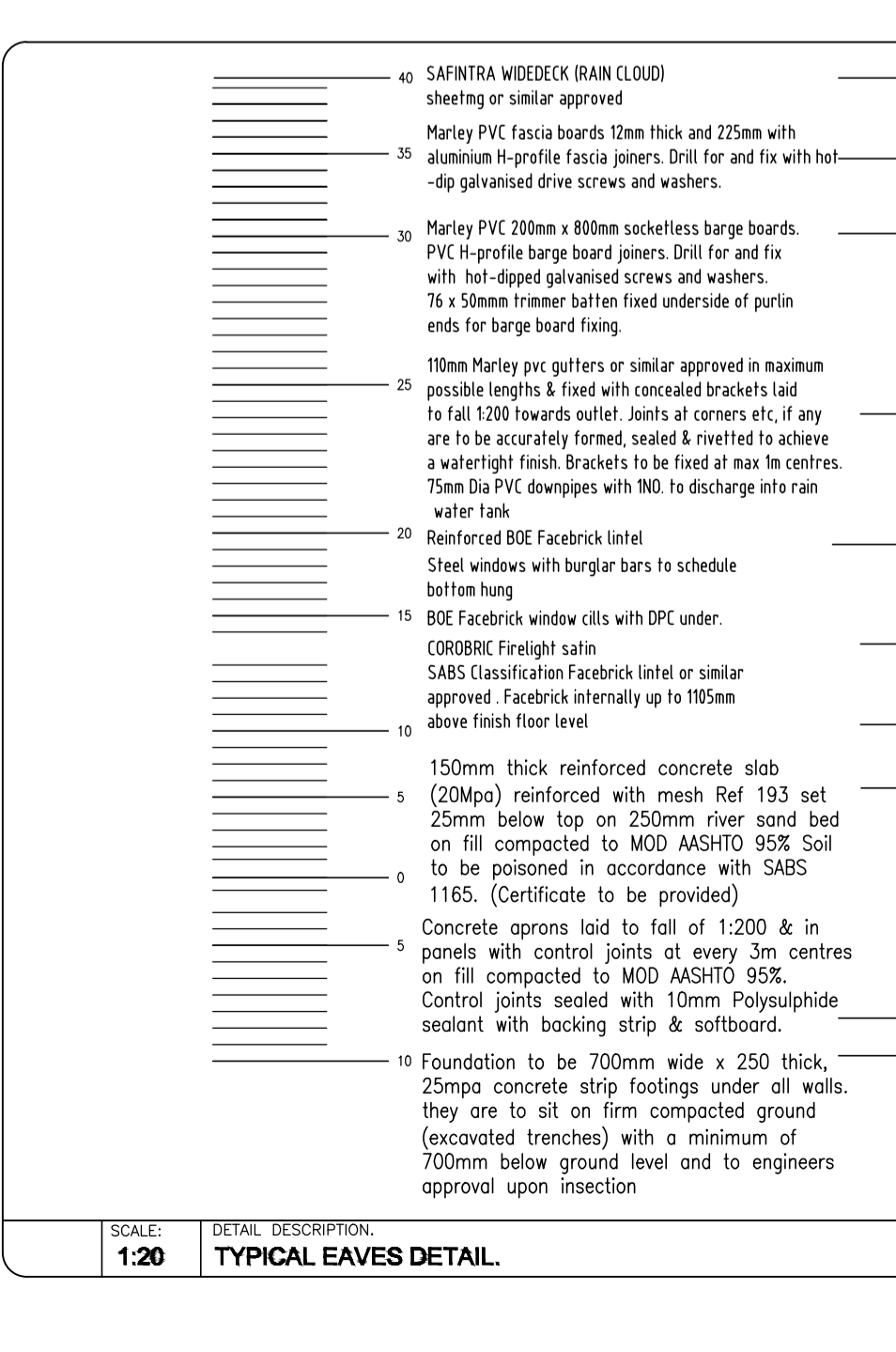
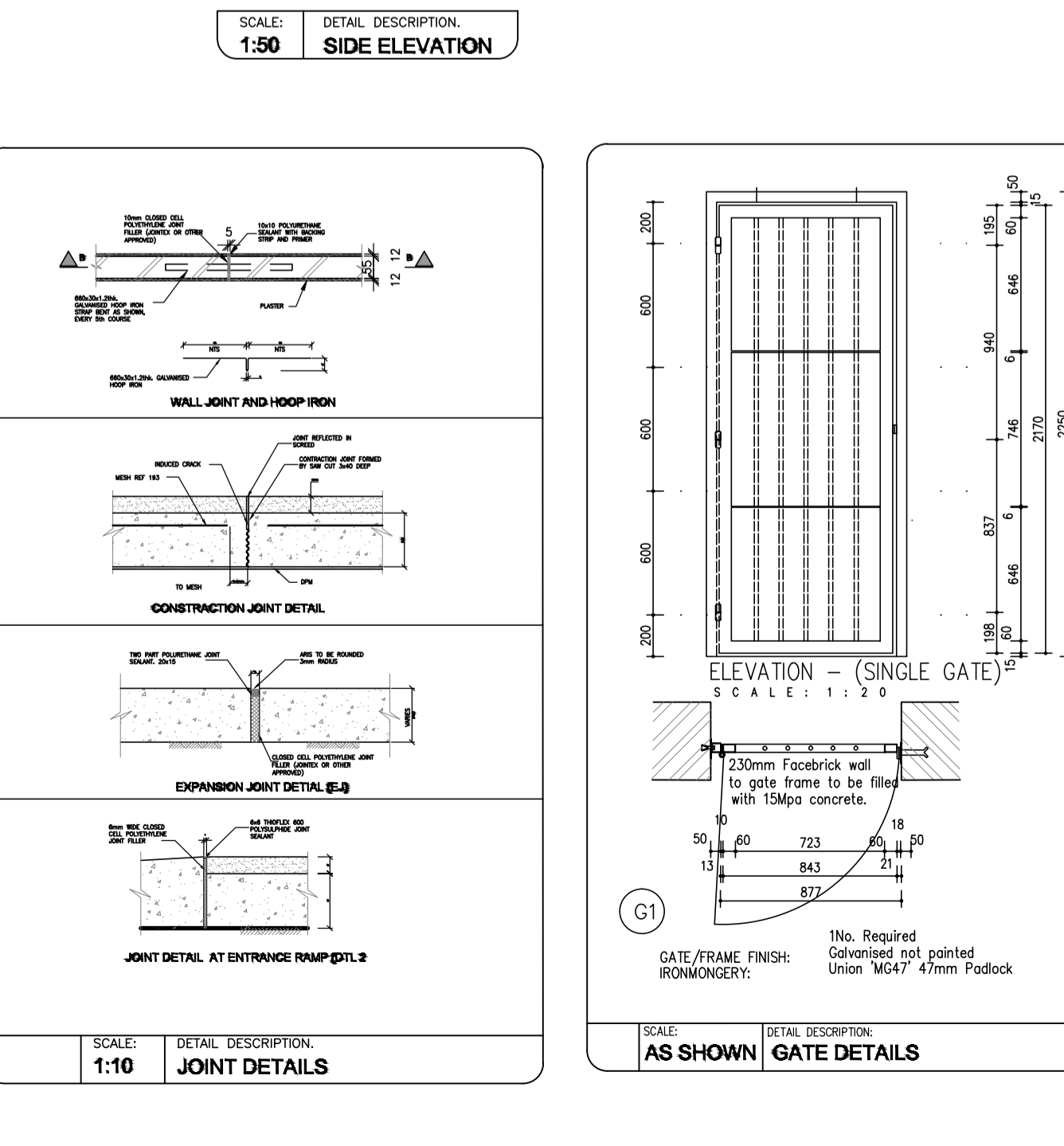
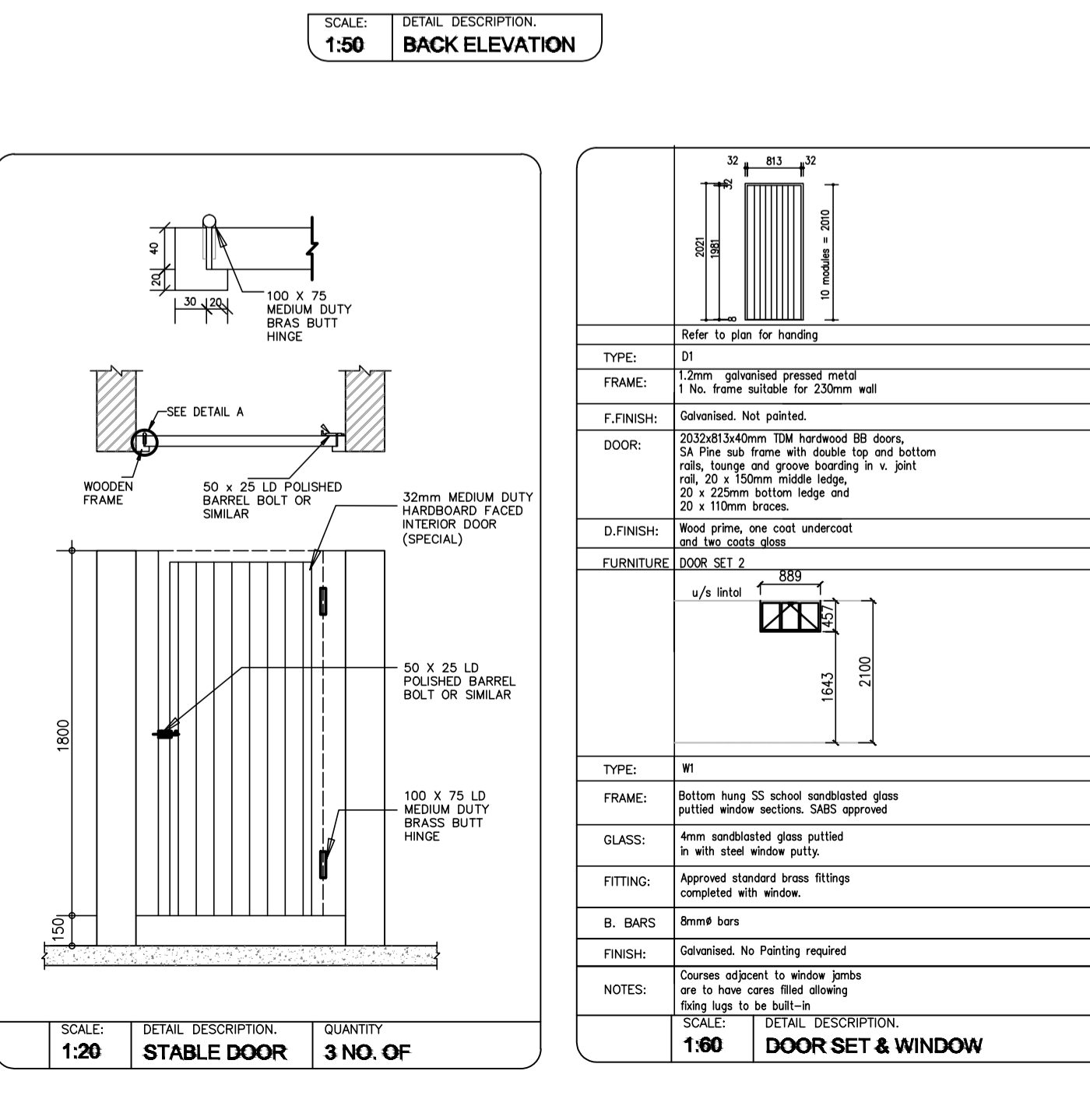


CONCRETE MIX RATIOS

STRENGTH	UNIT CEM	UNIT SAND	UNIT STONE
10MPa	2	3,5	3,5
15MPa	2	3	3
20MPa	2	2,5	2,5
30MPa	2	2	2

NO. DATE REVISION DRAWN

NO.	DATE	REVISION	DRAWN
1	19/03/13	FOR APPROVAL	S.Z.
2	11/09/14	FOR APPROVAL	S.Z.
3	28/02/14	FOR APPROVAL	S.Z.
4	14/03/14	FOR APPROVAL	S.Z.
5	18/03/14	FOR APPROVAL	S.Z.



CLIENT
DEPARTMENT of EDUCATION
PROVINCE OF KWAZULU-NATAL

TECHNICAL CONSULTANT
Iluu Consultants
16 Davidson Road
Pretoria

**PO Box 493
New Germany
3620**
Tel: (051) 701 1000
Cell: 082 481 4954

PROJECT: SCHOOL SANITATION

TITLE: ABLUTIONS BLOCK : 2 MALE TEACHERS, 2 FEMALE TEACHERS, & 1 TEACHER DISABLED

DESCRIPTION: PLANS & SECTION DETAILS SCHEDULES

DRG No. : L1205 - 001 1 OF 12