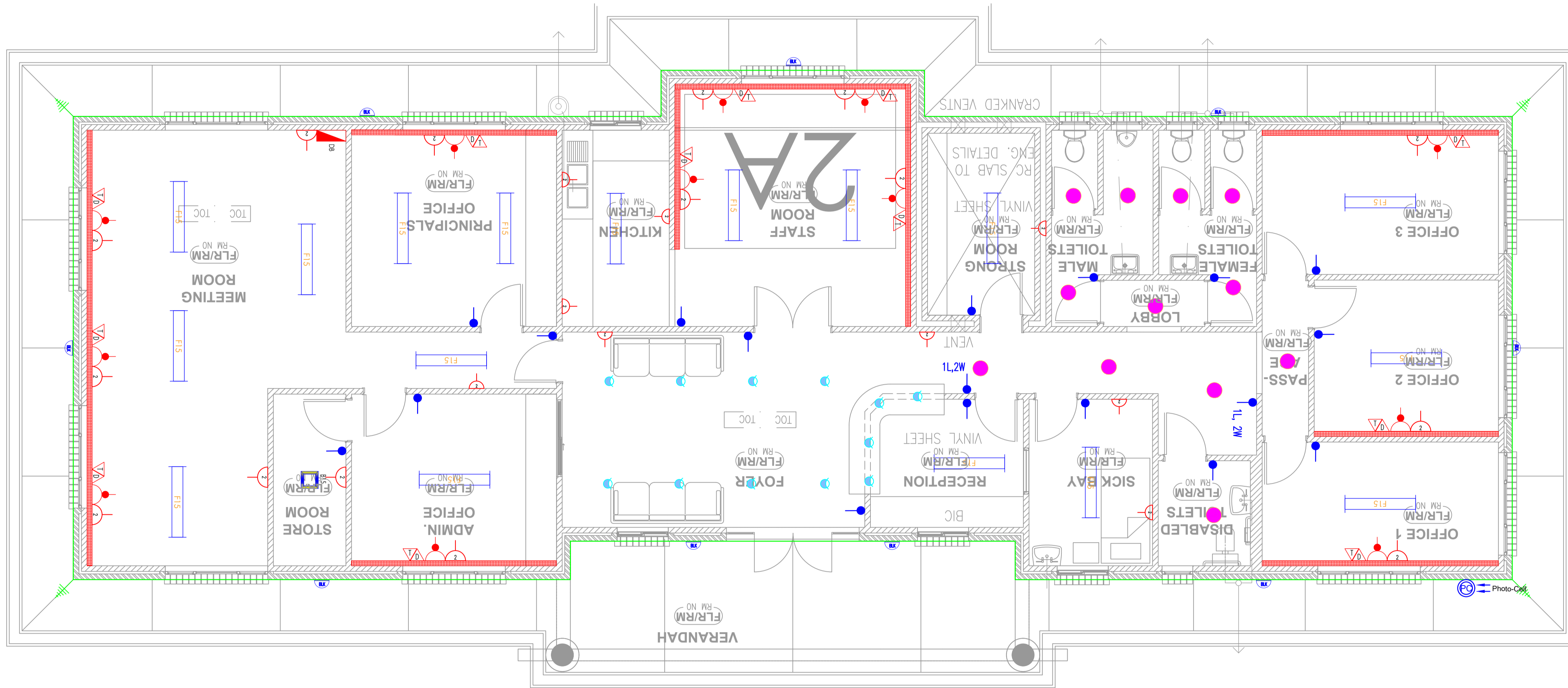


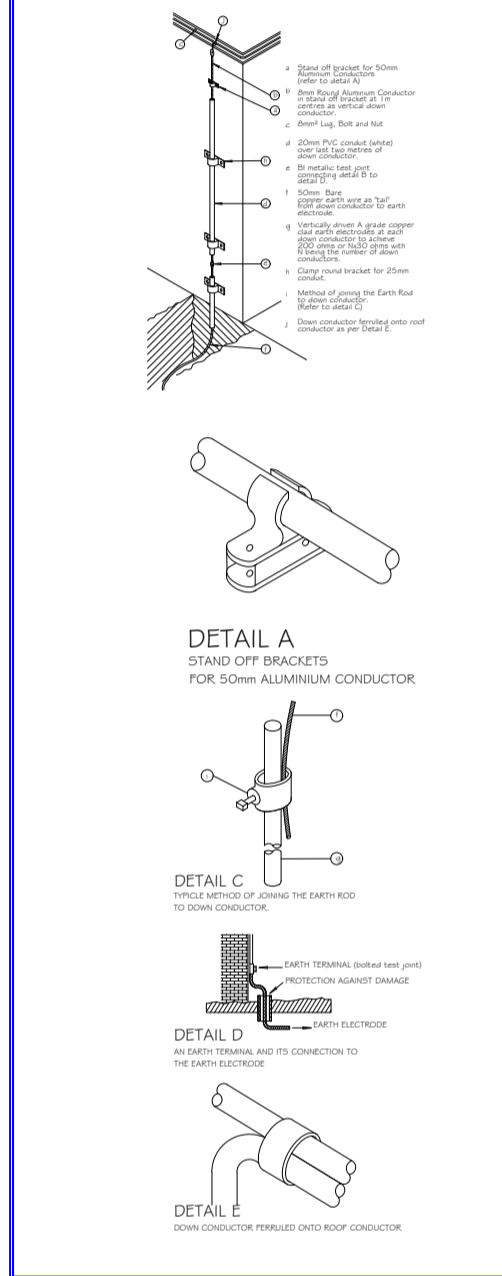
ADMINISTRATION BLOCK - ELECTRICAL DESIGN



LIGHTING LEGEND	
DATE:	
	One Way Switch
	Two Way Switch
	D1, Down Lighter
	Water tight Down Lighter
	Chandeler point
	D2, Tilt Down Lighter
	F3, 60W LED Fitting
	F15, 40W Vapour Proof LED Fitting
	25W, Square LED Light Fitting
	Round Bulkhead
	Photo Cell
	Extractor fan

POWER LEGEND	
DATE:	
	SINGLE SOCKET OUTLET (NORMAL)
	THIN SOCKET OUTLET (NORMAL)
	SINGLE SWITCHED WATER PROOF SOCKET OUTLET
	SINGLE SWITCHED DEDICATED SOCKET OUTLET
	TELEPHONE POINT OUTLET
	DATA POINT OUTLET
	POWER SKIRTING
	DISTRIBUTION BOARD REF TO INDICATE CIRCUITS
	DISTRIBUTION BOARD REF TO INDICATE CIRCUITS

LIGHTING PROTECTION LEGEND



GENERAL NOTES

1.1 This drawing is issued ONLY for the SERVICE INDICATED in the Workbook For Construction details refer to Architectural & coordinated drawings.

1.2 The ELECTRICAL CONTRACTOR shall be solely responsible for co-ordination of this installation with those of the other sub trades.

1.3 The installation shown on the drawing shall be undertaken in strict accordance with the STANDARD SPECIFICATION, SECTION C, unless expressly stated to the contrary.

1.4 The information given hereunder has been abstracted from the above and is provided for ease of reference, but in no way does it replace the contents of Section C or the detailed specification which shall take precedence.

2. OUTLET REFERENCES USED IN SCHEDULE OF OUTLETS & DRAWING

Notes & Clarification: The prefix combination of capital letters & numbers (S) of any outlet refers to the distribution boards (DB) from which it is fed.

The next numeral(s) indicates the circuit number and subsequent one after the point to the outlet on the circuit.

eg: SDB-A P3 R 01 = outlet 1 on circuit P3 fed from DB-SDB-A

3. MOUNTING HEIGHTS - UNLESS SHOWN OR SPECIFIED TO THE CONTRARY

All mounting heights shall be finished floor to bottom of outlet box.

Switches: 1400mm generally or 1000mm kitchens

socket outlets: 200mm generally

1000mm kitchen-domestic

1400mm kitchen / commercial

Distribution boards: generally door head height OR 2000mm where no such reference exists.

4. WIRE SIZES - UNLESS SHOWN OR SPECIFIED TO THE CONTRARY

TYPE OF CIRCUIT	LOADING	CONDUCTOR SIZE
lighting	- SA	1.5mm ²
socket outlets - SA		2.5mm ²
space heaters up to 3kW		2.5mm ²
water heaters / geysers up to 4kW		4mm ²
stoves up to 12kW (single phase)		10mm ²
motors up to 2.2kW (single phase)		2.5mm ²
motors up to 4kW (three phase)		2.5mm ²
low voltage circuits, bells etc.		2.5mm ²

5. Abbreviations

SSO - Switched Socket Outlet
SO - Socket outlet (un-switched)
DSD - double Switched Socket in one outlet box
AFL - Above Finished Floor Level
CCTV - Closed Circuit Television
DB - Distribution board
Tel - Telephone board
A - Amp
V - Volt

DRAWING STATUS

Description	Approved AS, BY
Issued For Concept Only	
Issued For Information Only	
Issued For Preliminary Only	
Issued For Construction	
Issued For Final Construction	
AS Built Drawing	

0 0.1 1 2 3 4 5 6 7 8 9 10

NO.	DATE	AMENDMENT	ENG.

Copyright vests in the Department of Education

preliminary drawings

certified preliminary drawings as per Centralized Drawing Archive PRELIMINARY DRAWING REQUIREMENTS

name: _____

cost file name: _____

sheet NO: A 1

Sponsor

Electrical / Mech. Engineer

REG NO.: CK 3005/10743702

MTHATHA OFFICE	EAST LONDON OFFICE	KORSTAD OFFICE
38 Ntshaba Street Southernwood Mthatha, 5100	26 Rhodes Street Gugulethu East London 5201	13 Hawthorn Street Kokstad 4700
Tel: +27 47 531 1189 Fax: +27 47 531 1188	Tel: +27 43 742 6023 Fax: +27 43 742 3023	Tel: +27 39 727 4823 Fax: +27 39 727 1995

discipline: ELECTRICAL ENGINEER

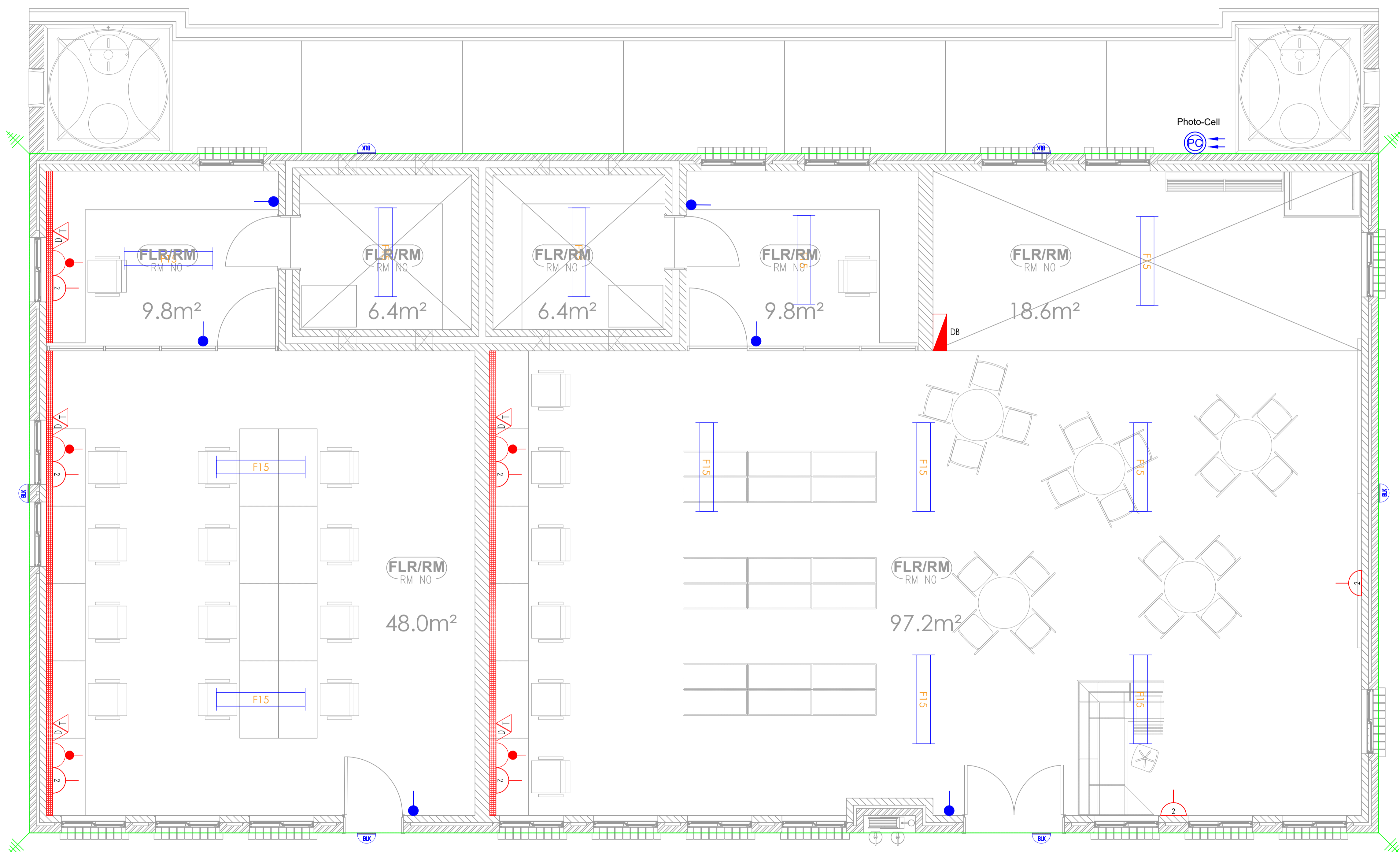
service: SIVE SPECIAL SCHOOL: PHASE II

WCS number: _____

drawing title: ADMINISTRATION BLOCK: ELECTRICAL DESIGN LAYOUT

ref. no.	designed
01	Mr. S. Bam
scale	drawn
N.T.S	Mr. S. Nonkondo
date	checked
May 2023	Mr. A. Myathaza
drawing number	
EE 0031/ED/01	

RESOURCE CENTRE BLOCK - ELECTRICAL DESIGN

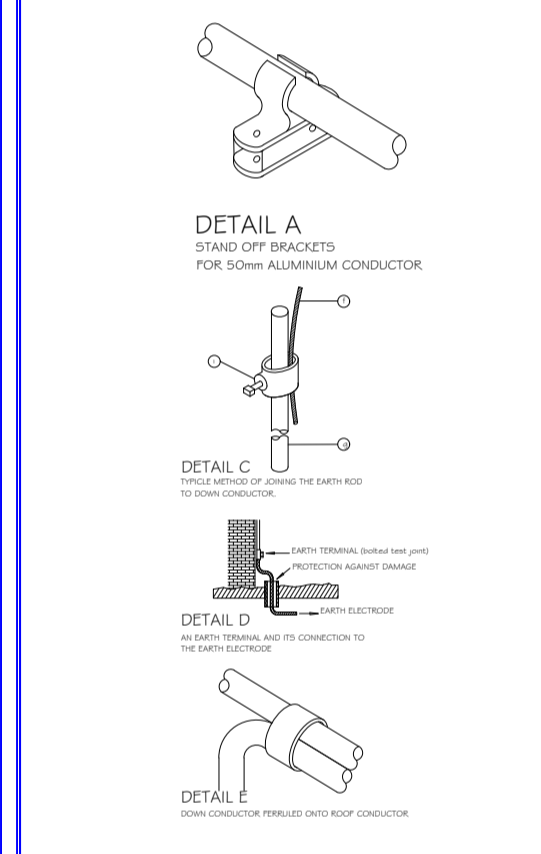
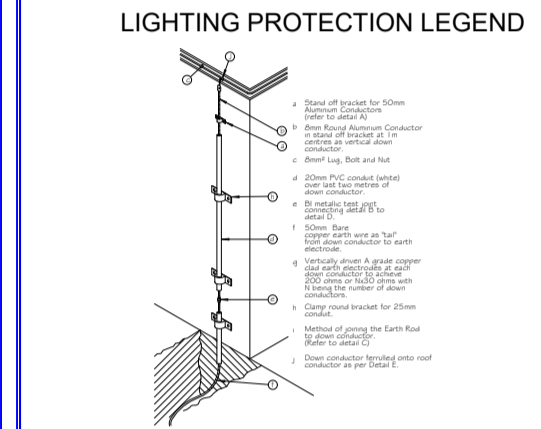


LIGHTING LEGEND
DATE:

	One Way Switch
	Two Way Switch
	D1, Down Lighter
	Water tight Down Lighter
	Chandelier point
	D2, Tilt Down Lighter
	F3, 60W LED Fitting
	F15, 40W Vapour Proof LED Fitting
	Z5W, Square LED Light Fitting
	Round Bulkhead
	Photo Cell
	Extractor fan

POWER LEGEND
DATE:

	SINGLE SOCKET OUTLET (NORMAL)
	TWIN SOCKET OUTLET (NORMAL)
	SINGLE SWITCHED WATER PROOF SOCKET OUTLET
	SINGLE SWITCHED DEDICATED SOCKET OUTLET
	TELEPHONE POINT OUTLET
	DATA POINT OUTLET
	POWER SKIRTING
	DISTRIBUTION BOARD REF TO INDICATE CIRCUITS
	DISTRIBUTION BOARD REF TO INDICATE CIRCUITS



GENERAL NOTES

- This drawing is issued ONLY for the SERVICE INDICATED in the title block. For Construction details refer to Architectural & coordinated drawings.
- The ELECTRICAL CONTRACTOR shall be solely responsible for co-ordination of this installation with those of the other sub trades.
- The installation shown on the drawing shall be undertaken in strict accordance with the STANDARD SPECIFICATION, SECTION C, unless expressly stated to the contrary.
- The information given hereunder has been abstracted from the above and is provided for ease of reference, but in no way does it replace the contents of Section C or the detailed specification which shall take precedence.

2. OUTLET REFERENCES USED IN SCHEDULE OF OUTLETS & DRAWING
 Outlet & Circuit: The prefix combination of capital letters & numeral (1) of any outlet refers to the distribution boards (db) from which it is fed.
 The next numeral(s) indicates the circuit number and subsequent ones after the point to the outlet on the circuit.
 eg. SDB-A F3 (1) 1 on circuit F3 fed from DB-SDB-A

3. MOUNTING HEIGHTS - UNLESS SHOWN OR SPECIFIED TO THE CONTRARY
 All mounting heights shall be finished floor to bottom of outlet box.
 Switches: 1400mm generally or 1000mm kitchens
 Socket outlets: 300mm generally
 1400mm kitchens - commercial
 Distribution boards: generally door head height OR 2000mm where no such reference exists.

4. WIRE SIZES - UNLESS SHOWN OR SPECIFIED TO THE CONTRARY

Type of Circuit	Conductor size
lighting	1.5mm ²
socket outlets - 16A	2.5mm ²
space heaters up to 3kW	4mm ²
water heaters / geysers up to 4kW	2.5mm ²
excess up to 15kW (single phase)	10mm ²
motors up to 2.2kW (single phase)	2.5mm ²
motors up to 4kW (three phase)	2.5mm ²
low voltage circuits, bells etc.	2.5mm ²

5. ABBREVIATIONS
 SDB - Switchgear Socket Outlet
 SO - Socket outlet (un-switched)
 DSD - Double Switched Socket in one outlet box
 AFL - Above Finished Floor Level
 CCTV - Closed Circuit Television
 DB - Distribution board
 Tel - Telephone board
 A - Amp
 V - Volt

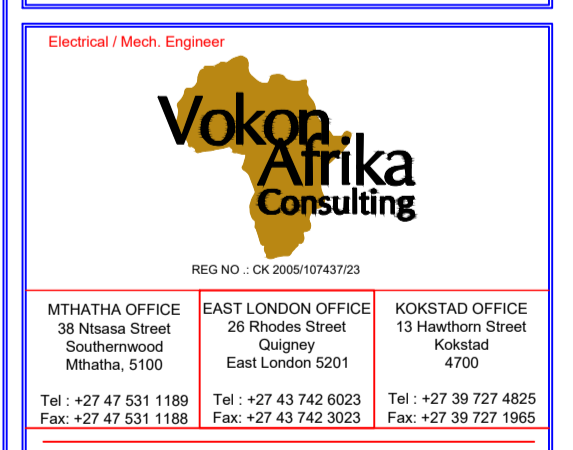
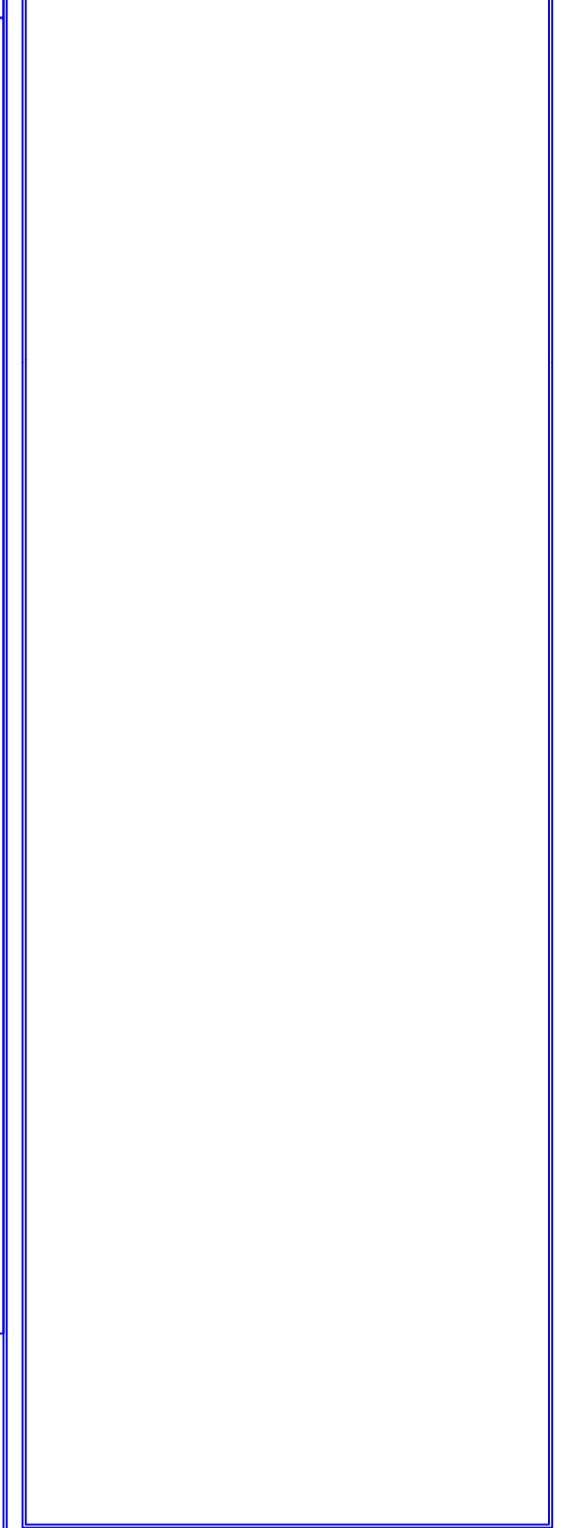
DRAWING STATUS

Description	Approved AS, BY
Issued For Concept Only	
Issued For Information Only	
Issued For Preliminary Only	
Issued For Construction	
Issued For Final Construction	
AS Built Drawing	

NO.	DATE	AMENDMENT	ENG.

Copyright vests in the Department of Education
 preliminary drawings
 certified preliminary drawings as per Centralized Drawings Archive PRELIMINARY DRAWING REQUIREMENTS
 name: _____

cost file name: _____ page 100
 A 1



ELECTRICAL ENGINEER

SIVE SPECIAL SCHOOL: PHASE II

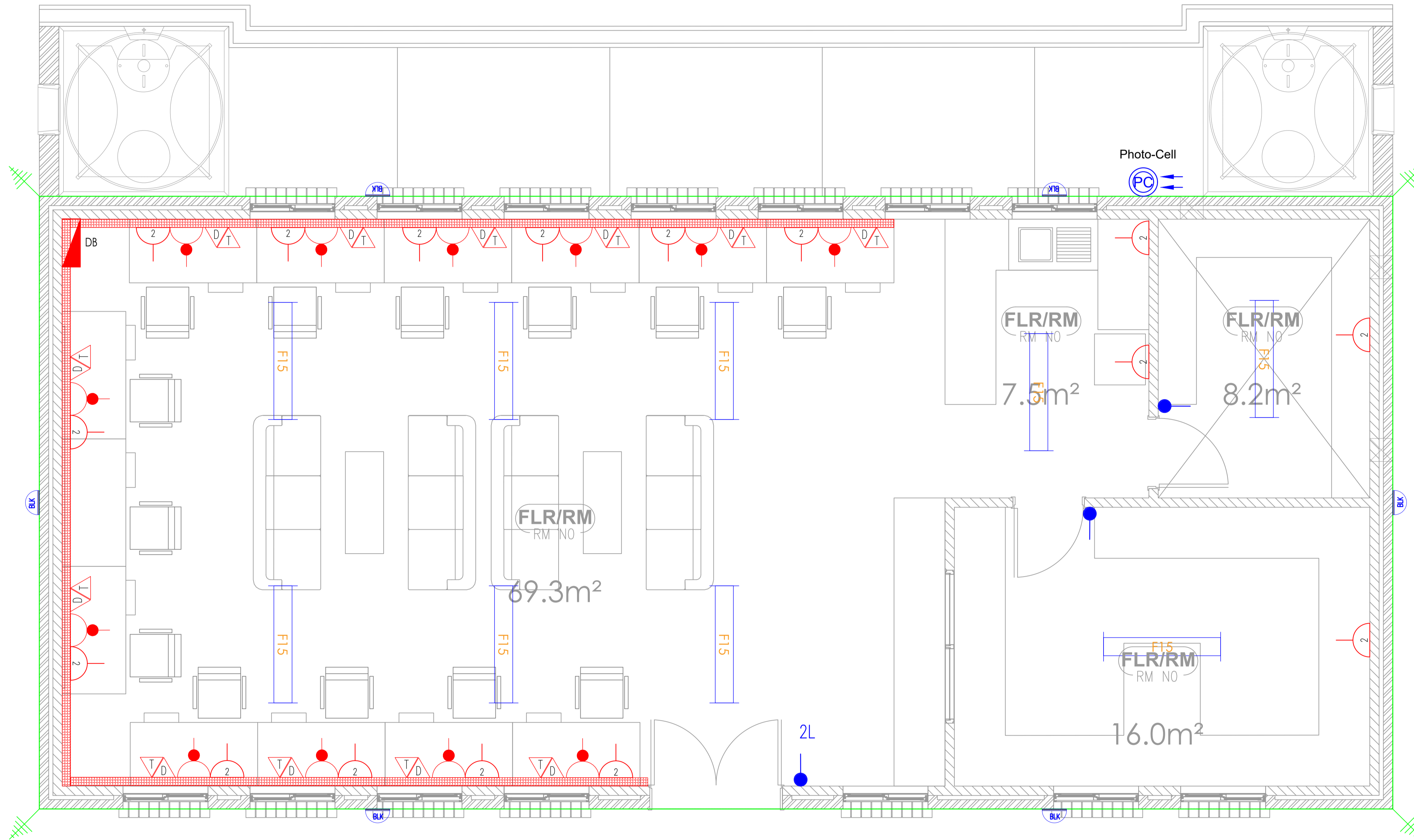
WCS number: _____
 drawing title: _____

RESOURCE CENTRE BLOCK: ELECTRICAL DESIGN LAYOUT

ref no. 01	designed Mr. S. Bam
scale N.T.S	drawn Mr. S. Nonkondo
date May 2023	checked Mr. A. Myathaza
drawing number	

EE 0031/ED/02

STAFF RESOURCE CENTRE BLOCK - ELECTRICAL DESIGN

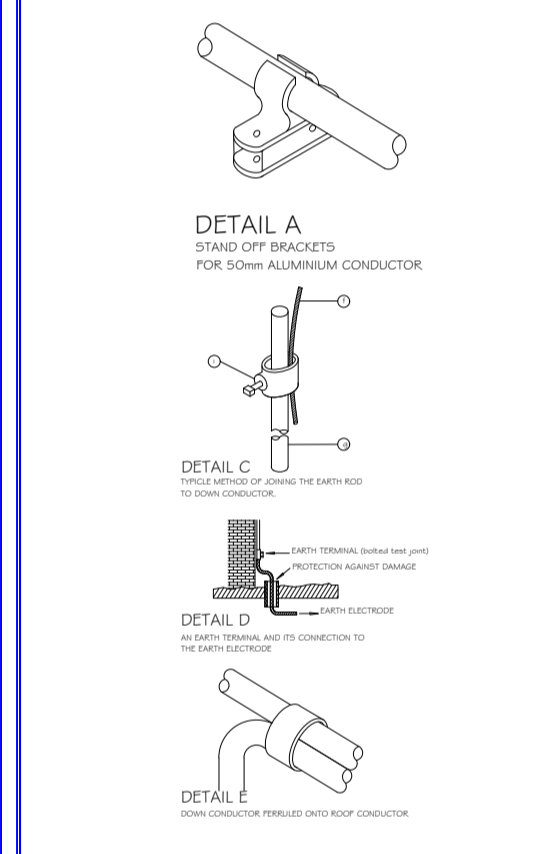
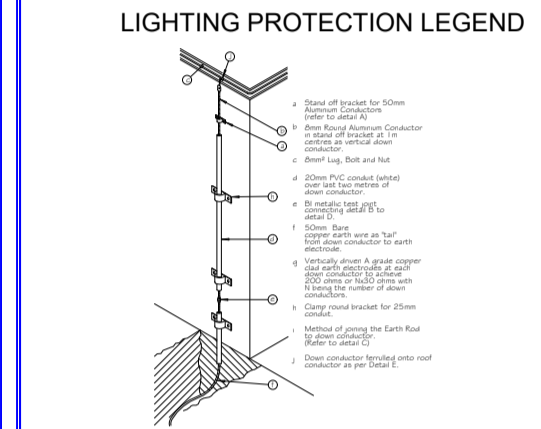


LIGHTING LEGEND
DATE:

	One Way Switch
	Two Way Switch
	D1, Down Lighter
	Water tight Down Lighter
	Chandelier point
	D2, Tilt Down Lighter
	F3, 60W LED Fitting
	F15, 40W Vapour Proof LED Fitting
	Z5W, Square LED Light Fitting
	Round Bulkhead
	Photo Cell
	Extractor fan

POWER LEGEND
DATE:

	SINGLE SOCKET OUTLET (NORMAL)
	TWIN SOCKET OUTLET (NORMAL)
	SINGLE SWITCHED WATER PROOF SOCKET OUTLET
	SINGLE SWITCHED DEDICATED SOCKET OUTLET
	TELEPHONE POINT OUTLET
	DATA POINT OUTLET
	POWER SKIRTING
	DISTRIBUTION BOARD REF TO INDICATE CIRCUITS
	DISTRIBUTION BOARD REF TO INDICATE CIRCUITS



GENERAL NOTES

1.1 This drawing is issued ONLY for the SERVICE INDICATED in the schedule. For Construction details refer to Architectural & coordinated drawings.

1.2 The ELECTRICAL CONTRACTOR shall be solely responsible for co-ordination of this installation with those of the other sub trades.

1.3 The installation shown on the drawing shall be undertaken in strict accordance with the STANDARD SPECIFICATION, SECTION C, unless expressly stated to the contrary.

1.4 The information given hereunder has been abstracted from the above and is provided for ease of reference, but in no way does it replace the contents of Section C or the detailed specification which shall take precedence.

2. **OUTLET DIFFERENCES USED IN SCHEDULE OF OUTLETS & DRAWING**
 S1 - Socket outlet (un-switched)
 S2 - Socket outlet (switched)
 S3 - Socket outlet (switched) in one outlet box
 S4 - Above Finished Floor Level
 S5 - Closest Ceiling
 S6 - Distribution board
 S7 - Telephone board
 S8 - Amp
 S9 - Volt

3. **WIRE SIZES - UNLESS SHOWN OR SPECIFIED TO THE CONTRARY**

Type of Circuit	Conductor size
lighting	1.5mm ²
socket outlets - 16A	2.5mm ²
space heaters up to 3kW	4mm ²
water heaters / geysers up to 4kW	2.5mm ²
motors up to 2.2kW (single phase)	10mm ²
motors up to 4kW (three phase)	2.5mm ²
low voltage circuits, bells etc	2.5mm ²

4. **Abbreviations**
 SDO - Standard Socket Outlet
 SO - Socket outlet (un-switched)
 DSD - Double Switched Socket in one outlet box
 AFL - Above Finished Floor Level
 CCTV - Closest Ceiling
 DB - Distribution board
 Tel - Telephone board
 A - Amp
 V - Volt

DRAWING STATUS

Description	Approved AS, BY
Issued For Concept Only	
Issued For Information Only	
Issued For Preliminary Only	
Issued For Construction	
Issued For Final Construction	
AS Built Drawing	

ref no. 01 designed Mr. S. Bam
 scale N.T.S drawn Mr. S. Nonkondo
 date May 2023 checked Mr. A. Myathaza
 drawing number EE 0031/ED/03

NO.	DATE	AMENDMENT	ENG.

Copyright vests in the Department of Education

preliminary drawings

certified preliminary drawings as per Centralized Drawing Archive PRELIMINARY DRAWING REQUIREMENTS

name: _____

cost file name: _____ page 1000

A 1

idT
Independent Development Trust

Vokon Afrika Consulting
REG NO.: CK 2005/107437/23

Electrical / Mech. Engineer

MTHATHA OFFICE 38 Ntshasa Street Southernwood Mthatha, 5100	EAST LONDON OFFICE 26 Rhodes Street Gugulethu East London 6001	KORSTAD OFFICE 13 Hawthorn Street Korstad 4700
---	--	--

Tel: +27 47 531 1189 Fax: +27 47 531 1188
 Tel: +27 43 742 6023 Fax: +27 43 742 3023
 Tel: +27 36 727 4825 Fax: +27 36 727 1965

discipline **ELECTRICAL ENGINEER**

service **SIVE SPECIAL SCHOOL: PHASE II**

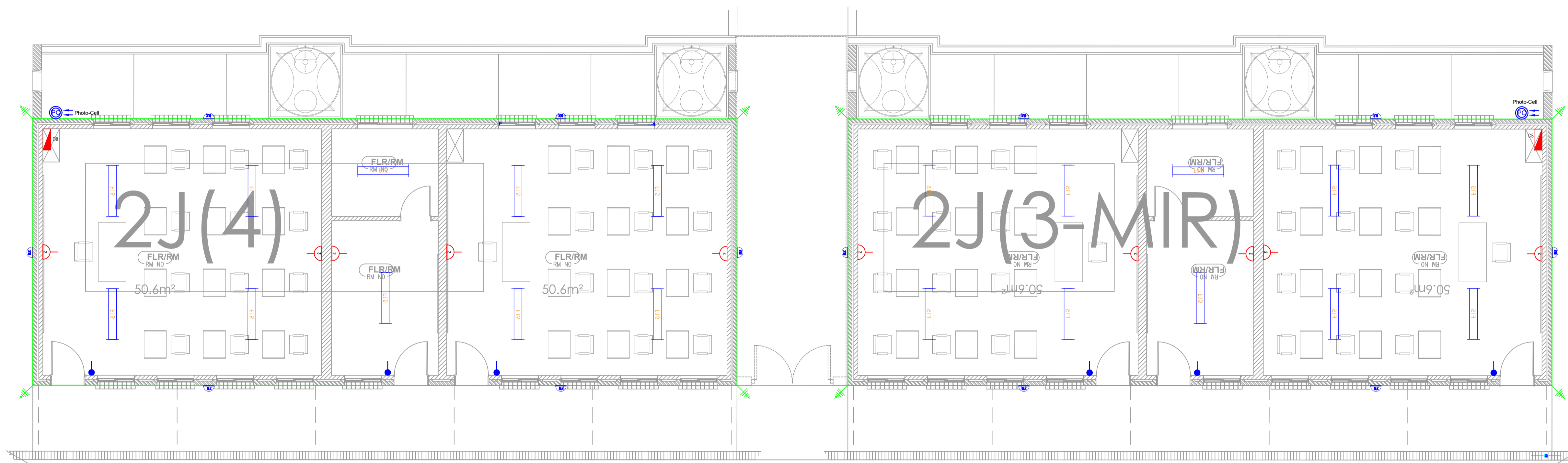
WCS number _____
 drawing file _____

STAFF RESOURCE CENTRE BLOCK: ELECTRICAL DESIGN LAYOUT

STAFF RESOURCE CENTRE BLOCK: ELECTRICAL DESIGN LAYOUT

ref no. 01 designed Mr. S. Bam
 scale N.T.S drawn Mr. S. Nonkondo
 date May 2023 checked Mr. A. Myathaza
 drawing number EE 0031/ED/03

2- CLASSROOM & HOD BLOCK (2J2) - ELECTRICAL DESIGN

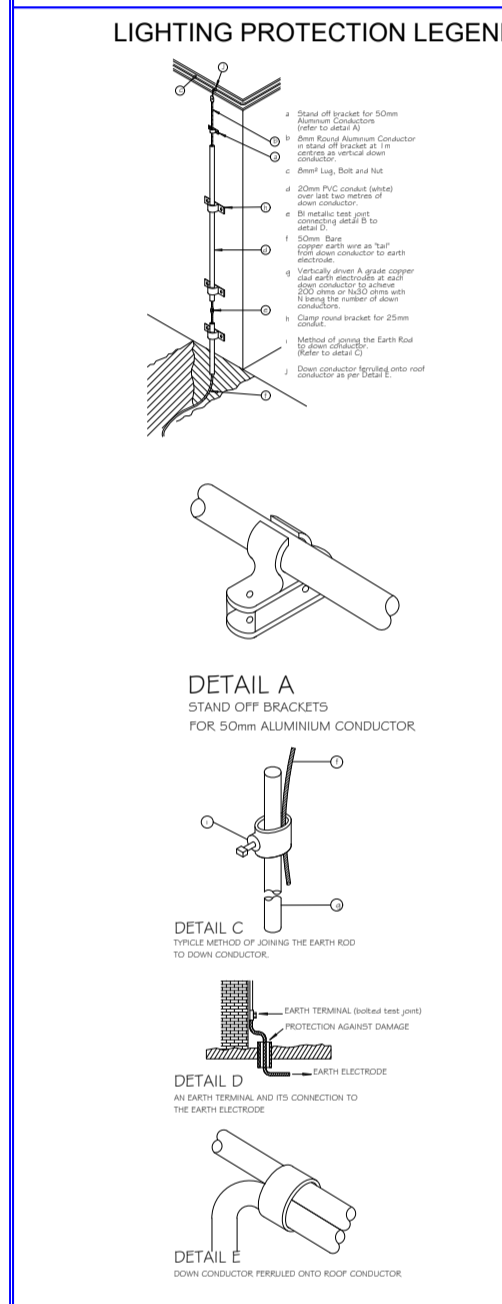


LIGHTING LEGEND
DATE:

	One Way Switch
	Two Way Switch
	D1, Down Lighter
	Water tight Down Lighter
	Chandelier point
	D2, Tilt Down Lighter
	F3, 60W LED Fitting
	F15, 40W Vapour Proof LED Fitting
	Z5W, Square LED Light Fitting
	Round Bulkhead
	Photo Cell
	Extractor fan

POWER LEGEND
DATE:

	SINGLE SOCKET OUTLET (NORMAL)
	TWIN SOCKET OUTLET (NORMAL)
	SINGLE SWITCHED WATER PROOF SOCKET OUTLET
	SINGLE SWITCHED DEDICATED SOCKET OUTLET
	TELEPHONE POINT OUTLET
	DATA POINT OUTLET
	POWER SOCKETS
	DISTRIBUTION BOARD REF TO INDICATE CIRCUITS
	DISTRIBUTION BOARD REF TO INDICATE CIRCUITS



GENERAL NOTES

- This drawing is issued ONLY for the SERVICE INDICATED in the Schedule. For Construction Details refer to Architecture & co-ordinated drawings.
- The ELECTRICAL CONTRACTOR shall be solely responsible for co-ordination of this installation with those of the other sub trades.
- The installation shown on the drawing shall be undertaken in strict accordance with the STANDARD SPECIFICATION: SECTION C, unless expressly stated to the contrary.
- The information given hereunder has been abstracted from the above and is provided for ease of reference, but in no way does it replace the contents of Section C or the detailed specification which shall take precedence.

2. OUTLET REFERENCES USED IN SCHEDULE OF OUTLETS & LIGHTING
The first numeral(s) indicates the circuit number and subsequent ones after the point to the outlet on the circuit.
eg: SDB-A P1 R 01 = outlet 1 on circuit P1 fed from DB-SDB-A

3. MOUNTING HEIGHTS - UNLESS SHOWN OR SPECIFIED TO THE CONTRARY
38 mounting heights shall be finished floor to bottom of outlet box.
Switches: 1400mm generally or 1000mm kitchens
Socket outlets: 300mm generally
1400mm factories
1300mm kitchens/commercial
1400mm kitchen / commercial
Distribution boards: generally door head height OR 2000mm where no such reference exists.

4. WIRE SIZES - UNLESS SHOWN OR SPECIFIED TO THE CONTRARY

TYPE OF CIRCUIT	WIRE SIZE
Lighting	2.5mm²
socket outlets - 16A	2.5mm²
- 5A lighting	4mm²
space heaters up to 3kW	4mm²
water heaters / geysers up to 4kW	2.5mm²
motors up to 1.5kW (single phase)	10mm²
motors up to 2.2kW (single phase)	2.5mm²
motors up to 4kW (three phase)	2.5mm²
low voltage circuits, bells etc	2.5mm²

5. Abbreviations
SBO - Switched Socket Outlet
SOU - Socket outlet (unswitched)
DSD - double Switched Socket in one outlet box
AFL - Above Finished Floor Level
CCTV - Closed Circuit Television
DB - Distribution board
Tel. - Telephone board
V - Vain

DRAWING STATUS

Description	Approved AS, BY
Issued For Concept Only	
Issued For Information Only	
Issued For Preliminary Only	
Issued For Construction	
Issued For Final Construction	
AS Built Drawing	

ref no.	01	designed	Mr. S. Bam
scale	N.T.S	drawn	Mr. S. Nonkondo
date	May 2023	checked	Mr. A. Myathaza
drawing number	EE 0031/ED/04		

No.	DATE	AMENDMENT	ENG

Copyright vests in the Department of Education

preliminary drawings

certified preliminary drawings as per Centralized Drawing Archive PRELIMINARY DRAWING REQUIREMENTS

name: _____

cost file name: _____ page 100

A 1

idT
Infrastructure Development Trust

Vokon Africa Consulting
REG NO.: CK 2005/107437/20

MTHATHA OFFICE 38 Ntshaba Street Southernwood Mthatha, 5100	EAST LONDON OFFICE 26 Rhodes Street Gugulethu East London 6001	KORSTAD OFFICE 13 Hawthorn Street Korstad 4700
---	--	--

Tel: +27 47 531 1189 Fax: +27 47 531 1188 Tel: +27 43 742 6023 Fax: +27 43 742 3023 Tel: +27 39 727 4825 Fax: +27 39 727 1995

Discipline: **ELECTRICAL ENGINEER**

Service: **SIVE SPECIAL SCHOOL: PHASE II**

WCS number: _____

drawing file: _____

2-CLASSROOM & HOD BLOCK (2J2): ELECTRICAL DESIGN LAYOUT

idT
Infrastructure Development Trust

Vokon Africa Consulting
REG NO.: CK 2005/107437/20

MTHATHA OFFICE 38 Ntshaba Street Southernwood Mthatha, 5100	EAST LONDON OFFICE 26 Rhodes Street Gugulethu East London 6001	KORSTAD OFFICE 13 Hawthorn Street Korstad 4700
---	--	--

Tel: +27 47 531 1189 Fax: +27 47 531 1188 Tel: +27 43 742 6023 Fax: +27 43 742 3023 Tel: +27 39 727 4825 Fax: +27 39 727 1995

Discipline: **ELECTRICAL ENGINEER**

Service: **SIVE SPECIAL SCHOOL: PHASE II**

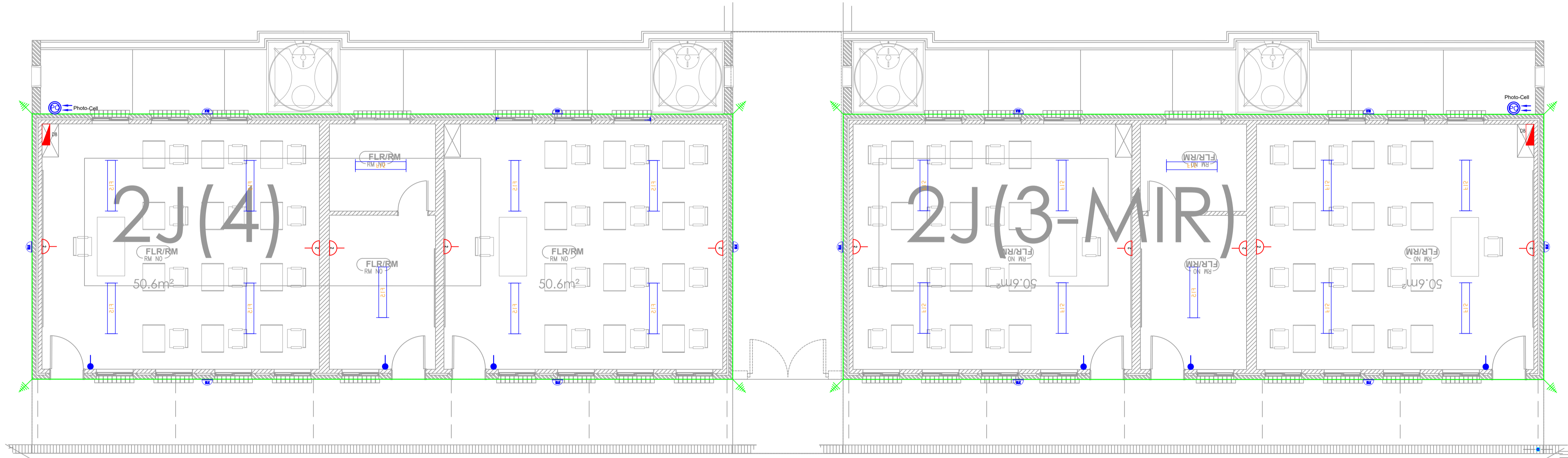
WCS number: _____

drawing file: _____

2-CLASSROOM & HOD BLOCK (2J2): ELECTRICAL DESIGN LAYOUT

ref no.	01	designed	Mr. S. Bam
scale	N.T.S	drawn	Mr. S. Nonkondo
date	May 2023	checked	Mr. A. Myathaza
drawing number	EE 0031/ED/04		

2- CLASSROOM & HOD BLOCK (2J1) - ELECTRICAL DESIGN

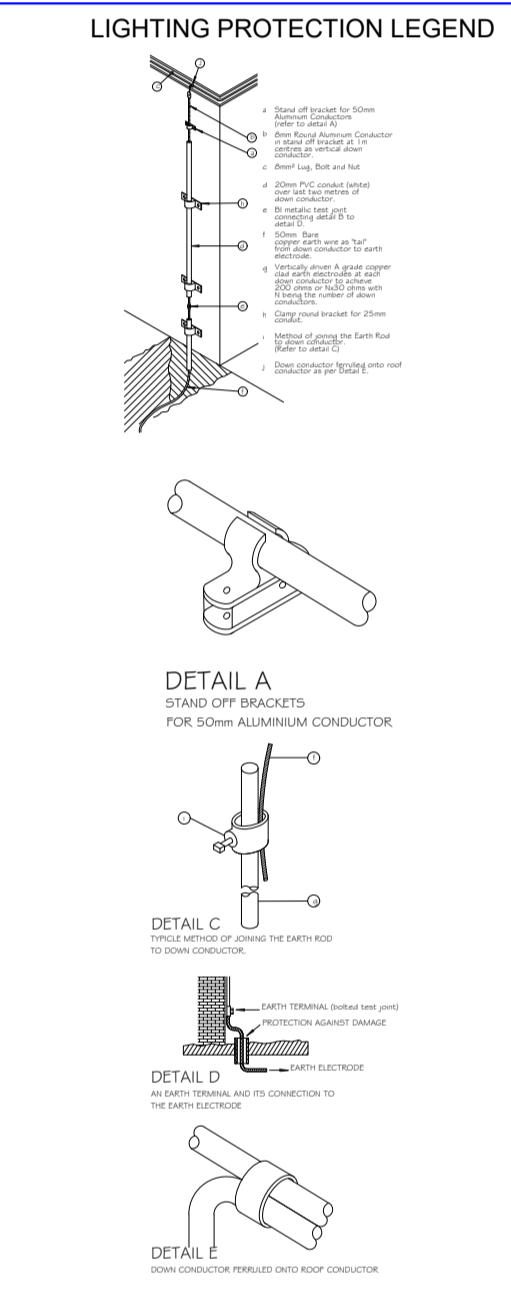


LIGHTING LEGEND
DATE:

	One Way Switch
	Two Way Switch
	D1, Down Lighter
	Water tight Down Lighter
	Chandelier point
	D2, Tilt Down Lighter
	F3, 60W LED Fitting
	F15, 40W Vapour Proof LED Fitting
	25W, Square LED Light Fitting
	Round Bulkhead
	Photo Cell
	Extractor fan

POWER LEGEND
DATE:

	SINGLE SOCKET OUTLET (NORMAL)
	TWIN SOCKET OUTLET (NORMAL)
	SINGLE SWITCHED WATER PROOF SOCKET OUTLET
	SINGLE SWITCHED DEDICATED SOCKET OUTLET
	TELEPHONE POINT OUTLET
	DATA POINT OUTLET
	POWER SOURCING
	DISTRIBUTION BOARD REF TO INDICATE CIRCUITS
	DISTRIBUTION BOARD REF TO INDICATE CIRCUITS



GENERAL NOTES

- This drawing is issued ONLY for the SERVICE INDICATED in the Schedule. For Construction Details refer to Architecture & co-ordinated drawings.
- The ELECTRICAL CONTRACTOR shall be solely responsible for co-ordination of this installation with those of the other sub trades.
- The installation shown on the drawing shall be undertaken in strict accordance with the STANDARD SPECIFICATION: SECTION C, unless expressly stated to the contrary.
- The information given hereunder has been abstracted from the above and is provided for ease of reference, but in no way does it replace the contents of Section C or the detailed specification which shall take precedence.

2. OUTLET REFERENCES USED IN SCHEDULE OF OUTLETS & LIGHTING
NUMBERS & CIRCLES the prefix combination of capital letters & numbers (if of any outlet refers to the distribution board (s) from which it is fed.
 The next numeral(s) indicates the circuit number and subsequent ones after the point to the outlet on the circuit.
 eg: SDB-A P15 D1 = outlet 1 on circuit P15 fed from DB-SDB-A

3. MOUNTING HEIGHTS - UNLESS SHOWN OR SPECIFIED TO THE CONTRARY
 All mounting heights shall be finished floor to bottom of outlet box.
 Switches: 1400mm generally or 1000mm kitchens
 Socket outlets: 300mm generally
 1400mm factories
 1300mm kitchens/commercial
 1400mm kitchen / commercial
 Distribution boards: generally door head height OR 2000mm where no such reference exists.

4. WIRE SIZES - UNLESS SHOWN OR SPECIFIED TO THE CONTRARY

TYPE OF CIRCUIT	SOCKET OUTLET
Lighting	2.5mm²
socket outlets - 16A	2.5mm²
- 5A lighting	4mm²
space heaters up to 3kW	4mm²
water heaters / geysers up to 4kW	2.5mm²
stoves up to 12kW (single phase)	10mm²
motors up to 2.2kW (single phase)	2.5mm²
motors up to 4kW (three phase)	2.5mm²
low voltage circuits, bells etc	2.5mm²

5. Abbreviations
 SSO - Switched Socket Outlet
 SDO - Socket outlet (unswitched)
 DSD - Double Switched Socket in one outlet box
 AFL - Above Finished Floor Level
 CCTV - Closed Circuit Television
 DB - Distribution board
 Tel - Telephone board
 A - Amp
 V - Volt

DRAWING STATUS

Description	Approved AS, BY
Issued For Concept Only	
Issued For Information Only	
Issued For Preliminary Only	
Issued For Construction	
Issued For Final Construction	
AS Built Drawing	

NO.	DATE	AMENDMENT	ENG.

Copyright vests in the Department of Education

preliminary drawings

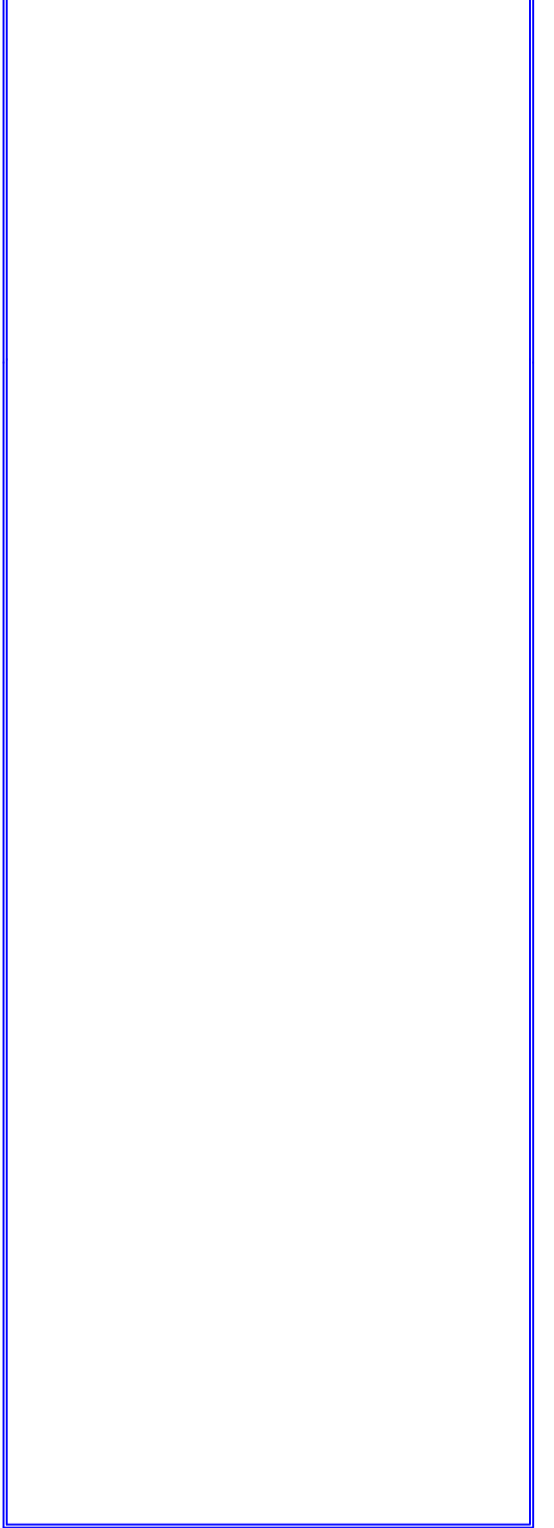
certified preliminary drawings as per Centralized Drawing Archive PRELIMINARY DRAWING REQUIREMENTS

name: _____

Cost file name: _____

page 100

A 1



Discipline: **ELECTRICAL ENGINEER**

service: **SIVE SPECIAL SCHOOL: PHASE II**

WCS number: _____

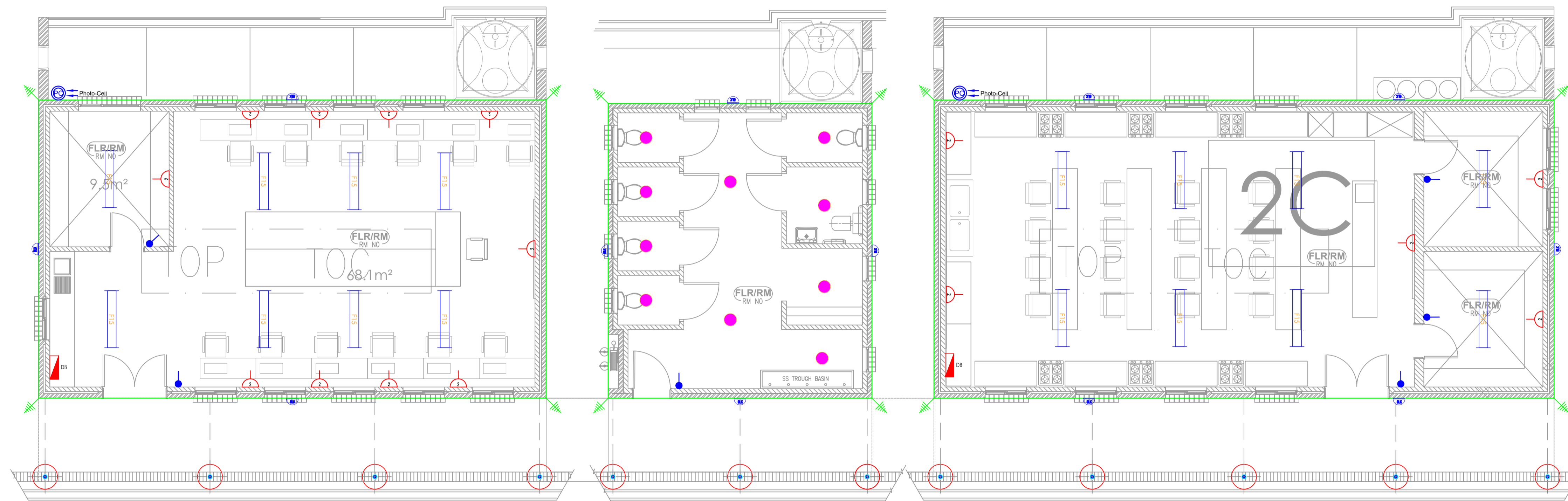
drawing file: _____

2-CLASSROOM & HOD BLOCK (2J1): ELECTRICAL DESIGN LAYOUT

ref no. 01	designed Mr. S. Bam
scale N.T.S	drawn Mr. S. Nonkondo
date: May 2023	checked Mr. A. Myathaza
drawing number	

EE 0031/ED/05

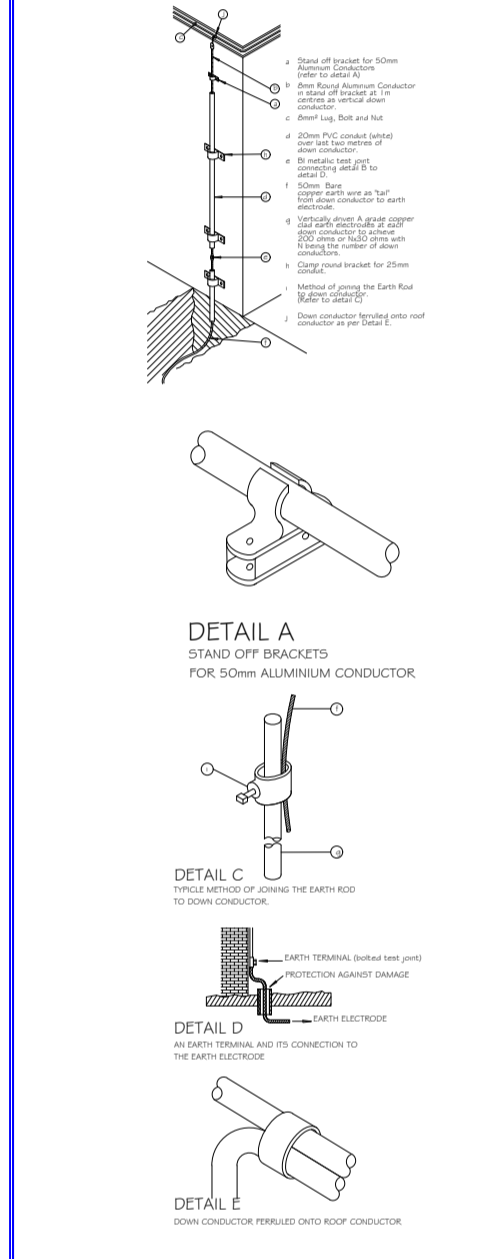
ARTS & CONSUMER STUDIES BLOCK - ELECTRICAL DETAIL



LIGHTING LEGEND	
DATE:	
	One Way Switch
	Two Way Switch
	D1, Down Lighter
	Water tight Down Lighter
	Chandelier point
	D2, Tilt Down Lighter
	F3, 60W LED Fitting
	F15, 40W Vapour Proof LED Fitting
	Z5W, Square LED Light Fitting
	Round Bulkhead
	Photo Cell
	Extractor fan

POWER LEGEND	
DATE:	
	SINGLE SOCKET OUTLET (NORMAL)
	TWIN SOCKET OUTLET (NORMAL)
	SINGLE SWITCHED WATER PROOF SOCKET OUTLET
	SINGLE SWITCHED DEDICATED SOCKET OUTLET
	TELEPHONE POINT OUTLET
	DATA POINT OUTLET
	POWER SCRIBING
	DISTRIBUTION BOARD REF TO INDICATE CIRCUITS
	DISTRIBUTION BOARD REF TO INDICATE CIRCUITS

LIGHTING PROTECTION LEGEND



GENERAL NOTES

- This drawing is issued ONLY for the SERVICE INDICATED in the Itelstock For Construction details refer to Architectural & coordinated drawings.
- The ELECTRICAL CONTRACTOR shall be solely responsible for coordination of this installation with those of the other sub trades.
- The installation shown on the drawing shall be undertaken in strict accordance with the STANDARD SPECIFICATION SECTION C, unless expressly stated to the contrary.
- The information given hereunder has been abstracted from the above and is provided for ease of reference, but in no way does it replace the contents of Section C or the detailed specification which shall take precedence.

2. OUTLET REFERENCES USED IN SCHEDULE OF OUTLETS & WIRING

Outlets & Circuits are the prefix combination of capital letters & numeral (s) of any outlet refers to the distribution boards (DB) from which it is fed.

The red numeral(s) indicates the circuit number and subsequent ones after the point to the outlet on the circuit.

eg: 100A-DB-R1-01 - outlet 1 on circuit R1 fed from DB-SDB-A

3. MOUNTING HEIGHTS - UNLESS SHOWN OR SPECIFIED TO THE CONTRARY

All mounting heights shall be finished four to bottom of outlet box.

Switches: 1400mm generally or 1500mm kitchens

Socket outlets: 300mm generally

1400mm factories

1400mm kitchen/dormers

1400mm kitchen / commercial

Distribution boards: generally door head height OR 2000mm where no such reference exists.

4. WIRE SIZES - UNLESS SHOWN OR SPECIFIED TO THE CONTRARY

Table of Circuit Conductors

Type of Circuit	Conductor Size
lighting	1.5mm ²
socket outlets - 15A	2.5mm ²
socket outlets - 15A lighting	2.5mm ²
socket outlets up to 15A	4mm ²
water heaters / geysers up to 40W	2.5mm ²
stoves up to 12kW (single phase)	10mm ²
motors up to 2.2kW (single phase)	2.5mm ²
motors up to 4kW (three phase)	2.5mm ²
low voltage circuits, bells etc	2.5mm ²

5. Abbreviations

SDB - Switched Socket Outlet

SO - Socket outlet (unswitched)

DLO - Double Switched Socket Outlet (one outlet box)

AFFL - Above Finished Floor Level

CTV - Closed Circuit Television

DB - Distribution board

TB - Telephone board

A - Any

V - Volt

DRAWING STATUS

Description	Approved AS, BY
Issued For Concept Only	
Issued For Information Only	
Issued For Preliminary Only	
Issued For Construction	
Issued For Final Construction	
AS Built Drawing	

0 0.5 1 2 3 4 5 6 7 8 9 10 m

No.	DATE	AMENDMENT	ENG

Copyright vests in the Department of Education

preliminary drawings

certified preliminary drawings as per Centralized Drawings Archive PRELIMINARY DRAWING REQUIREMENTS

name: _____

cost file name: _____

page 1000

A 1



Electrical / Mech. Engineer

Vokon Afrika Consulting

REG. NO.: CK 2005/10743/12

MTATHA OFFICE	EAST LONDON OFFICE	KORSTAD OFFICE
38 Ntassa Street Southernwood Mtshatha, 5100	26 Rhodes Street Capeury East London 5201	13 Hawthorn Street Kokstad 4700
Tel: +27 47 531 1189 Fax: +27 47 531 1188	Tel: +27 43 742 6023 Fax: +27 43 742 3023	Tel: +27 39 727 4825 Fax: +27 39 727 1995

discipline ELECTRICAL ENGINEER

service

**SIVE SPECIAL SCHOOL:
PHASE II**

WCS number

drawing file

**ARTS & CONSUMER STUDIES
ELECTRICAL DETAIL LAYOUT**

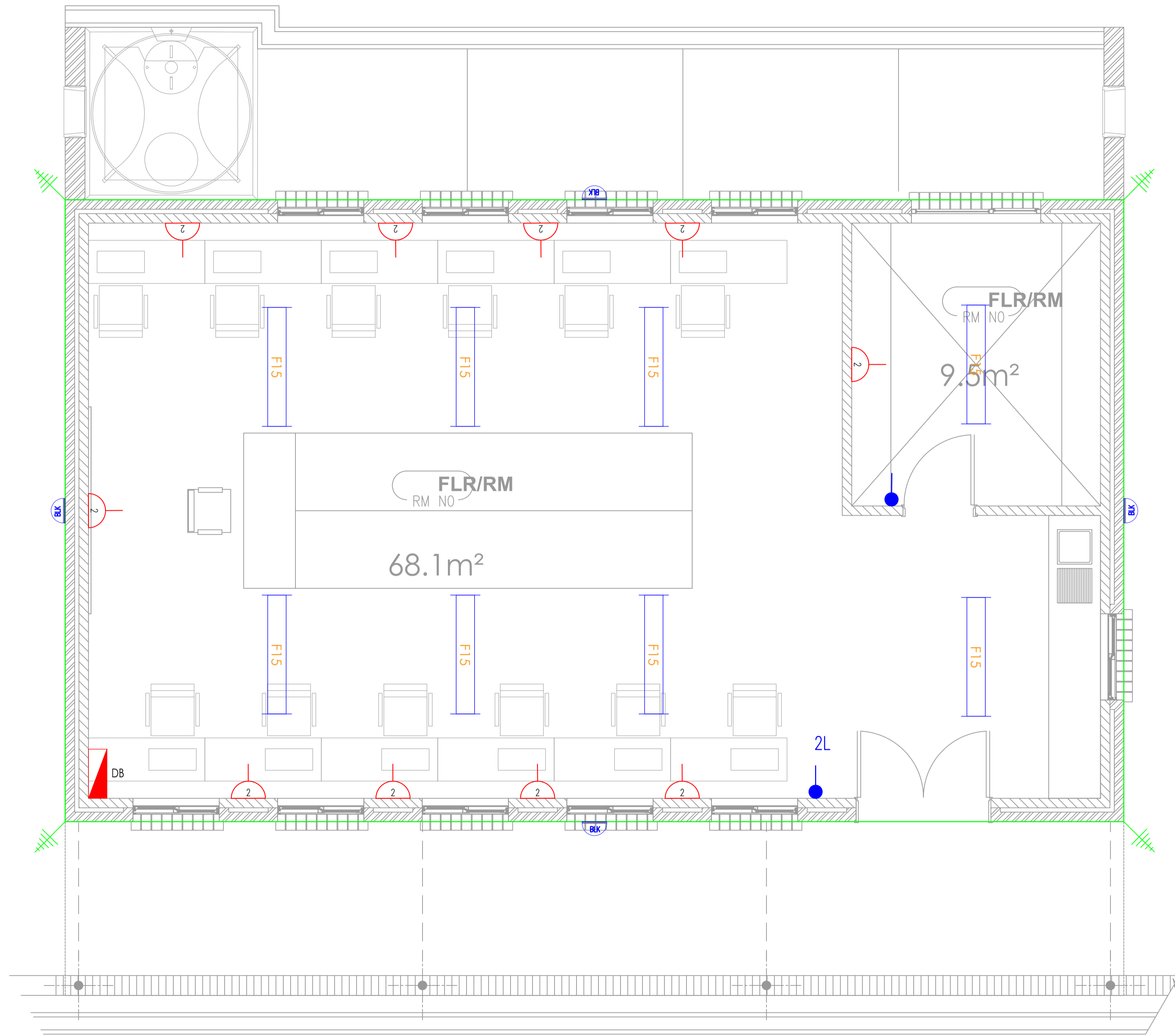
ref no. 01 designed Mr. S. Bam

scale N.T.S drawn Mr. S. Nonkondo

date May 2023 checked Mr. A. Myathaza

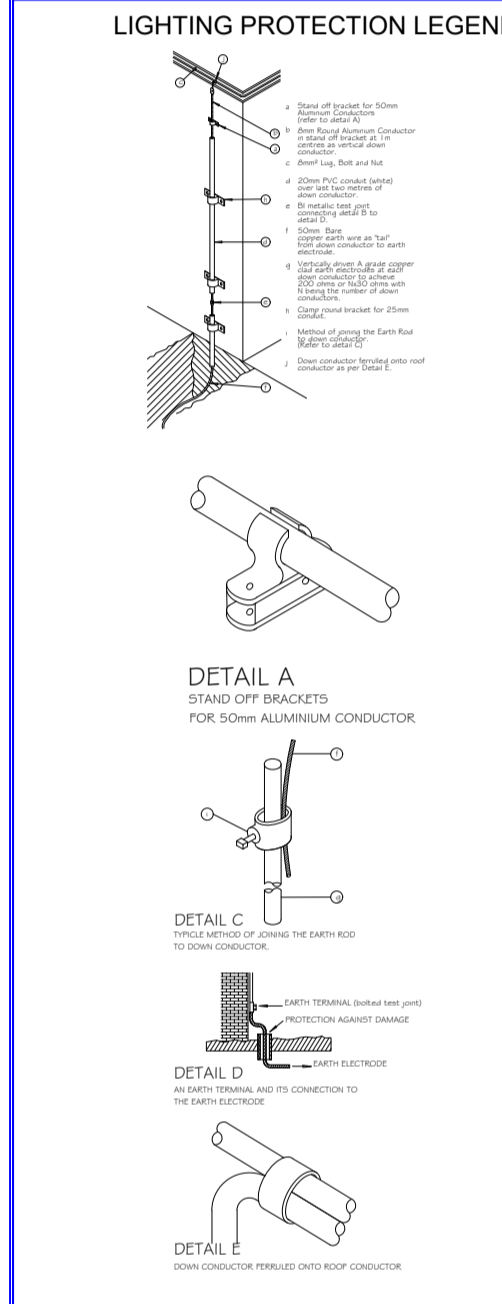
drawing number EE 0031/ED/07

2B (2-MIR)



LIGHTING LEGEND	
DATE:	
	One Way Switch
	Two Way Switch
	D1, Down Lighter
	Water tight Down Lighter
	Chandelier point
	D2, Tilt Down Lighter
	F3, 60W LED Fitting
	F15, 40W Vapour Proof LED Fitting
	Z5W, Square LED Light Fitting
	Round Bulkhead
	Photo Cell
	Extractor fan

POWER LEGEND	
DATE:	
	SINGLE SOCKET OUTLET (NORMAL)
	TWIN SOCKET OUTLET (NORMAL)
	SINGLE SWITCHED WATER PROOF SOCKET OUTLET
	SINGLE SWITCHED DEDICATED SOCKET OUTLET
	TELEPHONE POINT OUTLET
	DATA POINT OUTLET
	POWER SCRIBING
	DISTRIBUTION BOARD REF TO INDICATE CIRCUITS
	DISTRIBUTION BOARD REF TO INDICATE CIRCUITS



GENERAL NOTES

- This drawing is issued ONLY for the SERVICE INDICATED in the titleblock. For Construction details refer to Architectural & coordinated drawings.
- The ELECTRICAL CONTRACTOR shall be solely responsible for coordination of this installation with those of the other sub trades.
- The installation shown on the drawing shall be undertaken in strict accordance with the STANDARD SPECIFICATION SECTION C, unless expressly stated to the contrary.
- The information given hereunder has been abstracted from the above and is provided for ease of reference, but in no way does it replace the contents of Section C or the detailed specification which shall take precedence.

2. OUTLET REFERENCES USED IN SCHEDULE OF OUTLETS & FITTINGS

Outlet & Circuit: the prefix combination of capital letters & numeral (s) of any outlet refers to the distribution boards (db) from which it is fed.

The next numeral(s) indicates the circuit number and subsequent ones after the point to the outlet on the circuit.

eg: 100A-DB-F1-D1 - outlet 1 on circuit F1 fed from DB-100A

3. MOUNTING HEIGHTS - UNLESS SHOWN OR SPECIFIED TO THE CONTRARY

All mounting heights shall be finished face to bottom of outlet box.

Socket outlets: 300mm generally
1400mm factories
1400mm kitchen / commercial
1400mm kitchen / commercial
Distribution boards: generally door head height OR 2000mm where no such reference exists.

4. WIRE SIZES - UNLESS SHOWN OR SPECIFIED TO THE CONTRARY

Type of Circuit	Conductor Size
lighting	1.5mm ²
socket outlets - 16A	2.5mm ²
socket outlets - 5A lighting	2.5mm ²
socket outlets - 5A lighting	4mm ²
water heaters / geysers up to 40W	2.5mm ²
stoves up to 12kW (single phase)	10mm ²
motors up to 2.2kW (single phase)	2.5mm ²
motors up to 4kW (three phase)	2.5mm ²
low voltage circuits, bells etc	2.5mm ²

5. Abbreviations

SD - Switched Socket Outlet
SD - Socket outlet (unswitched)
DUO - Double Switched Socket Outlet
DUO - Double Switched Socket Outlet
AFFL - Above Finished Floor Level
CCTV - Closed Circuit Television
DB - Distribution Board
TL - Telephone Board
A - Any
V - Volt

DRAWING STATUS	
Description	Approved AS, BY
Issued For Concept Only	
Issued For Information Only	
Issued For Preliminary Only	
Issued For Construction	
Issued For Final Construction	
AS Built Drawing	

No.	DATE	AMENDMENT	ENG

Copyright vests in the Department of Education

preliminary drawings

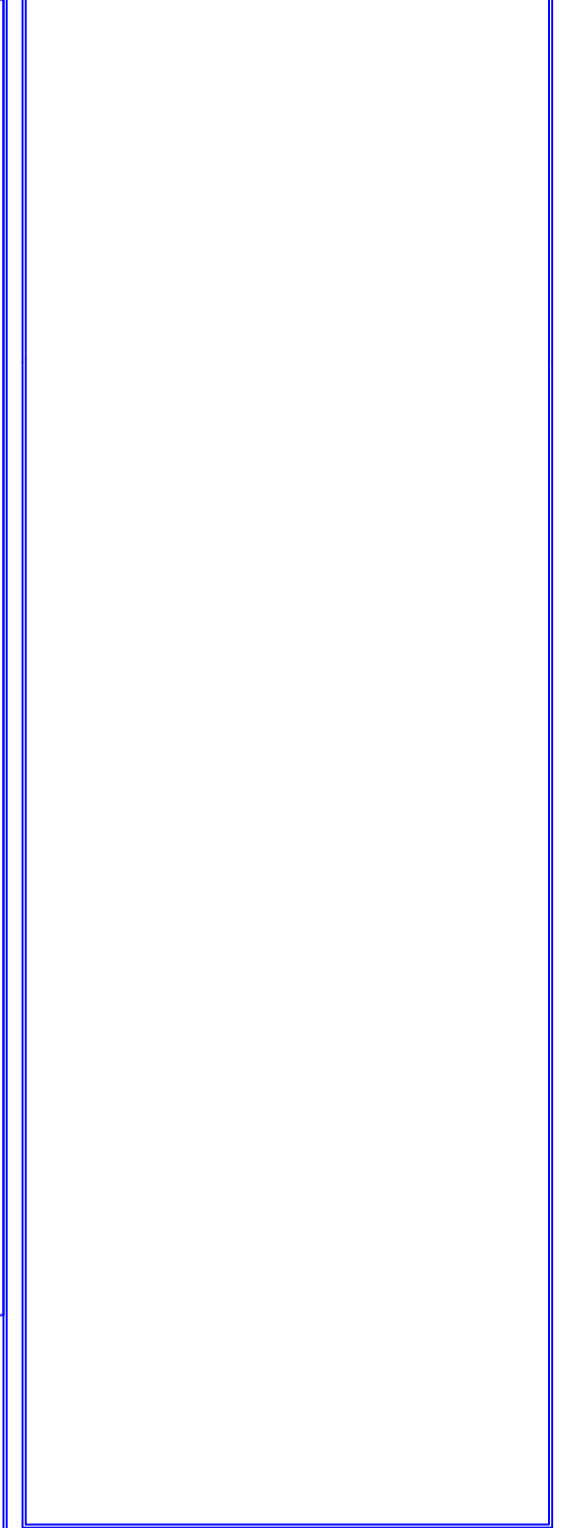
certified preliminary drawings as per Centralized Drawings Archive PRELIMINARY DRAWING REQUIREMENTS

name: _____

cost file name: _____

page 100

A 1



REG NO.: CK 2005/10743702

MTATHA OFFICE	EAST LONDON OFFICE	KOKSTAD OFFICE
38 Nkomo Street Southernwood Mthatha, 5100	26 Rhodes Street Capeury East London 6001	13 Hawthorn Street Kokstad 4700

Tel: +27 47 531 1189 Tel: +27 43 742 6023 Tel: +27 36 727 4825
Fax: +27 47 531 1188 Fax: +27 43 742 3023 Fax: +27 36 727 1995

discipline ELECTRICAL ENGINEER

service

SIVE SPECIAL SCHOOL: PHASE II

WCS number

drawing title

ARTS & CONSUMER STUDIES ELECTRICAL DETAIL LAYOUT

ref no.	designed
01	Mr. S. Bam

scale	drawn
N.T.S	Mr. S. Nonkondo

date	checked
May 2023	Mr. A. Myathaza

drawing number

EE 0031/ED/08

No.	DATE	AMENDMENT	ENG

Copyright vests in the Department of Education
 preliminary drawings
 certified preliminary drawings as per Centralized Drawings Archive PRELIMINARY DRAWING REQUIREMENTS
 name: _____

cost file name: _____ page 100
 A 1

LIGHTING LEGEND

DATE: _____

	One Way Switch
	Two Way Switch
	D1, Down Lighter
	Water tight Down Lighter
	Chandelier point
	D2, Tilt Down Lighter
	F3, 60W LED Fitting
	F15, 40W Vapour Proof LED Fitting
	Z5W, Square LED Light Fitting
	Round Bulkhead
	Photo Cell
	Extractor fan

POWER LEGEND

DATE: _____

	SINGLE SOCKET OUTLET (NORMAL)
	TWIN SOCKET OUTLET (NORMAL)
	SINGLE SWITCHED WATER PROOF SOCKET OUTLET
	SINGLE SWITCHED DEDICATED SOCKET OUTLET
	TELEPHONE POINT OUTLET
	DATA POINT OUTLET
	POWER SKIRTING
	DISTRIBUTION BOARD REF TO INDICATE CIRCUITS
	DISTRIBUTION BOARD REF TO INDICATE CIRCUITS

LIGHTING PROTECTION LEGEND

DATE: _____



Electrical / Mech. Engineer

REG NO.: CK 2005/107437/2

MTHATHA OFFICE 38 Ntsoa Street Southernwood Mthatha, 5100	EAST LONDON OFFICE 26 Rhodes Street Gugulethu East London 6001	KOKSTAD OFFICE 13 Hawthorn Street Kokstad 4700
---	--	--

Tel: +27 47 531 1189 Fax: +27 47 531 1188
 Tel: +27 43 742 6023 Fax: +27 43 742 3023
 Tel: +27 39 727 4825 Fax: +27 39 727 1995

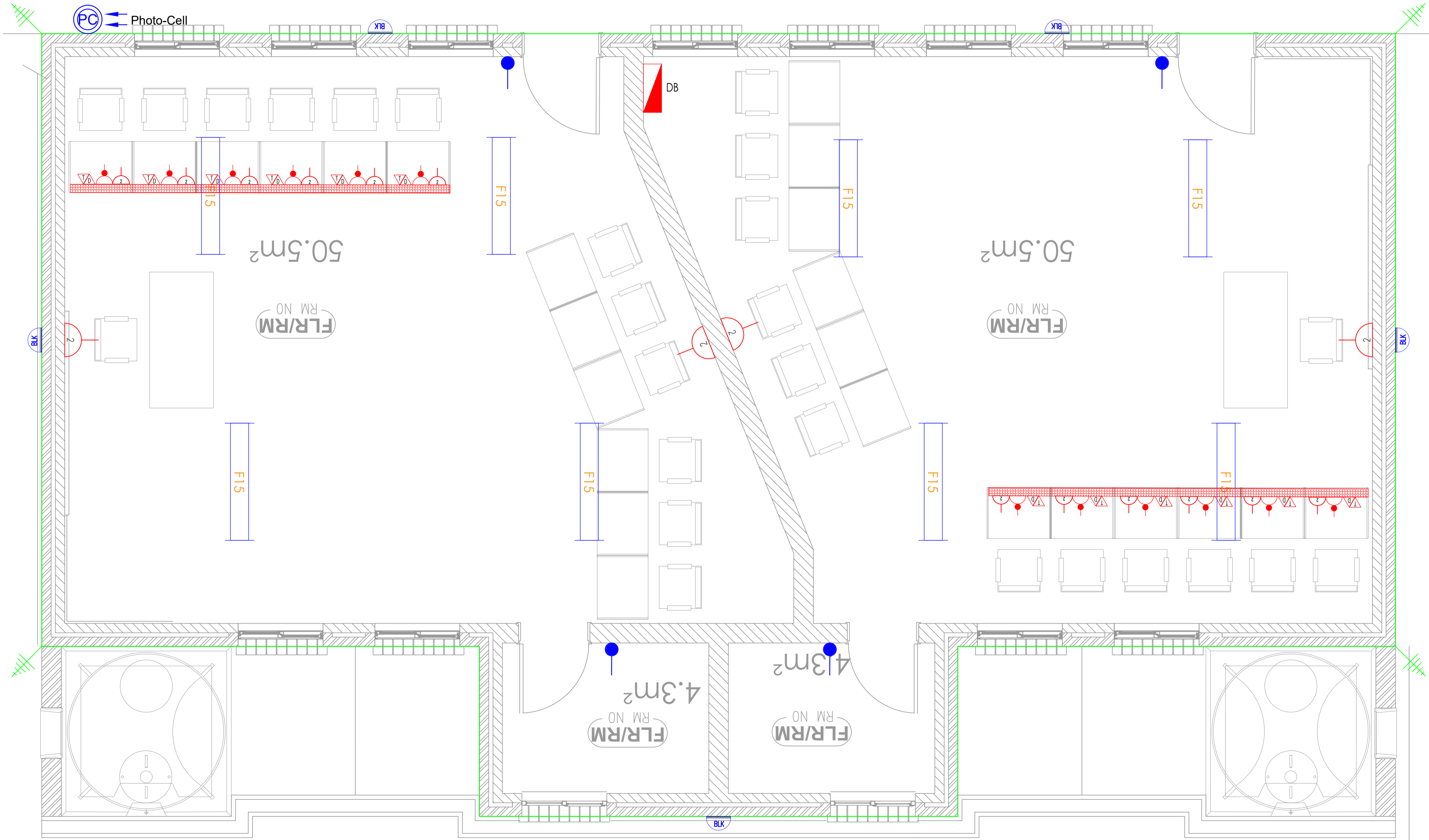
discipline: **ELECTRICAL ENGINEER**

service: **SIVE SPECIAL SCHOOL: PHASE II**

WCS number: _____
 drawing file: _____

SIGN LANGUAGE BLOCK: ELECTRICAL DETAIL LAYOUT

ref no. 01	designed Mr. S. Bam
scale N.T.S	drawn Mr. S. Nonkondo
date: May 2023	checked Mr. A. Myathaza
drawing number	EE 0031/ED/09

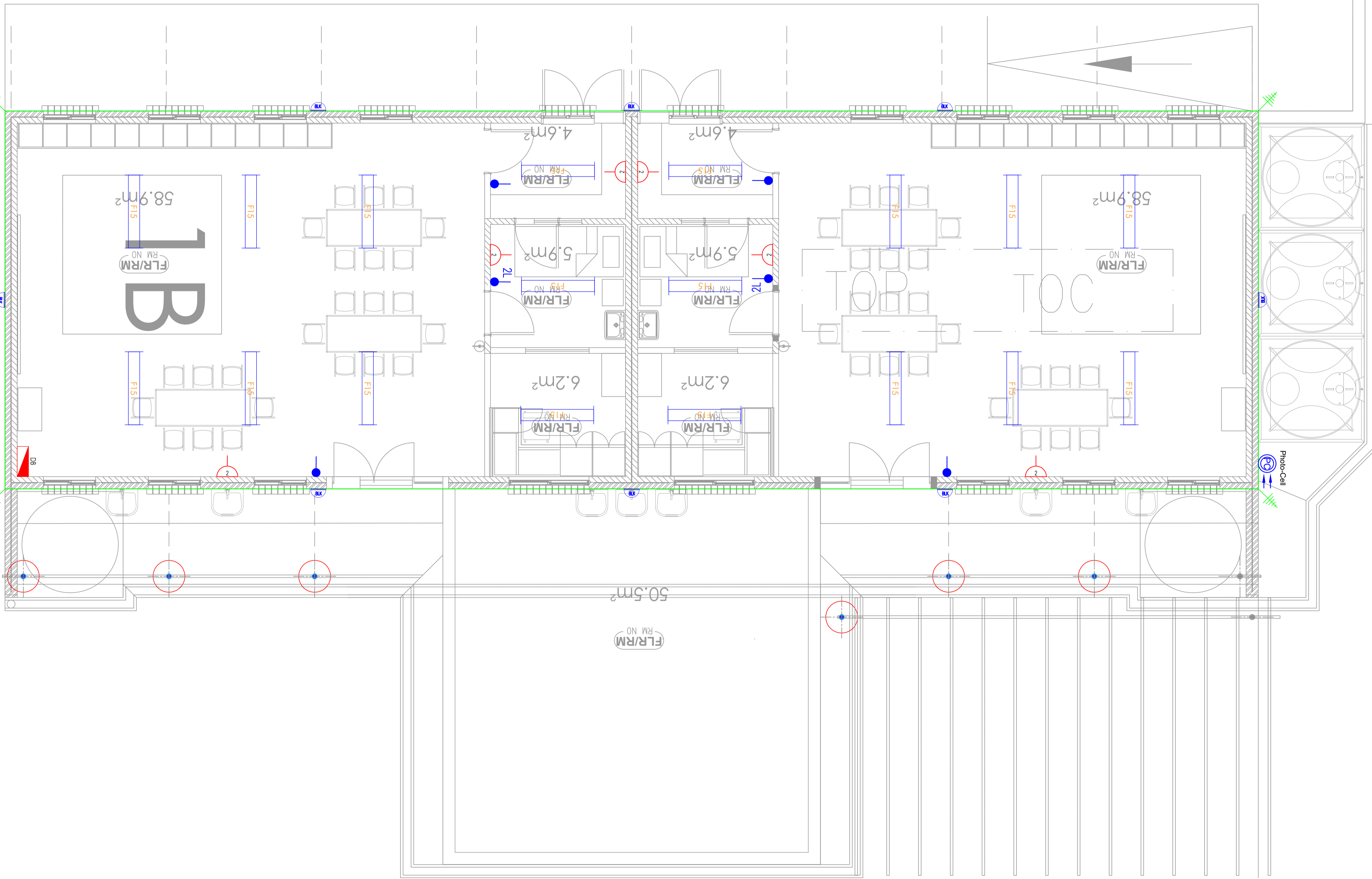


- ### GENERAL NOTES
- This drawing is issued ONLY for the SERVICE INDICATED in the titleblock. For Construction details refer to Architectural & coordinated drawings.
 - The ELECTRICAL CONTRACTOR shall be solely responsible for co-ordination of this installation with those of the other sub trades.
 - The installation shown on the drawing shall be undertaken in strict accordance with the STANDARD SPECIFICATION SECTION C, unless expressly stated to the contrary.
 - The information given hereunder has been abstracted from the above and is provided for ease of reference, but in no way does it replace the contents of Section C or the detailed specification which shall take precedence.
- ### 2. OUTLET REFERENCES: SHOWN IN SCHEDULE OF OUTLETS & FIXINGS
- Outlet C, C1012 the prefix combination of capital letters & numerals (if any) outlet refers to the distribution boards (db) from which it is fed.
 The next numeral(s) indicates the circuit number and subsequent ones after the point to the outlet on the circuit.
 eg: 100/DBA F3 F101 = outlet 1 on circuit F3 fed from DB-DBA
- ### 3. MOUNTING HEIGHTS: UNLESS SHOWN OR SPECIFIED TO THE CONTRARY
- All mounting heights shall be finished four to bottom of outlet box.
 Switches: 1400mm generally or 1500mm kitchens
 Socket outlets: 300mm generally
 1400mm factories
 1400mm kitchen / commercial
 Distribution boards: generally door head height OR 2000mm where no such reference exists.
- ### 4. WIRE SIZES: UNLESS SHOWN OR SPECIFIED TO THE CONTRARY
- | Type of Circuit | Conductor Size |
|-----------------------------------|----------------|
| lighting | 1.5mm² |
| socket outlets - 16A | 2.5mm² |
| socket outlets - 5A lighting | 2.5mm² |
| water heaters up to 5kW | 4mm² |
| water heaters / geysers up to 4kW | 2.5mm² |
| motors up to 1.5kW (single phase) | 2.5mm² |
| motors up to 2.2kW (single phase) | 2.5mm² |
| motors up to 4kW (three phase) | 2.5mm² |
| low voltage circuits, bells etc | 2.5mm² |
- ### 5. Abbreviations
- SD - Switched Socket Outlet
 SO - Socket outlet (unswitched)
 DLU - Double Switched Socket Outlet (one outlet box)
 AFL - Above Finished Floor Level
 CCTV - Closed Circuit Television
 DB - Distribution board
 TB - Telephone board
 A - Amp
 V - Volt

DRAWING STATUS

Description	Approved AS, BY
Issued For Concept Only	
Issued For Information Only	
Issued For Preliminary Only	
Issued For Construction	
Issued For Final Construction	
AS Built Drawing	

SIGN LANGUAGE BLOCK - ELECTRICAL DETAIL



NO.	DATE	AMENDMENT	ENG.

Copyright vests in the Department of Education

preliminary drawing

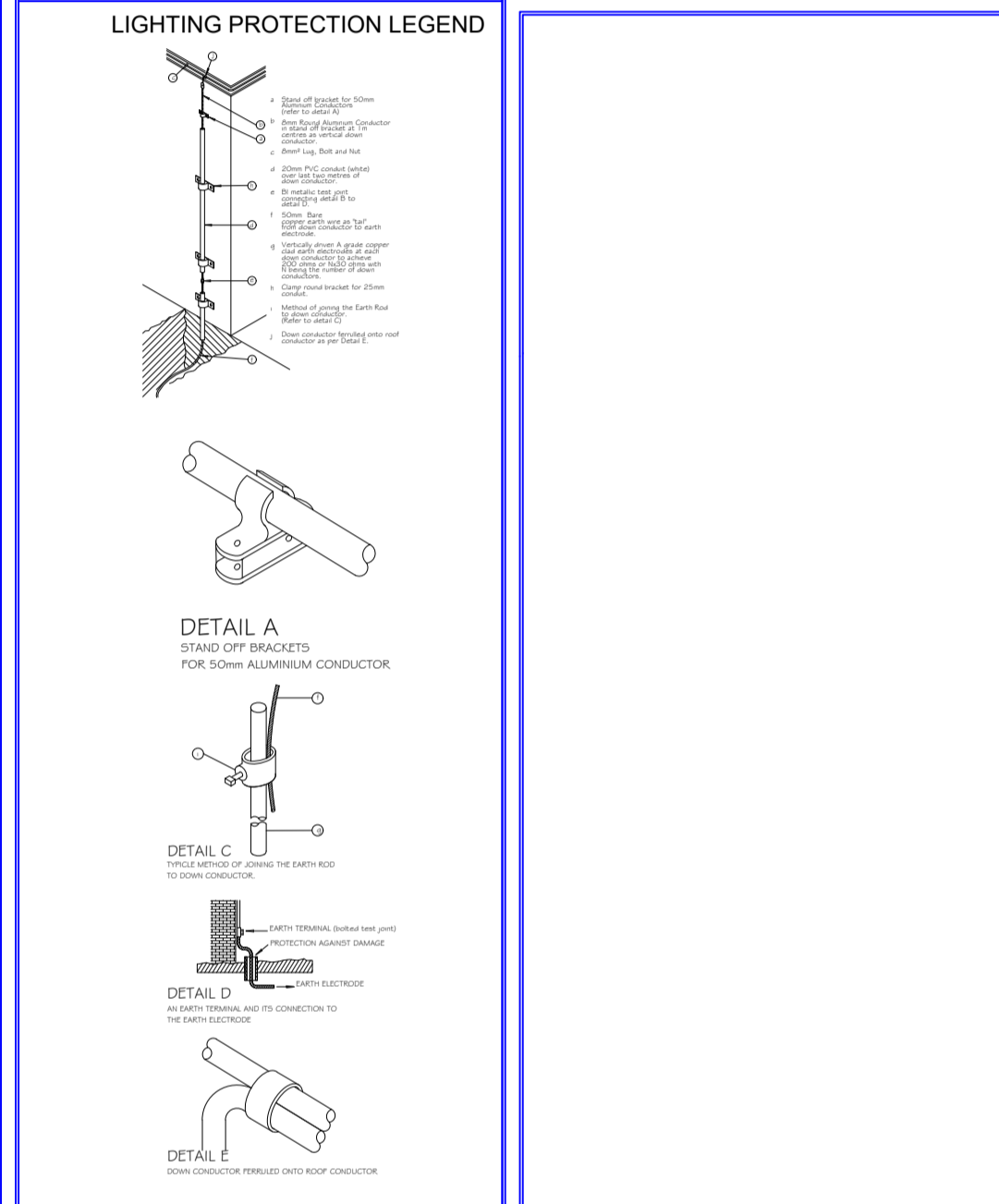
certified preliminary drawings as per Centralized Drawings Archive PRELIMINARY DRAWING REQUIREMENTS

name: _____

cost file name: _____

page 1000

A 1



GENERAL NOTES

1.1 This drawing is issued ONLY for the SERVICE INDICATED in the Blockbook. For Construction details refer to Architectural & coordinated drawings.

1.2 The ELECTRICAL CONTRACTOR shall be solely responsible for co-ordination of this installation with those of the other sub trades.

1.3 The installation shown on the drawing shall be undertaken in strict accordance with the STANDARD SPECIFICATION, SECTION C, unless expressly stated to the contrary.

1.4 The information given hereunder has been abstracted from the above and is provided for ease of reference, but in no way does it replace the contents of Section C or the detailed specification which shall take precedence.

2. OUTLET REFERENCES USED IN SCHEDULE OF OUTLETS & DRAWING
 Schedules & drawings the prefix combination of capital letters & numerical (S) of any outlet refers to the distribution boards (DB) from which it is fed.
 The next numeral(s) indicates the circuit number and subsequent one after the point to the outlet on the circuit.
 eg) SDB-A P3 R 01 = outlet 1 on circuit P3 fed from DB-SDB-A

3. MOUNTING HEIGHTS - UNLESS SHOWN OR SPECIFIED TO THE CONTRARY
 All mounting heights shall be finished floor to bottom of outlet box.
 Switches: 1400mm generally or 1000mm kitchens
 socket outlets: 200mm generally
 1000mm kitchens
 1400mm kitchen / commercial
 Distribution boards: generally door head height OR 2000mm where no such reference exists.

4. WIRE SIZES - UNLESS SHOWN OR SPECIFIED TO THE CONTRARY

TYPE OF LOAD	CONDUCTOR SIZE
lighting	1.5mm ²
socket outlets - SA	2.5mm ²
SA lighting	2.5mm ²
space heaters up to 2kW	4mm ²
water heaters / geysers up to 4kW	2.5mm ²
stoves up to 2kW (single phase)	10mm ²
motors up to 2kW (single phase)	2.5mm ²
motors up to 4kW (three phase)	2.5mm ²
low voltage circuits, bells etc.	2.5mm ²

5. Abbreviations
 SO - Switched Socket Outlet
 SO - Socket outlet (un-switched)
 DSO - double Switched Socket in one outlet box
 AFL - Above Finished Floor Level
 CCTV - Closed Circuit Television
 DB - Distribution board
 Tel - Telephone board
 A - Amp
 V - Volt

DRAWING STATUS		Approved AS, BY
Description		
Issued For Concept Only		
Issued For Information Only		
Issued For Preliminary Only		
Issued For Construction		
Issued For Final Construction		
AS Built Drawing		

ref no. 01 designed Mr. S. Bam

scale N.T.S drawn Mr. S. Nonkondo

date May 2023 checked Mr. A. Myathaza

drawing number

EE 0031/ED/10

GRADE R BLOCK - ELECTRICAL DETAIL



REG NO.: CK 2005/10743702

MTHATHA OFFICE	EAST LONDON OFFICE	KOKSTAD OFFICE
38 Ntshaba Street Southernwood Mthatha, 5100	26 Rhodes Street Gugulethu East London 5201	13 Hawthorn Street Kokstad 4700
Tel: +27 47 531 1189 Fax: +27 47 531 1188	Tel: +27 43 742 6023 Fax: +27 43 742 3023	Tel: +27 38 727 4825 Fax: +27 38 727 1995

Discipline: ELECTRICAL ENGINEER

Service: SIVE SPECIAL SCHOOL: PHASE II

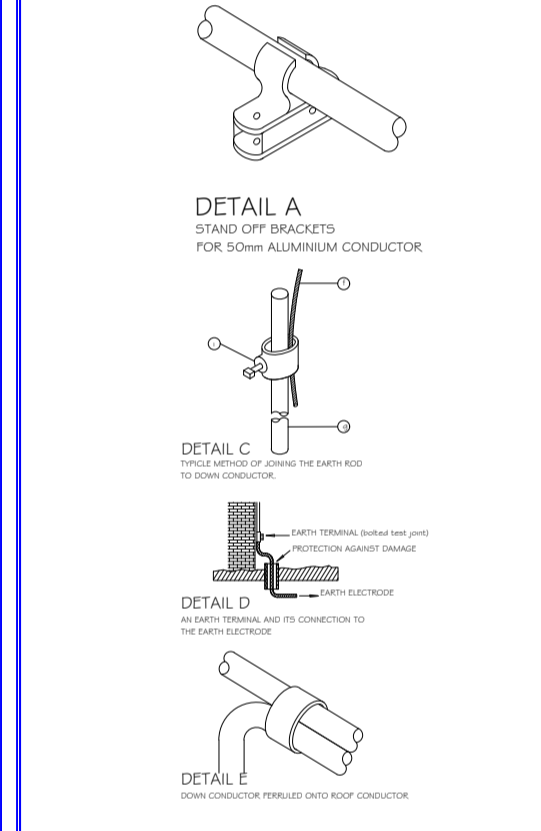
WCS number

Drawing title: GRADE R BLOCK: ELECTRICAL DETAIL LAYOUT

LIGHTING LEGEND	
DATE:	
	One Way Switch
	Two Way Switch
	D1, Down Lighter
	Water tight Down Lighter
	Chandelier point
	D2, Tilt Down Lighter
	F3, 60W LED Fitting
	F15, 40W Vapour Proof LED Fitting
	25W, Square LED Light Fitting
	Round Bulkhead
	Photo Cell
	Extractor fan

POWER LEGEND	
DATE:	
	SINGLE SOCKET OUTLET (NORMAL)
	TWIN SOCKET OUTLET (NORMAL)
	SINGLE SWITCHED WATER PROOF SOCKET OUTLET
	SINGLE SWITCHED DEDICATED SOCKET OUTLET
	TELEPHONE POINT OUTLET
	DATA POINT OUTLET
	POWER SOURCING
	DISTRIBUTION BOARD REF TO INDICATE CIRCUITS
	DISTRIBUTION BOARD REF TO INDICATE CIRCUITS

LIGHTING PROTECTION LEGEND	
	Lighting Protection Legend symbols



GENERAL NOTES

1.1 This drawing is issued ONLY for the SERVICE INDICATED in the Schedule For Construction details refer to Architectural & coordinated drawings.

1.2 The ELECTRICAL CONTRACTOR shall be solely responsible for co-ordination of this installation with those of the other sub trades.

1.3 The installation shown on the drawing shall be undertaken in strict accordance with the STANDARD SPECIFICATION, SECTION C, unless expressly stated to the contrary.

1.4 The information given hereunder has been abstracted from the above and is provided for ease of reference, but in no way does it replace the contents of Section C or the detailed specification which shall take precedence.

2. OUTLET REFERENCES USED IN SCHEDULE OF OUTLETS & DRAWING

2.1 The next numeral(s) indicates the circuit number and subsequent one after the point to the outlet on the circuit.
eg: SDB-A P3 R 01 = outlet 1 on circuit P3 fed from DB-SDB-A

3. MOUNTING HEIGHTS - UNLESS SHOWN OR SPECIFIED TO THE CONTRARY

All mounting heights shall be finished floor to bottom of outlet box.
Switches: 1400mm generally or 1000mm kitchens
socket outlets: 200mm generally
1000mm factories
1000mm kitchen/dormestic
1400mm kitchen / commercial
Distribution boards: generally door head height OR 2000mm where no such reference exists.

4. WIRE SIZES - UNLESS SHOWN OR SPECIFIED TO THE CONTRARY

TYPE OF CIRCUIT	WIRE SIZE
lighting	1.5mm ²
socket outlets - SA	2.5mm ²
space heaters up to 5kW	2.5mm ²
water heaters / geysers up to 4kW	4mm ²
stoves up to 12kW (single phase)	10mm ²
motors up to 2.2kW (single phase)	2.5mm ²
motors up to 4kW (three phase)	2.5mm ²
low voltage circuits, bells etc.	2.5mm ²

5. Abbreviations

SOC - Switched Socket Outlet
SO - Socket outlet (un-switched)
D/O - double Switched Socket in one outlet box
AFL - Above Finished Floor Level
CCTV - Closed Circuit Television
DB - Distribution board
Tel - Telephone board
A - Amp
V - Volt

DRAWING STATUS	
Description	Approved AS, BY
Issued For Concept Only	
Issued For Information Only	
Issued For Preliminary Only	
Issued For Construction	
Issued For Final Construction	
AS Built Drawing	

DRAWING STATUS	
Description	Approved AS, BY
Issued For Concept Only	
Issued For Information Only	
Issued For Preliminary Only	
Issued For Construction	
Issued For Final Construction	
AS Built Drawing	

No.	DATE	AMENDMENT	ENG

Copyright vests in the Department of Education

preliminary drawing

certified preliminary drawings as per Centralized Drawing Archive PRELIMINARY DRAWING REQUIREMENTS

name: _____

sheet 1 of 1
A 1

Sponsor

idT
Infrastructure Development Trust

Electrical / Mech. Engineer

Vokon Afrika Consulting

REG NO.: CK 3005/10743702

MTATHA OFFICE	EAST LONDON OFFICE	KOKSTAD OFFICE
38 Ntassa Street Southernwood Mthatha, 5100	26 Rhodes Street Gugulethu East London 5201	13 Hawthorn Street Kokstad 4700
Tel: +27 47 531 1189 Fax: +27 47 531 1188	Tel: +27 43 742 6023 Fax: +27 43 742 3023	Tel: +27 39 727 4825 Fax: +27 39 727 1995

Discipline: ELECTRICAL ENGINEER

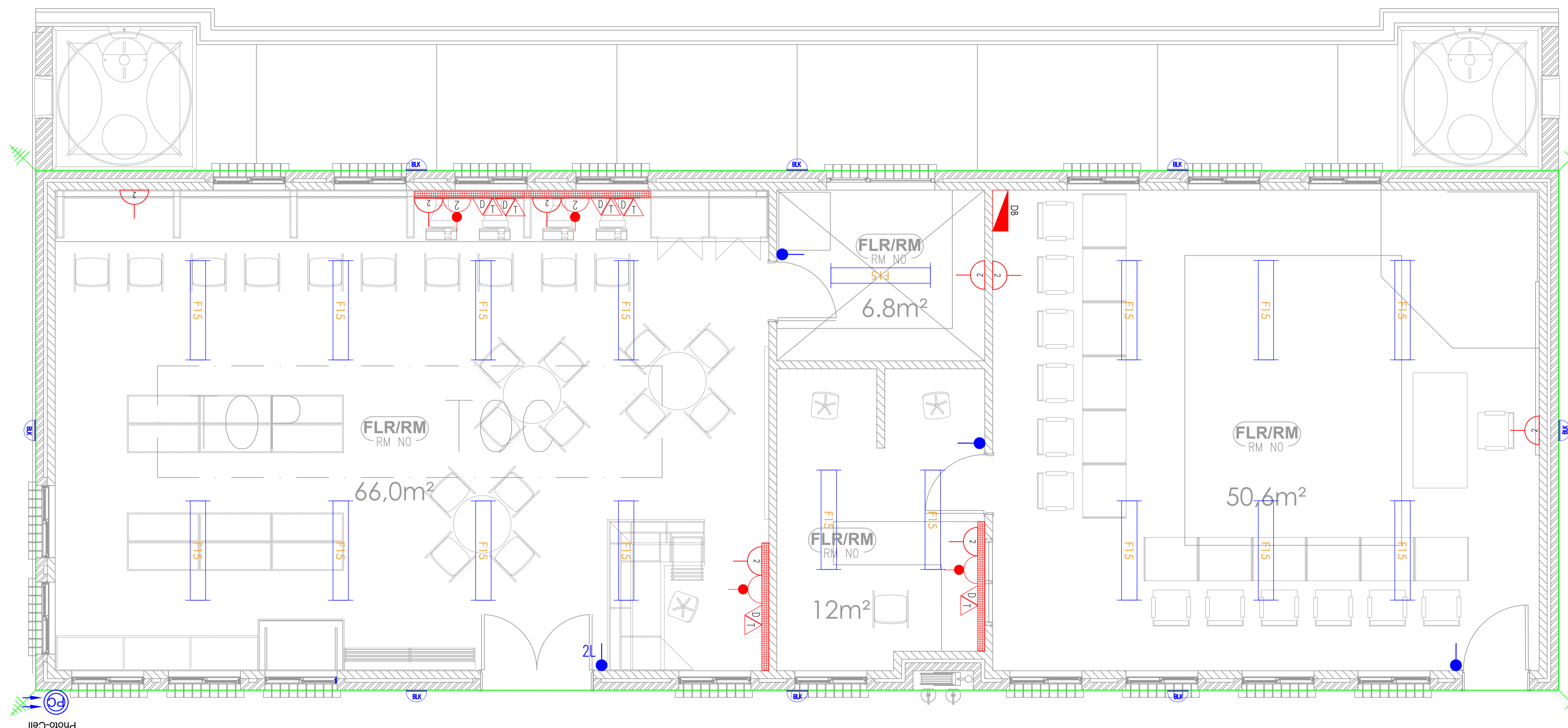
Service: SIVE SPECIAL SCHOOL: ELECTRICAL DETAIL LAYOUT

WCS number: _____

drawing title: JUNIOR LIBRARY & SPEECH: ELECTRICAL DETAIL LAYOUT

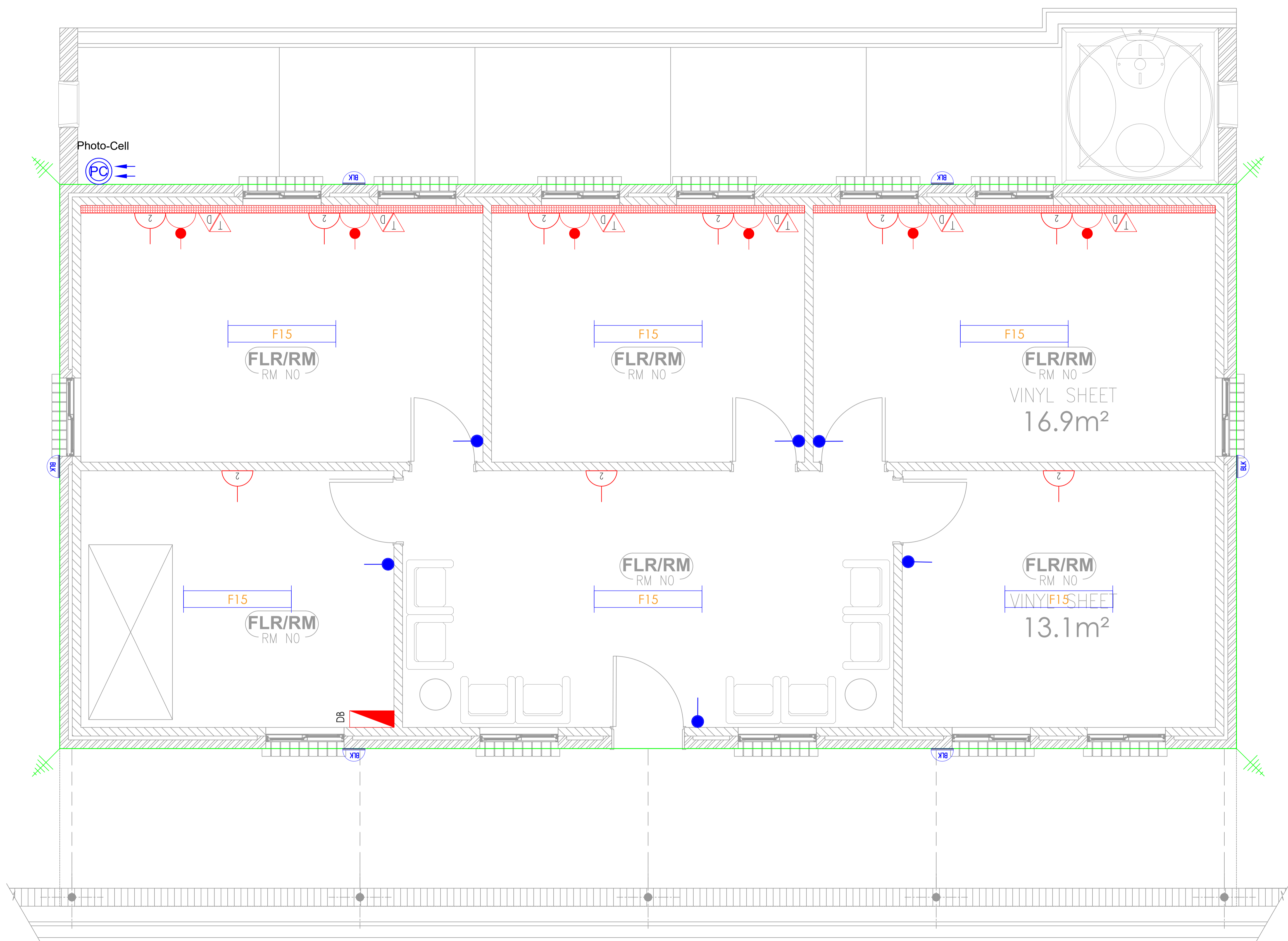
ref no. 01	designed Mr. S. Bam
scale N.T.S	drawn Mr. S. Nonkondo
date: May 2023	checked Mr. A. Myathaza
drawing number	

EE 0031/ED/11



JUNIOR LIBRARY & SPEECH - ELECTRICAL DETAIL

THERAPY BLOCK - ELECTRICAL DETAIL

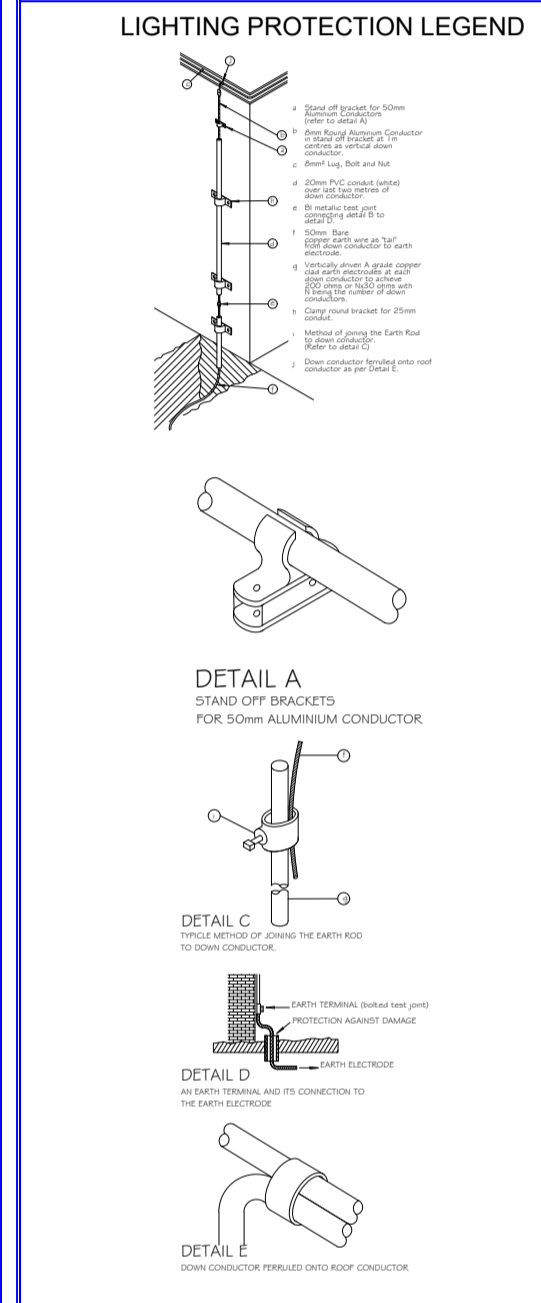


LIGHTING LEGEND
DATE:

	One Way Switch
	Two Way Switch
	D1, Down Lighter
	Water tight Down Lighter
	Chandelier point
	D2, Tilt Down Lighter
	F3, 60W LED Fitting
	F15, 40W Vapour Proof LED Fitting
	25W, Square LED Light Fitting
	Round Bulkhead
	Photo Cell
	Extractor fan

POWER LEGEND
DATE:

	SINGLE SOCKET OUTLET (NORMAL)
	TWIN SOCKET OUTLET (NORMAL)
	SINGLE SWITCHED WATER PROOF SOCKET OUTLET
	SINGLE SWITCHED DEDICATED SOCKET OUTLET
	TELEPHONE POINT OUTLET
	DATA POINT OUTLET
	POWER SOCKET
	DISTRIBUTION BOARD REF TO INDICATE CIRCUITS
	DISTRIBUTION BOARD REF TO INDICATE CIRCUITS



GENERAL NOTES

- This drawing is issued ONLY for the SERVICE INDICATED in the Blockbook For Construction details refer to Architectural & coordinated drawings.
- The ELECTRICAL CONTRACTOR shall be solely responsible for co-ordination of this installation with those of the other sub trades.
- The installation shown on the drawing shall be undertaken in strict accordance with the STANDARD SPECIFICATION, SECTION C, unless expressly stated to the contrary.
- The information given hereunder has been abstracted from the above and is provided for ease of reference, but in no way does it replace the contents of Section C or the detailed specification which shall take precedence.

2. OUTLET REFERENCES USED IN SCHEDULE OF OUTLETS & DRAWING
Schedules C and D give the prefix combination of capital letters & numbers (S) of any outlet refers to the distribution boards (DB) from which it is fed.
The next numeral(s) indicates the circuit number and sub-circuit one after the point to the outlet on the circuit.
eg: SDB-A P3 R 01 = outlet 1 on circuit P3 fed from DB-SDB-A

3. MOUNTING HEIGHTS - UNLESS SHOWN OR SPECIFIED TO THE CONTRARY
All mounting heights shall be finished floor to bottom of outlet box.
Switches: 1400mm generally or 1000mm kitchens
socket outlets: 200mm generally
1000mm factories
1400mm kitchen domestic
1400mm kitchen / commercial
Distribution boards: generally door head height OR 2000mm where no such reference exists.

4. WIRE SIZES - UNLESS SHOWN OR SPECIFIED TO THE CONTRARY

TYPE OF CIRCUIT	CONDUCTOR SIZE
lighting	1.5mm ²
socket outlets - SA	2.5mm ²
SA lighting	2.5mm ²
space heaters up to 3kW	4mm ²
water heaters / geysers up to 4kW	2.5mm ²
stoves up to 2kW (single phase)	10mm ²
motors up to 2.2kW (single phase)	2.5mm ²
motors up to 4kW (three phase)	2.5mm ²
low voltage circuits, bells etc.	2.5mm ²

5. Abbreviations
SO - Switched Socket Outlet
SO - Socket outlet (un-switched)
DSD - double Switched Socket in one outlet box
AFL - Above Finished Floor Level
CCTV - Closed Circuit Television
DB - Distribution board
Tel - Telephone board
A - Amp
V - Volt

DRAWING STATUS

Description	Approved AS, BY
Issued For Concept Only	
Issued For Preliminary Only	
Issued For Construction	
Issued For Final Construction	
AS Built Drawing	

NO.	DATE	AMENDMENT	ENG.

Copyright vests in the Department of Education

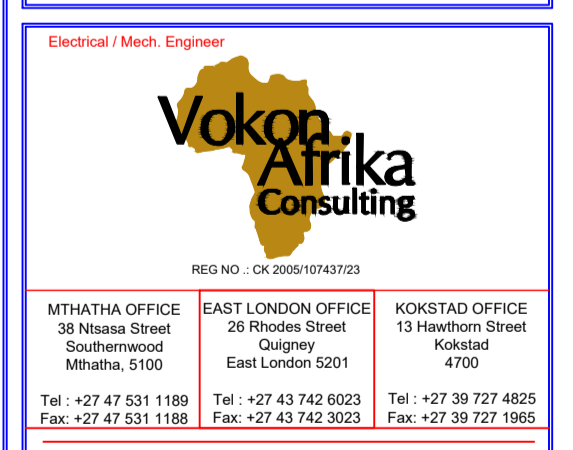
preliminary drawings

certified preliminary drawings as per Centralized Drawing Archive PRELIMINARY DRAWING REQUIREMENTS

name: _____

Cost the name _____ page 1000

A 1



REG NO. : CK 3005/10743702

MTHATHA OFFICE 38 Ntshaba Street Southernwood Mthatha, 5100	EAST LONDON OFFICE 26 Rhodes Street Gugulethu East London 6001	KORSTAD OFFICE 13 Hawthorn Street Korstad 4700
---	--	--

Tel: +27 47 531 1189 Fax: +27 47 531 1188
Tel: +27 43 742 6023 Fax: +27 43 742 3023
Tel: +27 36 727 4825 Fax: +27 36 727 1995

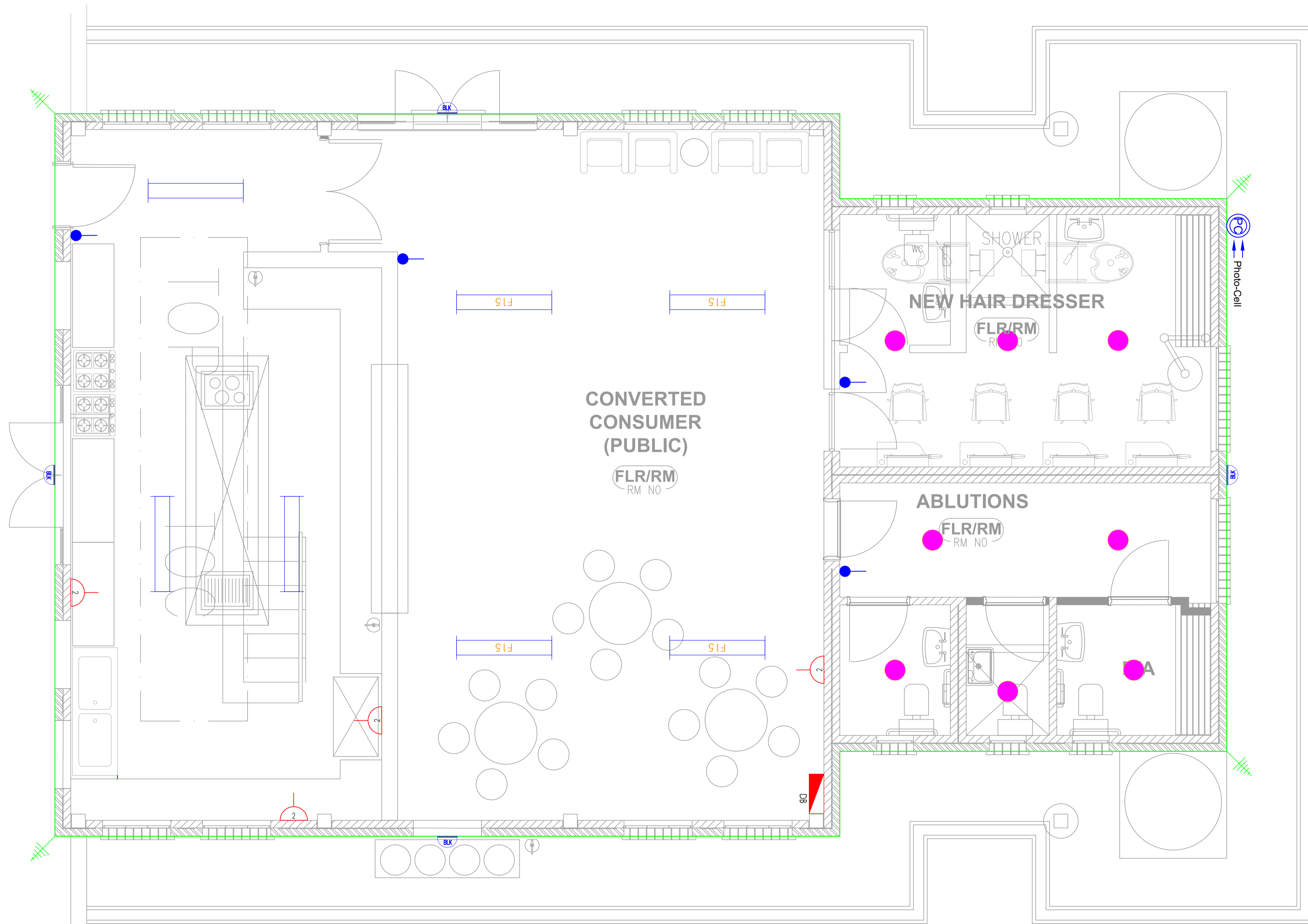
Discipline: ELECTRICAL ENGINEER

Service: SIVE SPECIAL SCHOOL: PHASE II

WCS number: _____

Drawing title: THERAPY BLOCK: ELECTRICAL LAYOUT

ref no: 01 designed: Mr. S. Bam
scale: N.T.S. drawn: Mr. S. Nonkondo
date: May 2023 checked: Mr. A. Myathaza
drawing number: EE 0031/ED/12



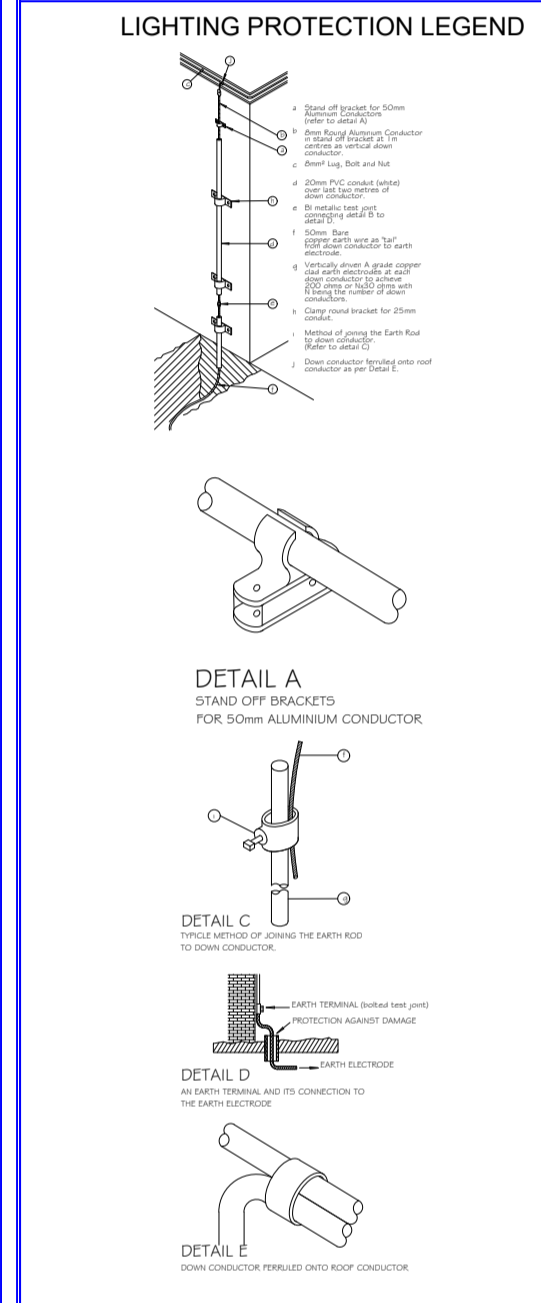
PUBLIC INTERACTIONS BLOCK - ELECTRICAL DETAIL

LIGHTING LEGEND
DATE:

	One Way Switch
	Two Way Switch
	D1, Down Lighter
	Water tight Down Lighter
	Chandelier point
	D2, Tilt Down Lighter
	F3, 60W LED Fitting
	F15, 40W Vapour Proof LED Fitting
	25W, Square LED Light Fitting
	Round Bulkhead
	Photo Cell
	Extractor fan

POWER LEGEND
DATE:

	SINGLE SOCKET OUTLET (NORMAL)
	THIN SOCKET OUTLET (NORMAL)
	SINGLE SWITCHED WATER PROOF SOCKET OUTLET
	SINGLE SWITCHED DEDICATED SOCKET OUTLET
	TELEPHONE POINT OUTLET
	DATA POINT OUTLET
	POWER SOURCING
	DISTRIBUTION BOARD REF TO INDICATE CIRCUITS
	DISTRIBUTION BOARD REF TO INDICATE CIRCUITS



GENERAL NOTES

- This drawing is issued ONLY for the SERVICE INDICATED in the Blockbook. For Construction details refer to Architectural & coordinated drawings.
- The ELECTRICAL CONTRACTOR shall be solely responsible for co-ordination of this installation with those of the other sub trades.
- The installation shown on the drawing shall be undertaken in strict accordance with the STANDARD SPECIFICATION, SECTION C, unless expressly stated to the contrary.
- The information given hereunder has been abstracted from the above and is provided for ease of reference, but in no way does it replace the contents of Section C or the detailed specification which shall take precedence.

2. OUTLET REFERENCES USED IN SCHEDULE OF OUTLETS & DRAWING
S.O. = Socket Outlet
S.O. (S) = Socket Outlet (S) of any outlet refers to the distribution boards (DB) from which it is fed.
The next numeral(s) indicates the circuit number and subsequent one after the point to the outlet on the circuit.
eg: SDB-A P3 R 01 = outlet 1 on circuit P3 fed from DB-SDB-A

3. MOUNTING HEIGHTS - UNLESS SHOWN OR SPECIFIED TO THE CONTRARY
All mounting heights shall be finished floor to bottom of outlet box.
Switches: 1400mm generally or 1000mm kitchens
Socket outlets: 200mm generally
1000mm kitchens
1000mm kitchen domestic
1400mm kitchen / commercial
Distribution boards: generally door head height OR 2000mm where no such reference exists.

4. WIRE SIZES - UNLESS SHOWN OR SPECIFIED TO THE CONTRARY

TYPE OF CIRCUIT	CONDUCTOR SIZE
lighting	1.5mm ²
socket outlets - 5EA	2.5mm ²
space heaters up to 3kW	2.5mm ²
water heaters / geysers up to 4kW	4mm ²
stoves up to 2kW (single phase)	10mm ²
motors up to 2.2kW (single phase)	2.5mm ²
motors up to 4kW (three phase)	2.5mm ²
low voltage circuits, bells etc.	2.5mm ²

5. Abbreviations
S.O. - Switched Socket Outlet
S.O. - Socket outlet (un-switched)
D.O. - double Switched Socket in one outlet box
A.F.L. - Above Finished Floor Level
C.C.T.V. - Closed Circuit Television
DB - Distribution board
Tel. - Telephone board
A - Amp
V - Volt

DRAWING STATUS

Description	Approved AS, BY
Issued For Concept Only	
Issued For Information Only	
Issued For Preliminary Only	
Issued For Construction	
Issued For Final Construction	
AS Built Drawing	

ref no. 01 designed Mr. S. Bam
scale N.T.S drawn Mr. S. Nonkondo
date May 2023 checked Mr. A. Myathaza
drawing number
EE 0031/ED/13

NO.	DATE	AMENDMENT	ENG

Copyright vests in the Department of Education

preliminary drawing

certified preliminary drawings as per Centralized Drawing Archive PRELIMINARY DRAWING REQUIREMENTS

name: _____

cost file name: _____ page 1000
A 1

Sponsor

Electrical / Mech. Engineer

REG NO.: CK 3005/10743702

MTHATHA OFFICE	EAST LONDON OFFICE	KOKSTAD OFFICE
38 Ntshasa Street Southernwood Mthatha, 5100	26 Rhodes Street Guguletu East London 5201	13 Hawthorn Street Kokstad 4700

Tel: +27 47 531 1189 Fax: +27 47 531 1188
Tel: +27 43 742 6023 Fax: +27 43 742 3023
Tel: +27 38 727 4825 Fax: +27 38 727 1995

discipline **ELECTRICAL ENGINEER**

service

SIVE SPECIAL SCHOOL: PHASE II

WCS number

drawing title

THERAPY BLOCK: ELECTRICAL DETAIL LAYOUT

idT
Infrastructure Development Trust

Vokon Afrika Consulting

REG NO.: CK 3005/10743702

MTHATHA OFFICE	EAST LONDON OFFICE	KOKSTAD OFFICE
38 Ntshasa Street Southernwood Mthatha, 5100	26 Rhodes Street Guguletu East London 5201	13 Hawthorn Street Kokstad 4700

Tel: +27 47 531 1189 Fax: +27 47 531 1188
Tel: +27 43 742 6023 Fax: +27 43 742 3023
Tel: +27 38 727 4825 Fax: +27 38 727 1995

discipline **ELECTRICAL ENGINEER**

service

SIVE SPECIAL SCHOOL: PHASE II

WCS number

drawing title

THERAPY BLOCK: ELECTRICAL DETAIL LAYOUT

ref no. 01 designed Mr. S. Bam
scale N.T.S drawn Mr. S. Nonkondo
date May 2023 checked Mr. A. Myathaza
drawing number
EE 0031/ED/13

NO.	DATE	AMENDMENT	ENG.

Copyright vests in the Department of Education

preliminary drawings


certified preliminary drawings as per Centralized Drawing Archive PRELIMINARY DRAWING REQUIREMENTS

name: _____

sheet 1000
A 1

DISCIPLINE	ENGINEER
Electrical / Mech. Engineer	

Sponsor



Independent development trust

REG NO.: CK 2005/10743702

Vokon Afrika Consulting

MTHATHA OFFICE: 38 Ntsoa Street, Southernwood, Mthatha, 5100
EAST LONDON OFFICE: 26 Rhodes Street, Gugulethu, East London 6001
KORSTAD OFFICE: 13 Hawthorn Street, Kokstad, 4700

Tel: +27 47 531 1189 Fax: +27 47 531 1188
Tel: +27 43 742 6023 Fax: +27 43 742 3023
Tel: +27 39 727 4825 Fax: +27 39 727 1995

discipline: **ELECTRICAL ENGINEER**

service: **SIVE SPECIAL SCHOOL: PHASE II**

WCS number: _____

drawing title: **TOILET BLOCK : ELECTRICAL DESIGN LAYOUT**

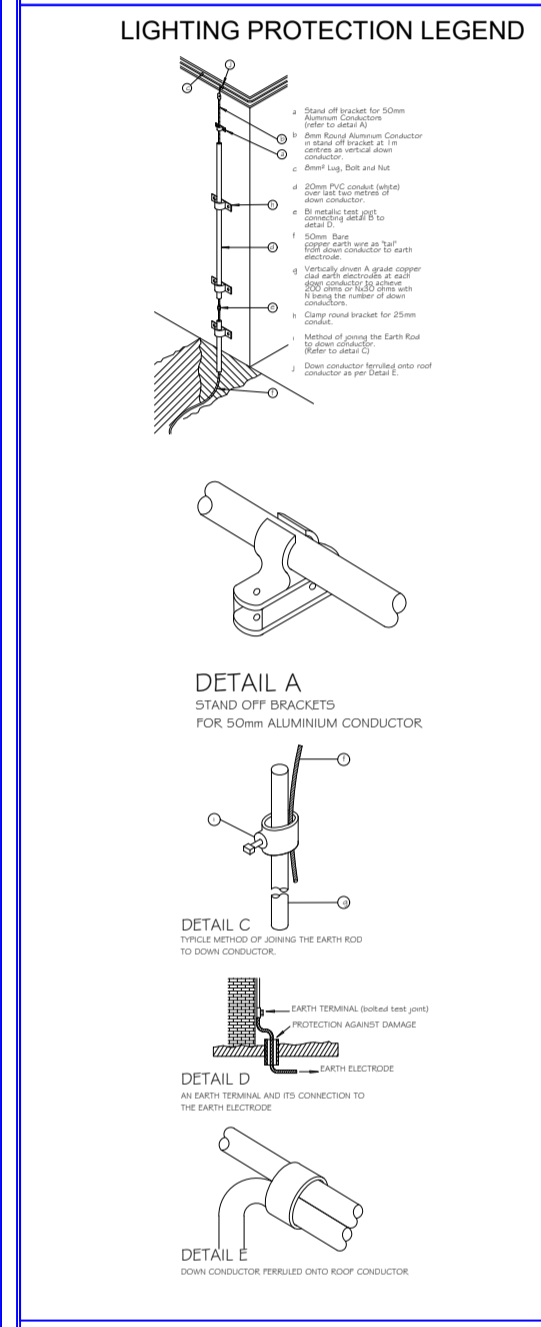
ref no. 01 designed: Mr. S. Bam
scale: N.T.S. drawn: Mr. S. Nonkondo
date: May 2023 checked: Mr. A. Myathaza
drawing number: EE 0031/ED/14

LIGHTING LEGEND
DATE:

	One Way Switch
	Two Way Switch
	D1, Down Lighter
	Water tight Down Lighter
	Chandelier point
	D2, Tilt Down Lighter
	F3, 60W LED Fitting
	F15, 40W Vapour Proof LED Fitting
	25W, Square LED Light Fitting
	Round Bulkhead
	Photo Cell
	Extractor fan

POWER LEGEND
DATE:

	SINGLE SOCKET OUTLET (NORMAL)
	TWIN SOCKET OUTLET (NORMAL)
	SINGLE SWITCHED WATER PROOF SOCKET OUTLET
	SINGLE SWITCHED DEDICATED SOCKET OUTLET
	TELEPHONE POINT OUTLET
	DATA POINT OUTLET
	POWER SCRIBING
	DISTRIBUTION BOARD REF TO INDICATE CIRCUITS
	DISTRIBUTION BOARD REF TO INDICATE CIRCUITS



GENERAL NOTES

1.1. This drawing is issued ONLY for the SERVICE INDICATED in the Blockwork Construction details refer to Architectural & co-ordinated drawings.

1.2. The ELECTRICAL CONTRACTOR shall be solely responsible for co-ordination of this installation with those of the other sub trades.

1.3. The installation shown on the drawing shall be undertaken in strict accordance with the STANDARD SPECIFICATION: SECTION C, unless expressly stated to the contrary.

1.4. The information given hereunder has been abstracted from the above and is provided for ease of reference, but in no way does it replace the contents of Section C or the detailed specification which shall take precedence.

2. OUTLET REFERENCES USED IN SCHEDULE OF OUTLETS & CIRCUITS

SO - Switched Socket Outlet
SOU - Socket Outlet (unswitched)
DUO - Double Switched Socket in one outlet box
AFSL - Above Finished Floor Level
CCTV - Closed Circuit Television
DB - Distribution board
Tel - Telephone board
A - Amp
V - Volt

3. MOUNTING HEIGHTS - UNLESS SHOWN OR SPECIFIED TO THE CONTRARY

All mounting heights shall be finished face to bottom of outlet box.

Switches: 1400mm generally or 1000mm kitchen
Socket outlets: 300mm generally
1400mm kitchen
1000mm kitchen/commercial
Distribution boards: generally door head height OR 2000mm where no such reference exists.

4. WIRE SIZES - UNLESS SHOWN OR SPECIFIED TO THE CONTRARY

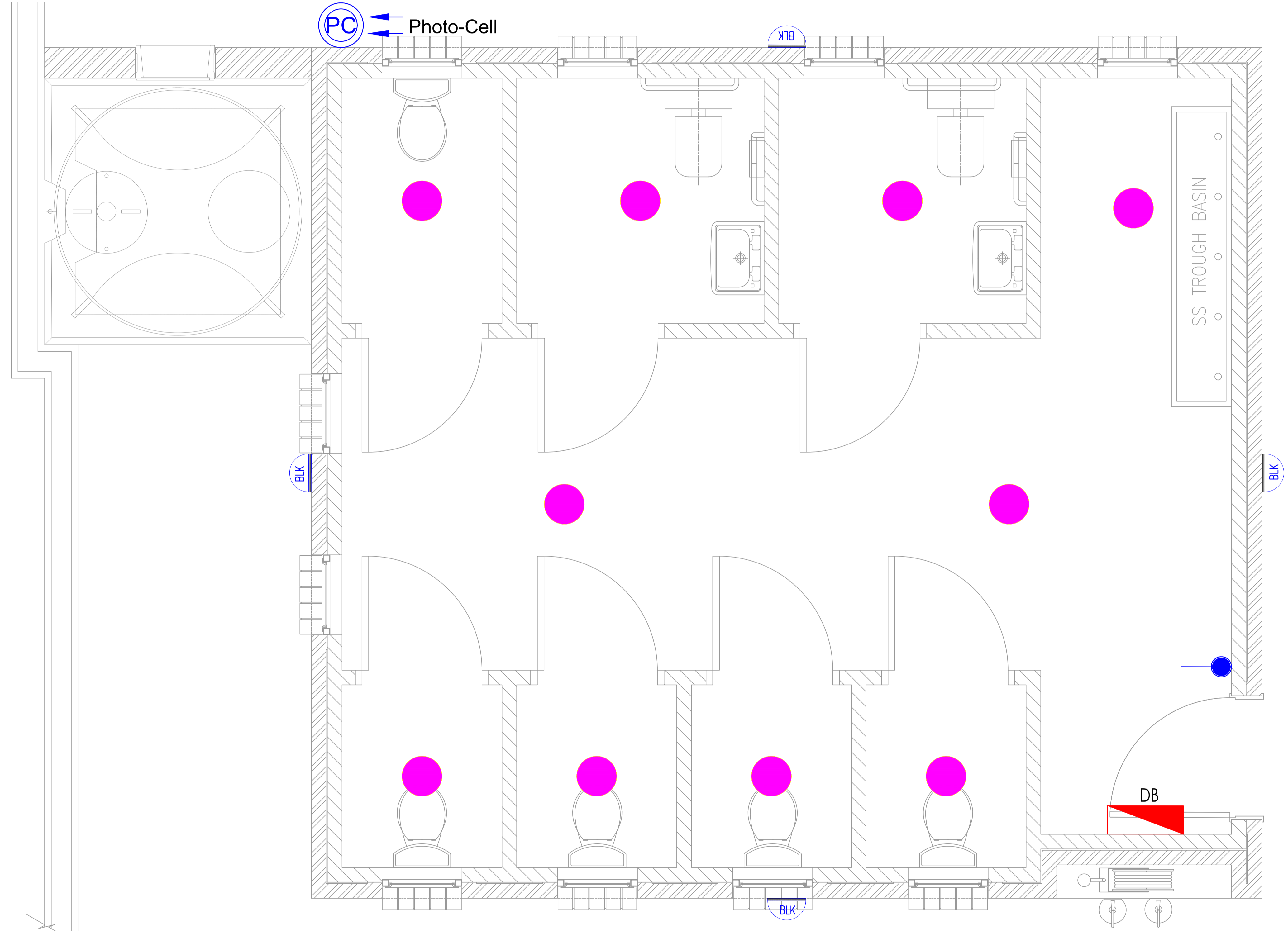
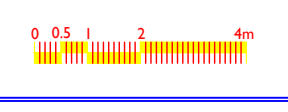
Type of Circuit	Conductor size
lighting	2.5mm ²
socket outlets - 16A	2.5mm ²
lighting - 5A lighting	2.5mm ²
space heaters up to 5kW	4mm ²
water heaters (generators up to 4kW)	2.5mm ²
stores up to 12kW (single phase)	10mm ²
motors up to 2.2kW (single phase)	2.5mm ²
motors up to 4kW (three phase)	2.5mm ²
low voltage circuits	2.5mm ²

5. Abbreviations

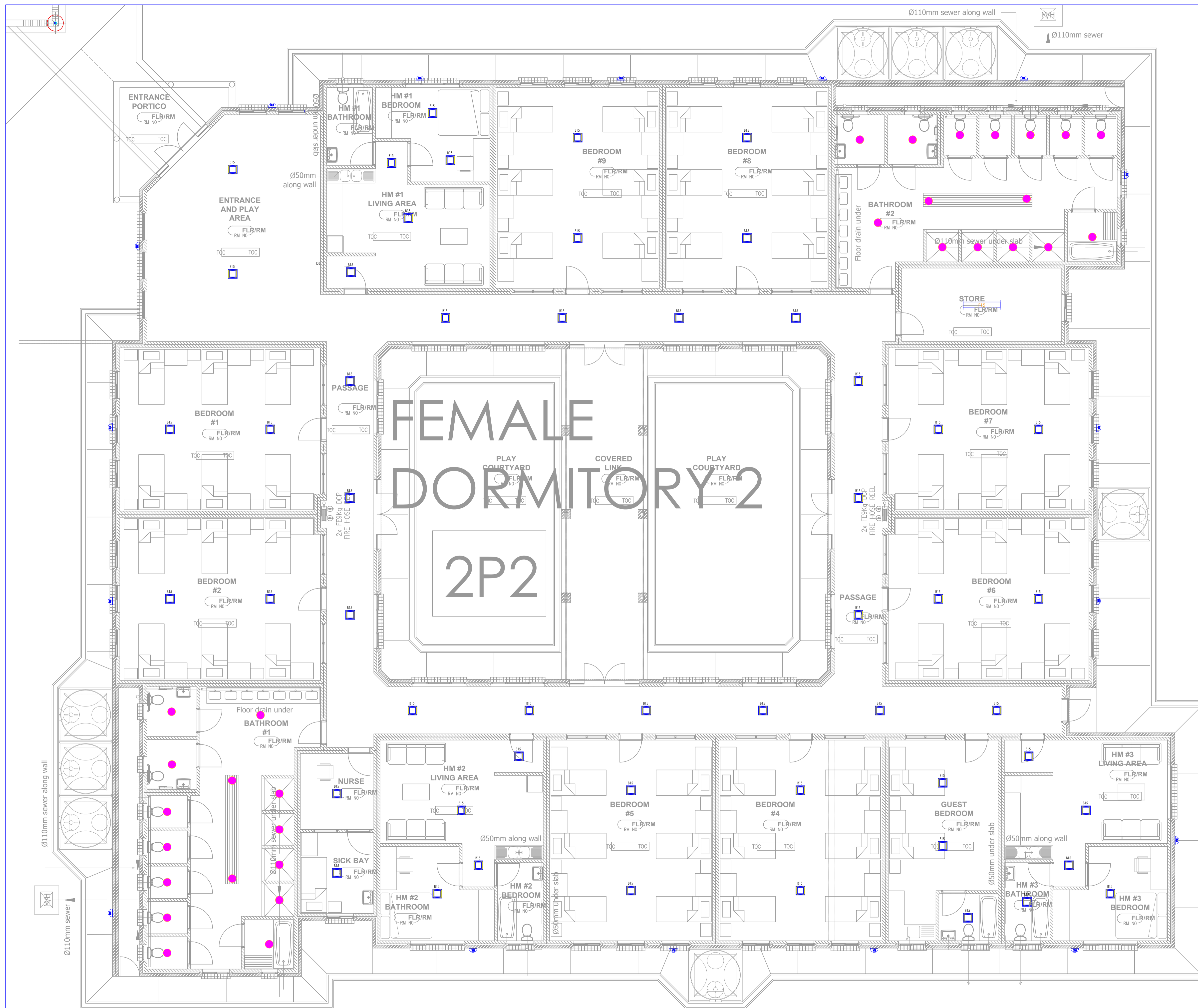
SO - Switched Socket Outlet
SOU - Socket outlet (unswitched)
DUO - Double Switched Socket in one outlet box
AFSL - Above Finished Floor Level
CCTV - Closed Circuit Television
DB - Distribution board
Tel - Telephone board
A - Amp
V - Volt

DRAWING STATUS

Description	Approved AS, BY
Issued For Concept Only	
Issued For Information Only	
Issued For Preliminary Only	
Issued For Construction	
Issued For Final Construction	
AS Built Drawing	

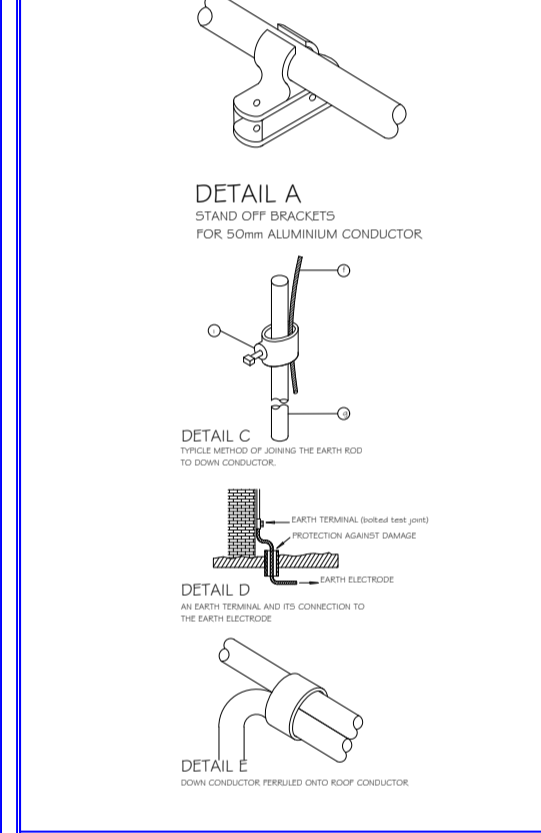
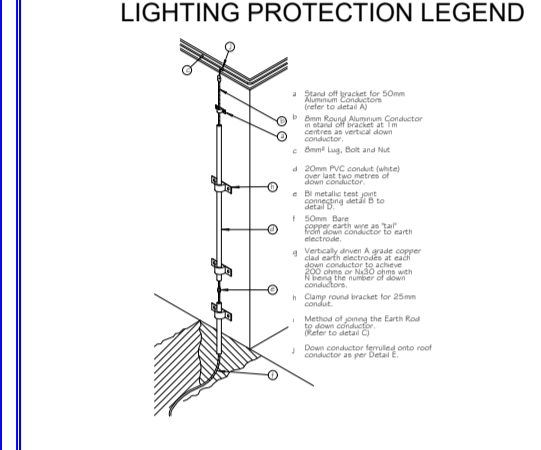


TOILET BLOCKS - ELECTRICAL DESIGN



LIGHTING LEGEND	
DATE:	
	One Way Switch
	Two Way Switch
	D1, Down Lighter
	Water tight Down Lighter
	Chandelier point
	D2, Tri Down Lighter
	F3, 60W LED Fitting
	F15, 40W Vapour Proof LED Fitting
	25W, Square LED Light Fitting
	Round Bulkhead
	Photo Cell
	Extractor fan

POWER LEGEND	
DATE:	
	SINGLE SOCKET OUTLET (NORMAL)
	TWIN SOCKET OUTLET (NORMAL)
	SOCKET OUTLET
	SINGLE SWITCHED DEDICATED SOCKET OUTLET
	TELEPHONE POINT OUTLET
	DATA POINT OUTLET
	POWER SKIRTING
	DISTRIBUTION BOARD REF TO INDICATE CIRCUITS
	DISTRIBUTION BOARD REF TO INDICATE CIRCUITS



GENERAL NOTES

1.1 This drawing is issued ONLY for the SERVICE INDICATED in the titleblock. For Construction details refer to Architectural & co-ordinated drawings.

1.2 The ELECTRICAL CONTRACTOR shall be solely responsible for coordination of this installation with those of the other sub-trades.

1.3 The installation shown on the drawing shall be undertaken in strict accordance with the DT STANDARD SPECIFICATION: SECTION C, unless expressly stated to the contrary.

1.4 The information given hereunder has been abstracted from the above and is provided for ease of reference, but in no way does it replace the contents of Section C or the detailed specification which shall take precedence.

2. OUTLET REFERENCES USED IN SCHEDULE OF OUTLETS & CIRCUITS

Circle & Single the prefix combination of capital letters followed by a number and an outlet refers to the distribution boards (DB) from which it fed.

The first numeral(s) indicates the circuit number and subsequent ones after the point to the outlet on the circuit.

eg: SDBA-P3-R10 - outlet 1 on circuit P3 fed from DB-SDBA.

3. MOUNTING HEIGHTS - UNLESS SHOWN OR SPECIFIED TO THE CONTRARY

All mounting heights shall be finished floor to bottom of outlet box.

Switches: 1400mm generally or 1000mm kitchens

Socket outlets: 300mm generally

1400mm factories

1500mm laboratories

1400mm kitchen / commercial

Distribution boards: generally door head height OR 2000mm where no such reference exists.

4. WIRE SIZES - UNLESS SHOWN OR SPECIFIED TO THE CONTRARY

Type of Circuit	Conductor Size
Lighting	2.5mm ²
socket outlets - 15A	2.5mm ²
- 5A lighting	2.5mm ²
space heaters up to 10A	4mm ²
water heaters / geysers up to 4kW	10mm ²
stoves up to 12kW (single phase)	16mm ²
motors up to 2.2kW (single phase)	2.5mm ²
motors up to 4kW (three phase)	2.5mm ²
low voltage circuits, bells etc.	2.5mm ²

DRAWING STATUS	
Description	Approved AS, BY
Issued For Concept Only	
Issued For Information Only	
Issued For Preliminary Only	
Issued For Construction	
Issued For Final Construction	
AS Built Drawing	

NO.	DATE	AMENDMENT	ENG.

Copyright vests in the Department of Education

preliminary drawings

certified preliminary drawings as per Centralized Drawings Archive PRELIMINARY DRAWING REQUIREMENTS

name:

cost file name: page 1000

sheet no: A 1

Sponsor

Electrical / Mech. Engineer

REG NO.: CK 0005/10743702

MTHATHA OFFICE 38 Mthatha Street Southernwood Mthatha, 5100	EAST LONDON OFFICE 26 Rhodes Street Gaughey East London 2021	KOKSTAD OFFICE 13 Hawthorn Street Kokstad 4700
---	--	--

Tel: +27 47 531 1189 Fax: +27 43 742 6023
Tel: +27 39 727 4825 Fax: +27 43 742 3023 Fax: +27 39 727 1965

discipline: ELECTRICAL ENGINEER

service:

SIVE SPECIAL SCHOOL: PHASE II

WCS number:

drawing title:

DOMITORY BLOCK 2 (2P2): LIGHTING & POWER LAYOUT

ref no. 01	designed Mr. S. Bam
scale N.T.S	drawn Mr. S. Nonkondo
date: May 2023	checked Mr. A. Myathaza
drawing number	

EE 0031/LL/PO/03

DOMITORY BLOCK 2 (2P2) - LIGHTING & POWER LAYOUT