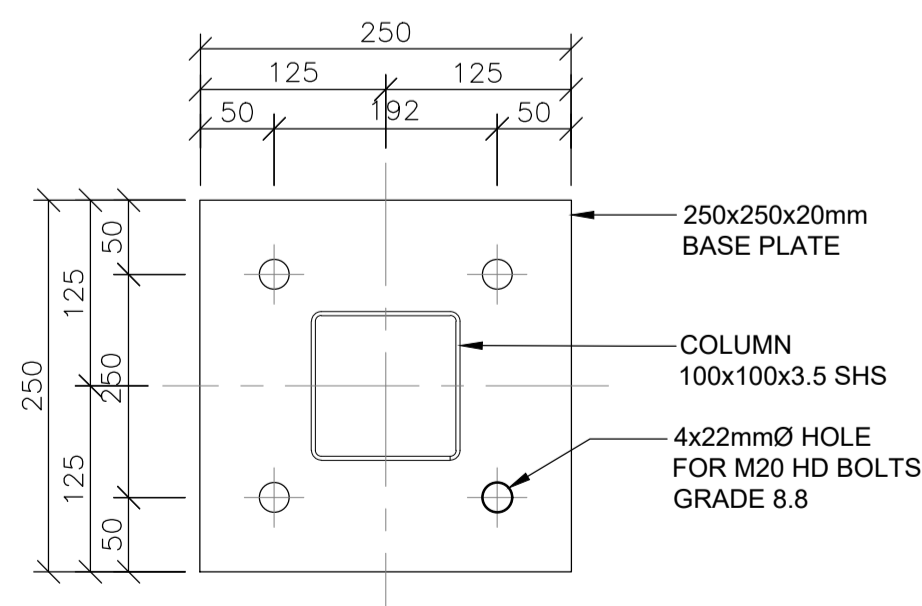
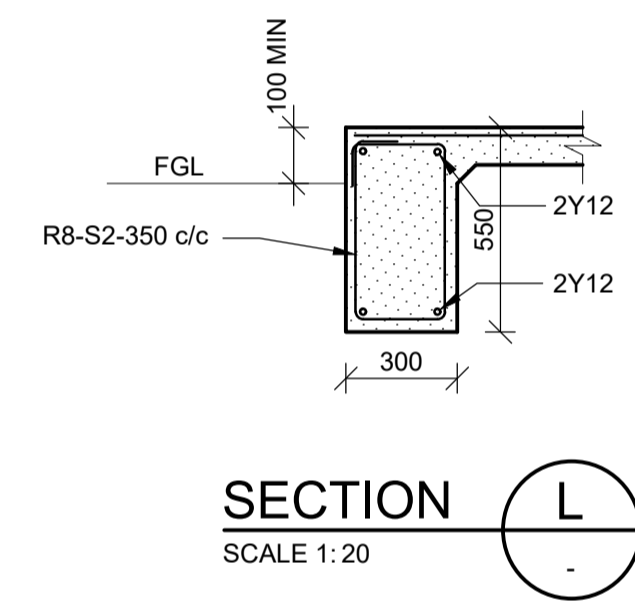
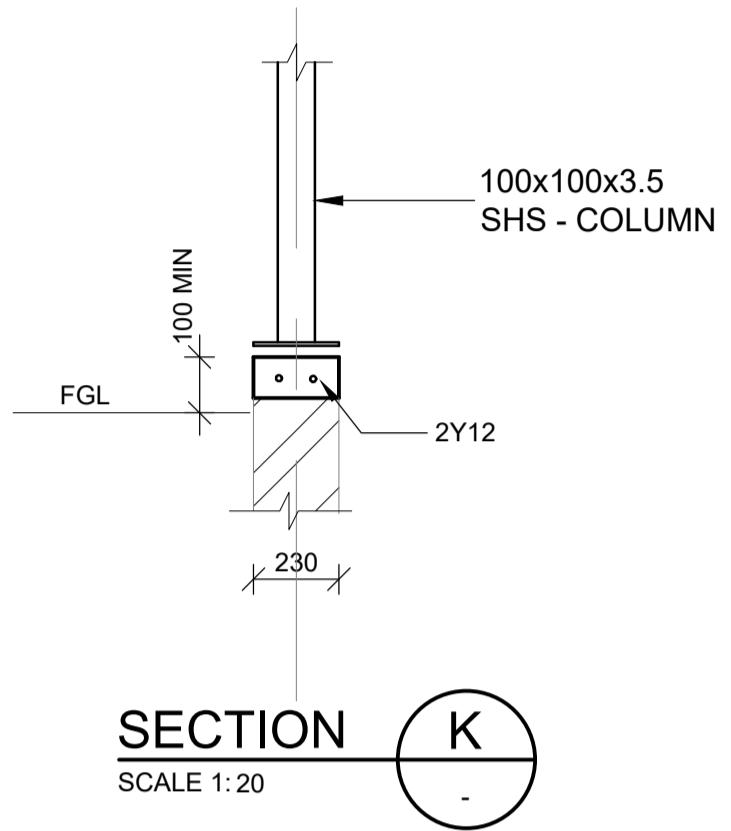
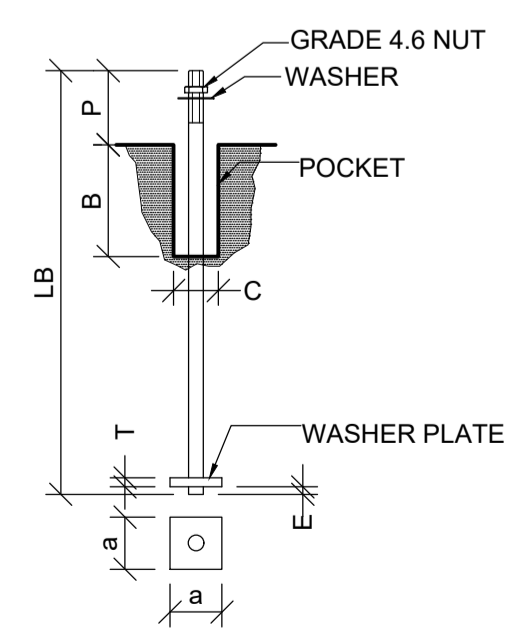


GRADE R PLAY AREA - RAFT FOUNDATION LAYOUT
SCALE 1: 50



TYPICAL BASE PLATE DETAIL
SCALE 1:5



TYPICAL HOLDING DOWN BOLT DETAIL
SCALE 1: 10

HOLDING DOWN BOLT SCHEDULE									
BOLT						ANCHOR PLATE		POCKET	
MARK	NO OFF	DIA	LENGTH	PROTRUSION	PROJECTION	SIZE	THICKNESS	DEPTH	DIA
-	-		LB	E	P	a x a	T	B	C
HD1	-	20	575	10	150	110x110	14	100	75

Notes:

REFERENCE DRAWINGS	
Dwg. No.	Description
-	-
-	-
-	-

Copyright vests in the Department of Eastern Cape Department of Education

AS-BUILT DRAWINGS

certified as-built drawings as per Centralised Drawing Archive AS-BUILT DRAWING REQUIREMENTS

Name: _____

Date: _____

Professional Registration No.: _____

No.	DATE	AMENDMENT	Rev By
T	29-06-2023	ISSUED FOR TENDER	A.V

Cad File Name
Blocks 2023-07-06.dwg

Checked By Consultant

E.M. CHIRWA 20020003
Name Professional Registration No.

Signature 06-02-2023
Date

Consultant

MOLEMO
CONSULTING ENGINEERS

BLOCK E
73 VILLIERS DRIVE
CLARENDON
PIETERMARITZBURG, 4700.
CELL: 082 714 4400
Email: admin@molemo.co.za

P.O. BOX 995
PIETERMARITZBURG
3200
TEL: 033 342 7963
TEL: 033 345 2288

Discipline **CIVIL AND STRUCTURAL**

idT
Independent development trust

BROADCAST HOUSE, SISSON STREET
FORT GALE
PRIVATE BAG 15275
UMTATA, 5100.

Project
**DEPARTMENT OF EDUCATION
EASTERN CAPE PROVINCE
CONSTRUCTION OF
MALUTI SPECIAL SCHOOL
PHASE 2**

Drawing Description
**MALUTI SPECIAL SCHOOL
PHASE 2
GRADE R PLAY AREA
FOUNDATION LAYOUT**

Drawn: A.V Date: 06-02-2023

Scale **AS SHOWN** Sheet Size: **A1**

Consultant Drawing Number **IDT-EC-PH2-MOL-S521** Revision **T**

DOW Drawing Number **IDT-EC-PH2-MOL-S521** Revision **T**

Stamped by Plans Approval Committee