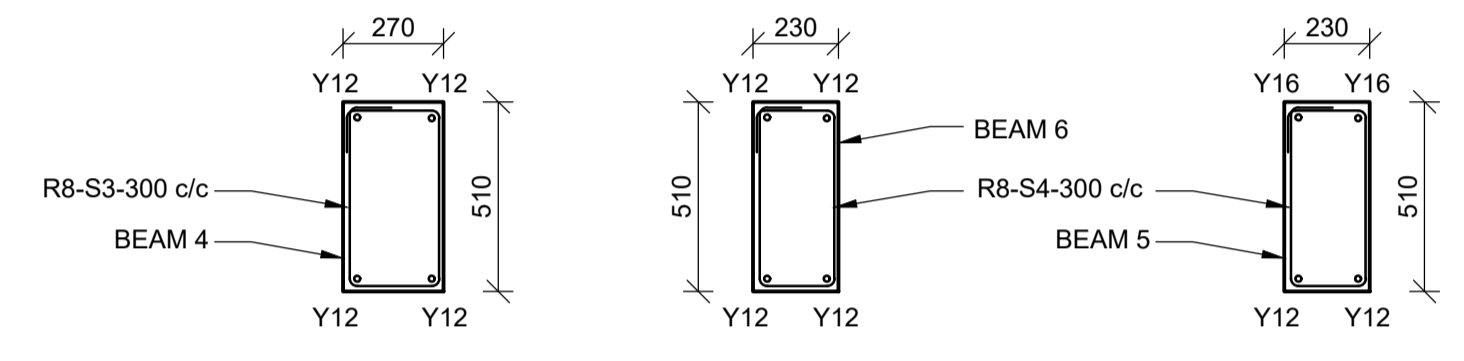
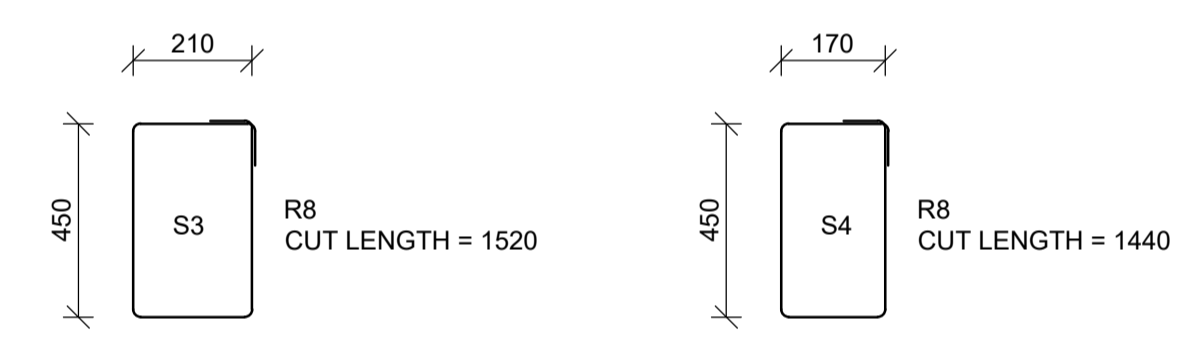


2000 \varnothing COLUMN DETAIL
SCALE 1: 20



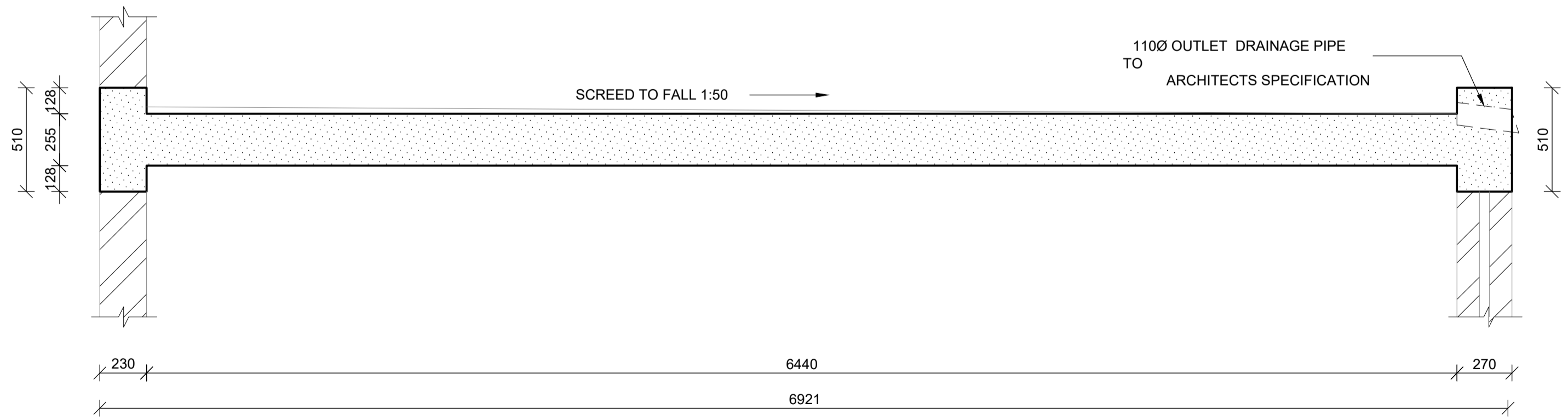
BEAM DETAIL
SCALE 1: 20



STIRRUPS DETAIL
SCALE 1: 20

NOTE
REFER TO ARCHITECTURAL DRAWINGS FOR WALL & COLUMN POSITIONS
REFER TO ARCHITECTURAL DRAWINGS FOR WATERPROOFING DETAILS

DORMITORY ENTRANCE SLAB LAYOUT
SCALE 1: 50



SECTION J
SCALE 1: 20

Notes:

REFERENCE DRAWINGS	
Dwg. No.	Description
-	-
-	-
-	-
-	-

Copyright vests in the Department of Eastern Cape Department of Education
AS-BUILT DRAWINGS
certified as-built drawings as per Centralised Drawing Archive AS-BUILT DRAWING REQUIREMENTS
Name: _____
Date: _____
Professional Registration No.: _____

No.	DATE	AMENDMENT	Rev By
T	29-06-2023	ISSUED FOR TENDER	A.V

Cad File Name
Blocks 2023-07-06.dwg

Checked By Consultant
E.M. CHIRWA
Name
20020003
Professional Registration No.
Signature
06-02-2023
Date
Consultant

MOLEMO
CONSULTING ENGINEERS

BLOCK E
73 VILLIERS DRIVE
CLARENDON
PIETERMARITZBURG, 4700.
CELL: 082 714 4400
Email: admin@molemo.co.za

P.O. BOX 995
PIETERMARITZBURG
3200
TEL: 033 342 7953
TEL: 033 345 2288

Discipline **CIVIL AND STRUCTURAL**

idT
Independent Development Trust

BROADCAST HOUSE, SISSON STREET
FORT GALE
PRIVATE BAG 15275
UMTATA, 5100.

Project
**DEPARTMENT OF EDUCATION
EASTERN CAPE PROVINCE
CONSTRUCTION OF
MALUTI SPECIAL SCHOOL
PHASE 2**

Drawing Description
**MALUTI SPECIAL SCHOOL
PHASE 2
TYPICAL DETAILS 7**

Drawn: A.V	Date: 06-02-2023
Scale: AS SHOWN	Sheet Size: A1
Consultant Drawing Number IDT-EC-PH2-MOL-S520	Revision T
DOW Drawing Number IDT-EC-PH2-MOL-S520	Revision T

Stamped by Plans Approval Committee