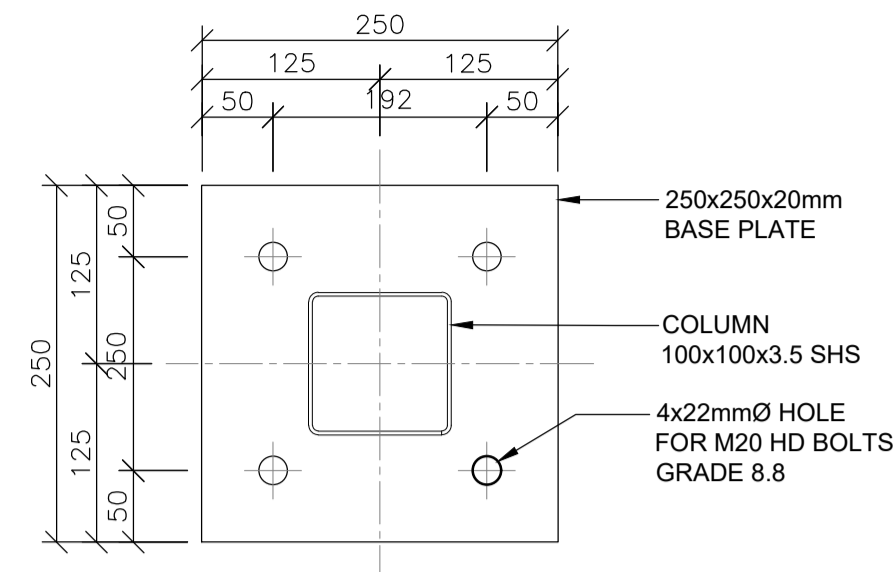


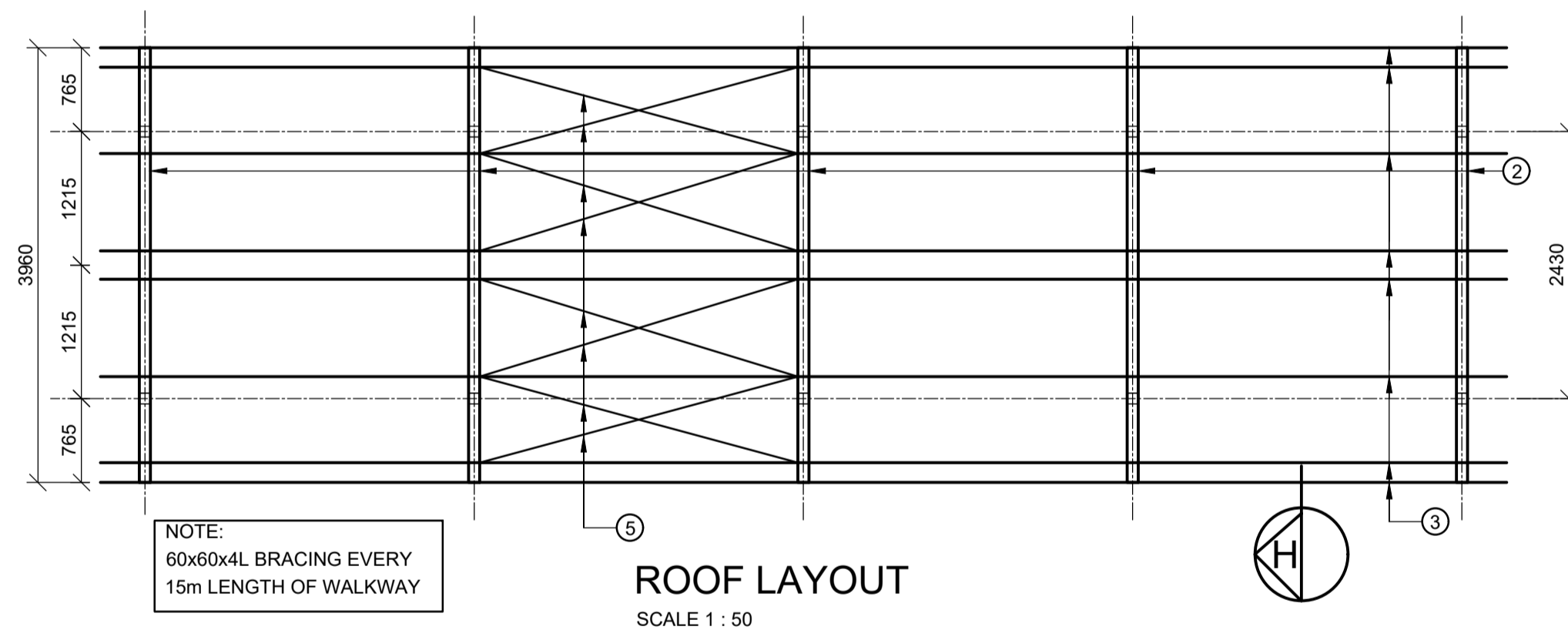
TYPICAL HOLDING DOWN BOLT DETAIL
SCALE 1: 10



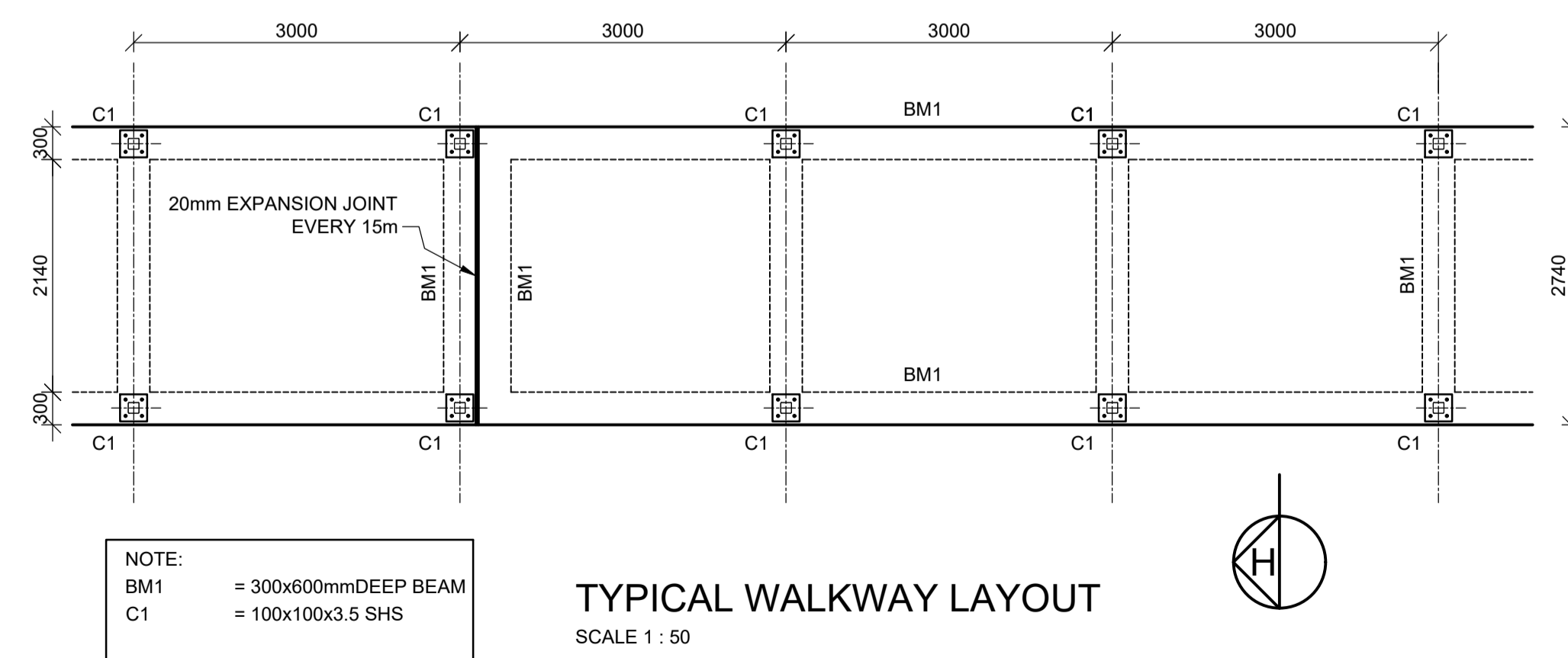
TYPICAL BASE PLATE DETAIL
SCALE 1: 5

MARK	MEMBER
①	100x100x3.5 SHS - COLUMN
②	100x100x3.5 SHS - RAFTER
③	75x50x20x3 CLFC
④	75x50x6 L CLEAT
⑤	60x60x4 L BRACING

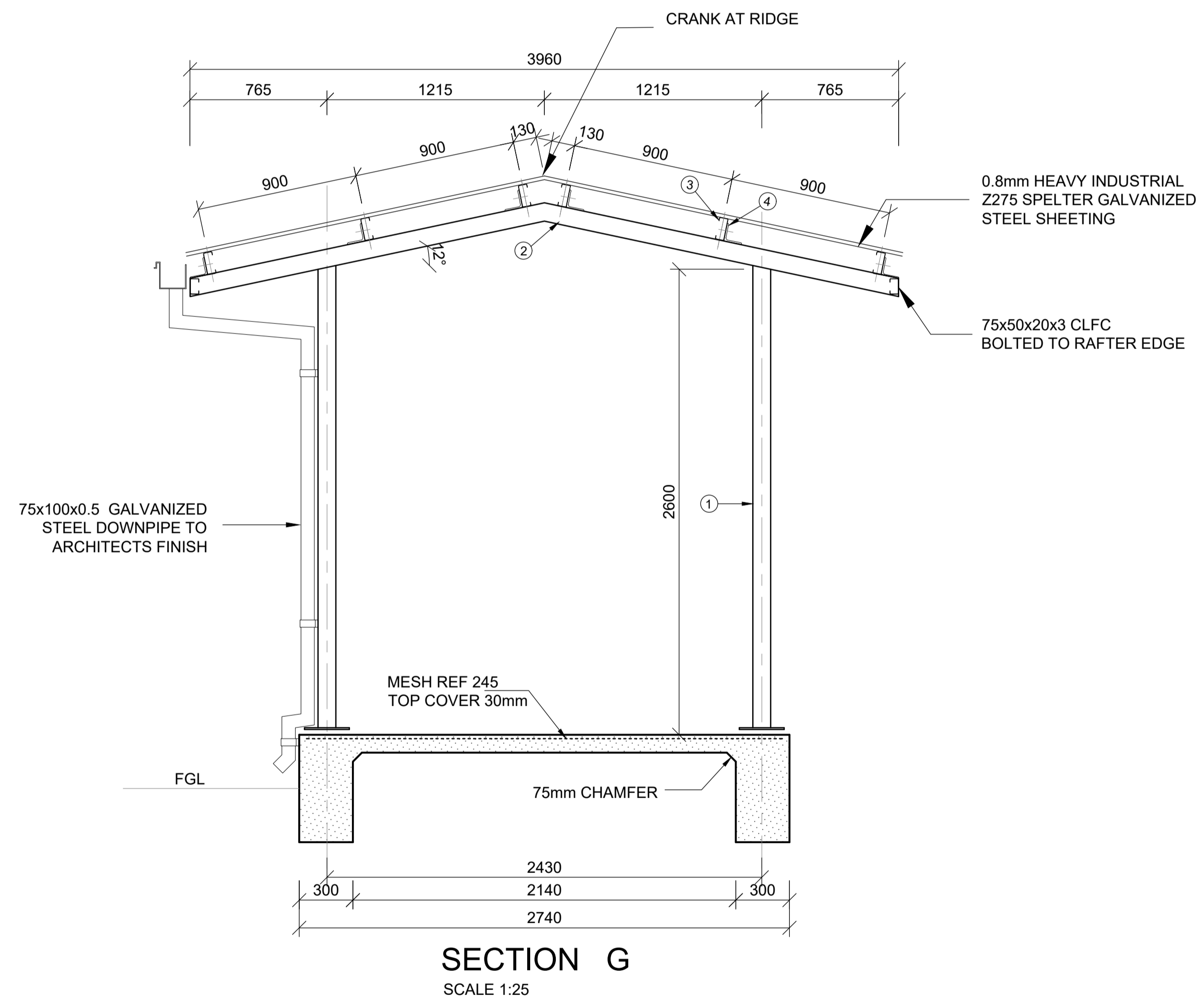
HOLDING DOWN BOLT SCHEDULE									
BOLT						ANCHOR PLATE		POCKET	
MARK	NO OFF	DIA	LENGTH	PROTRUSION	PROJECTION	SIZE	THICKNESS	DEPTH	DIA
-	-	-	LB	E	P	a x a	T	B	C
HD1	-	20	575	10	150	110x110	14	100	75



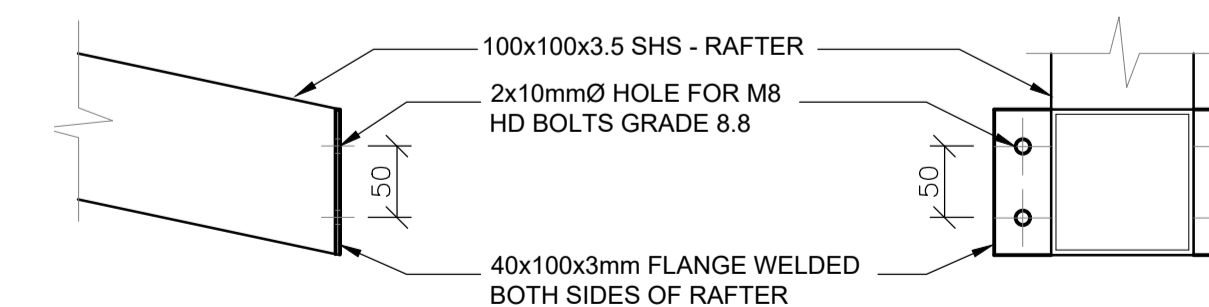
ROOF LAYOUT
SCALE 1: 50



TYPICAL WALKWAY LAYOUT
SCALE 1: 50



SECTION G
SCALE 1: 25



SIDE VIEW

ELEVATION

RAFTER EDGE DETAIL
SCALE 1: 5

Notes:

REFERENCE DRAWINGS	
Dwg. No.	Description
-	-

Copyright vests in the
Department of Eastern Cape Department of Education

AS-BUILT DRAWINGS
certified as-built drawings as per Centralised Drawing
Archive AS-BUILT DRAWING REQUIREMENTS

Name: _____
Date: _____
Professional Registration No.: _____

No.	DATE	AMENDMENT	Rev By
T	29-06-2023	ISSUED FOR TENDER	A.V

Cad File Name
Walkway 2023-06-28.dwg

Checked By Consultant
E.M. CHIRWA 20020003
Name Professional Registration No.
Signature Date
06-02-2023

Consultant

BLOCK E
73 VILLIERS DRIVE
CLARENDON
PIETERMARITZBURG, 4700.
CELL: 082 714 4400
Email: admin@molemo.co.za

P.O. BOX 995
PIETERMARITZBURG
3200
TEL: 033 342 7953
TEL: 033 345 2288

Discipline: CIVIL AND STRUCTURAL

Independent Development Trust
BROADCAST HOUSE, SISSON STREET
FORT GALE
PRIVATE BAG X5275
UMTATA, 5100.

Project
DEPARTMENT OF EDUCATION
EASTERN CAPE PROVINCE
CONSTRUCTION OF
MALUTI SPECIAL SCHOOL
PHASE 2

Drawing Description
MALUTI SPECIAL SCHOOL
PHASE 2
TYPICAL DETAILS 4

Drawn: A.V	Date: 06-02-2023
Scale: AS SHOWN	Sheet Size: A1
Consultant Drawing Number IDT-EC-PH2-MOL-S517	Revision T
DOW Drawing Number IDT-EC-PH2-MOL-S517	Revision T

Stamped by Plans Approval Committee