

Notes:

REFERENCE DRAWINGS	
Dwg. No.	Description
-	-
-	-
-	-

Copyright vests in the  
Department of Eastern Cape Department of Education

AS-BUILT DRAWINGS  
certified as-built drawings as per Centralised Drawing  
Archive AS-BUILT DRAWING REQUIREMENTS

Name: \_\_\_\_\_  
Date: \_\_\_\_\_  
Professional Registration No.: \_\_\_\_\_

No.	DATE	AMENDMENT	Rev By
T	29-06-2023	ISSUED FOR TENDER	A.V

Cad File Name  
Blocks 2023-06-28.dwg

Checked By Consultant

E.M. CHIRWA 20020003  
Name Professional Registration No.

Signature 06-02-2023  
Date

Consultant



**MOLEMO**  
CONSULTING ENGINEERS

BLOCK E  
73 VILLIERS DRIVE  
CLARENDON  
PIETERMARITZBURG, 4700.  
3200  
CELL: 082 714 4400  
Email: admin@molemo.co.za

P.O. BOX 995  
PIETERMARITZBURG  
3200  
TEL: 033 342 7953  
TEL: 033 345 2288

Discipline **CIVIL AND STRUCTURAL**



**idT**  
Independent Development Trust

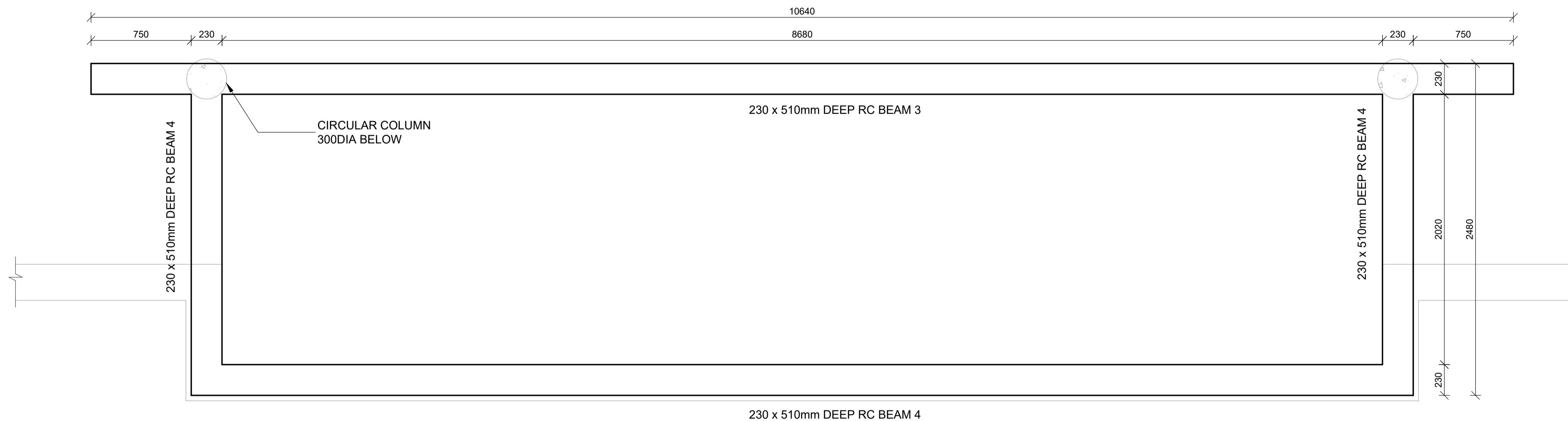
BROADCAST HOUSE, SISSON STREET  
FORT GALE  
PRIVATE BAG 16275  
UMTATA, 5100.

Project  
**DEPARTMENT OF EDUCATION  
EASTERN CAPE PROVINCE  
CONSTRUCTION OF  
MALUTI SPECIAL SCHOOL  
PHASE 2**

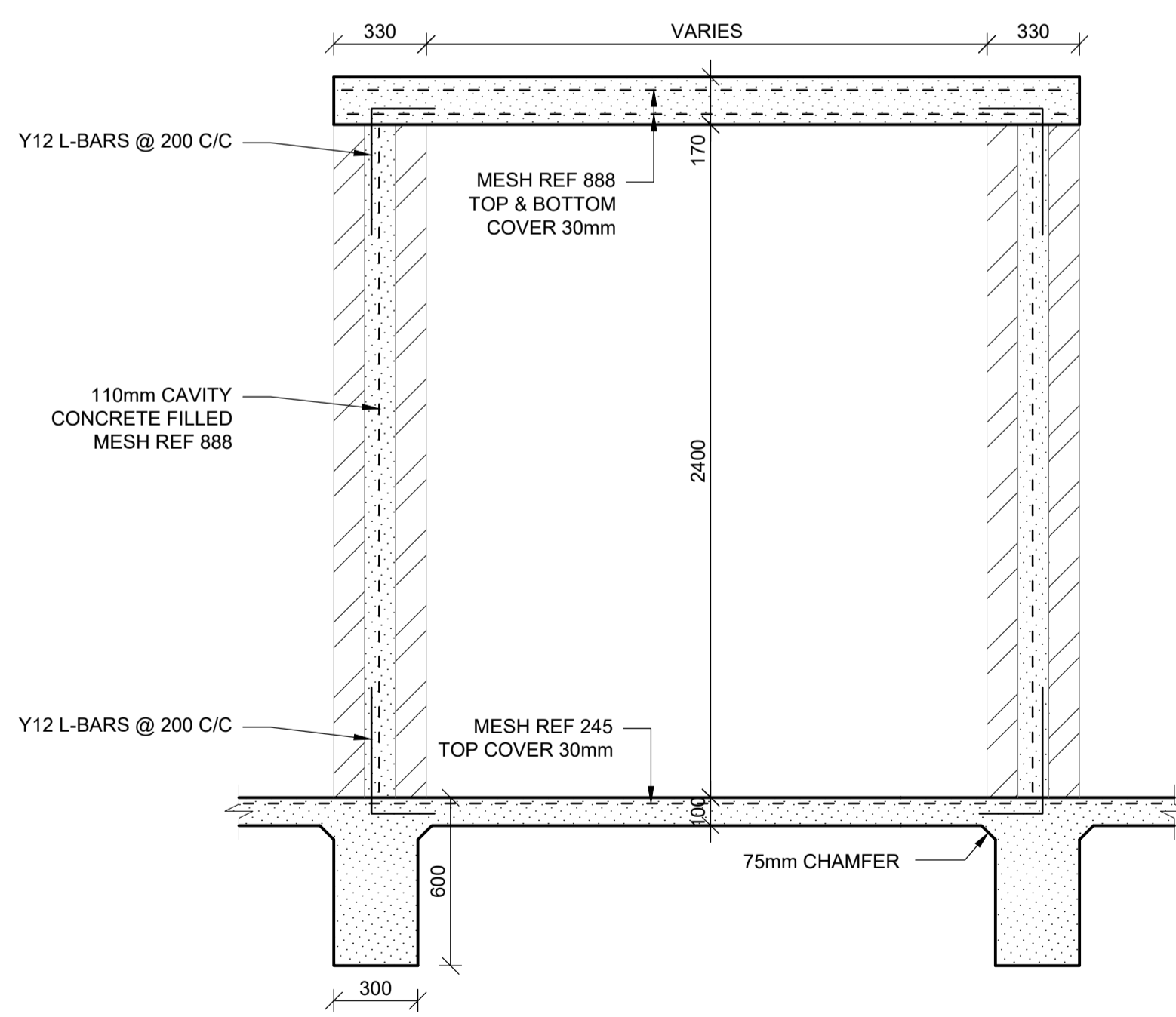
Drawing Description  
**MALUTI SPECIAL SCHOOL  
PHASE 2  
TYPICAL DETAILS 2**

Drawn: A.V	Date: 06-02-2023
Scale: AS SHOWN	Sheet Size: A1
Consultant Drawing Number IDT-EC-PH2-MOL-S515	Revision T
DOW Drawing Number IDT-EC-PH2-MOL-S515	Revision T

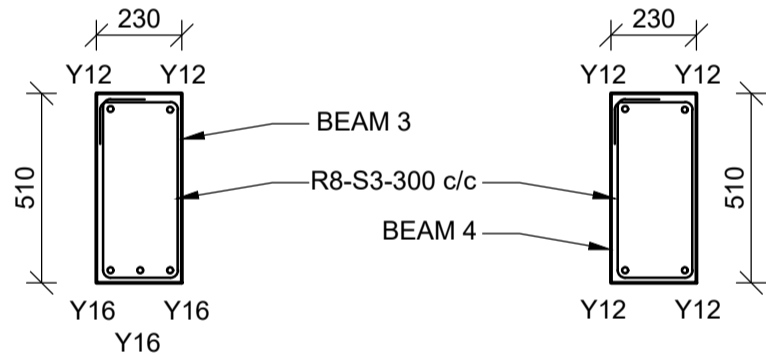
Stamped by Plans Approval Committee



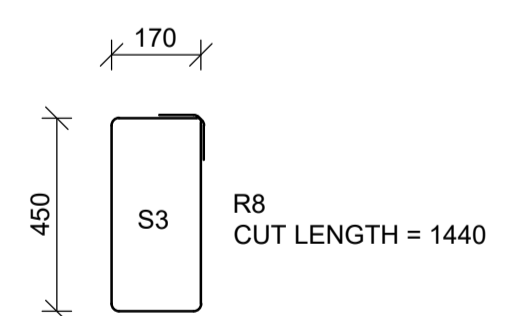
**ADMINISTRATION VERANDAH BEAM LAYOUT**  
SCALE 1: 20



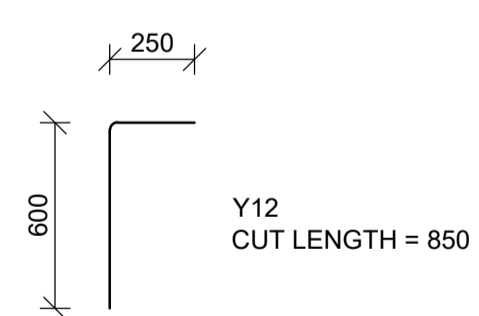
**STRONG ROOM DETAIL**  
SCALE 1: 20



**BEAM DETAIL**  
SCALE 1: 20



**STIRRUPS DETAIL**  
SCALE 1: 20



**L-BAR DETAIL**  
SCALE 1: 20