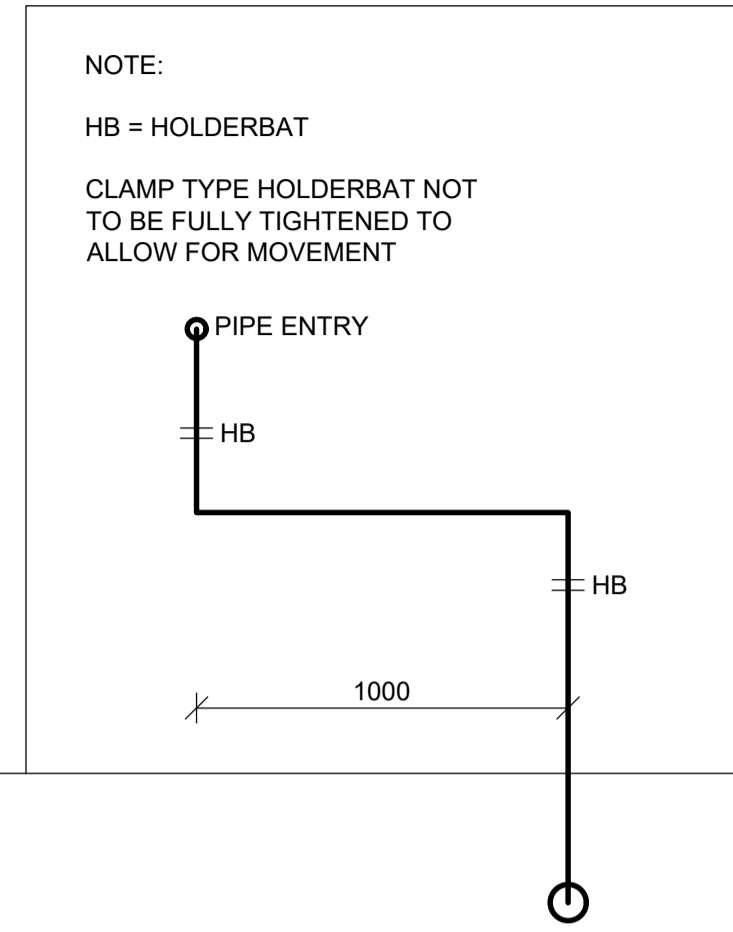
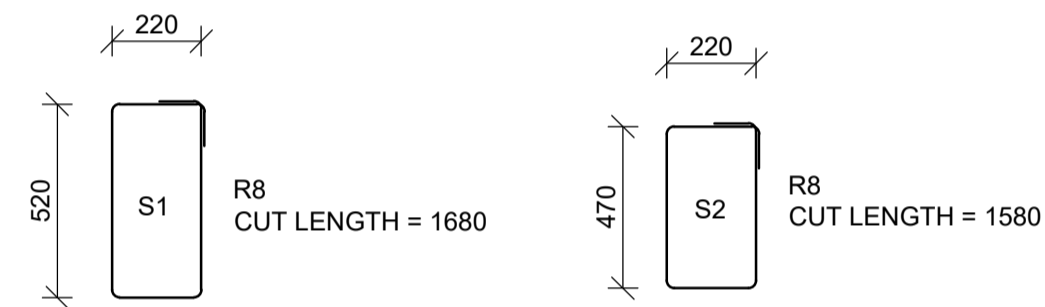


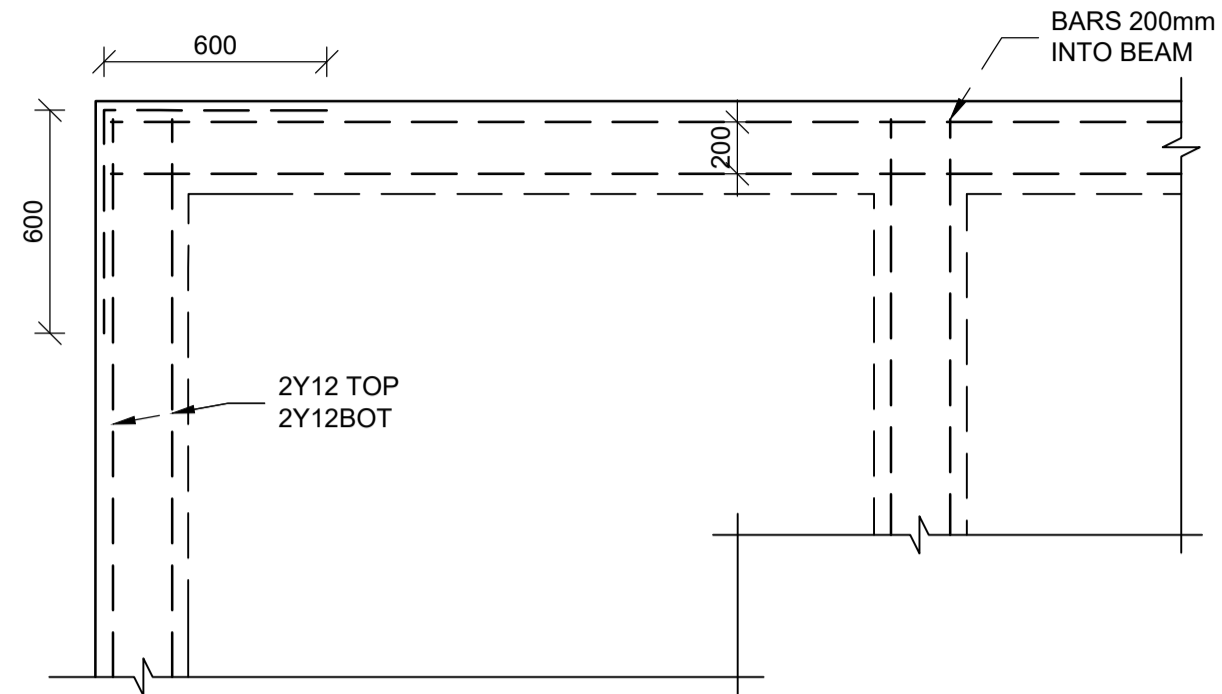
**RIGID/SEMI FLEXIBLE PIPE**  
SCALE 1: 20



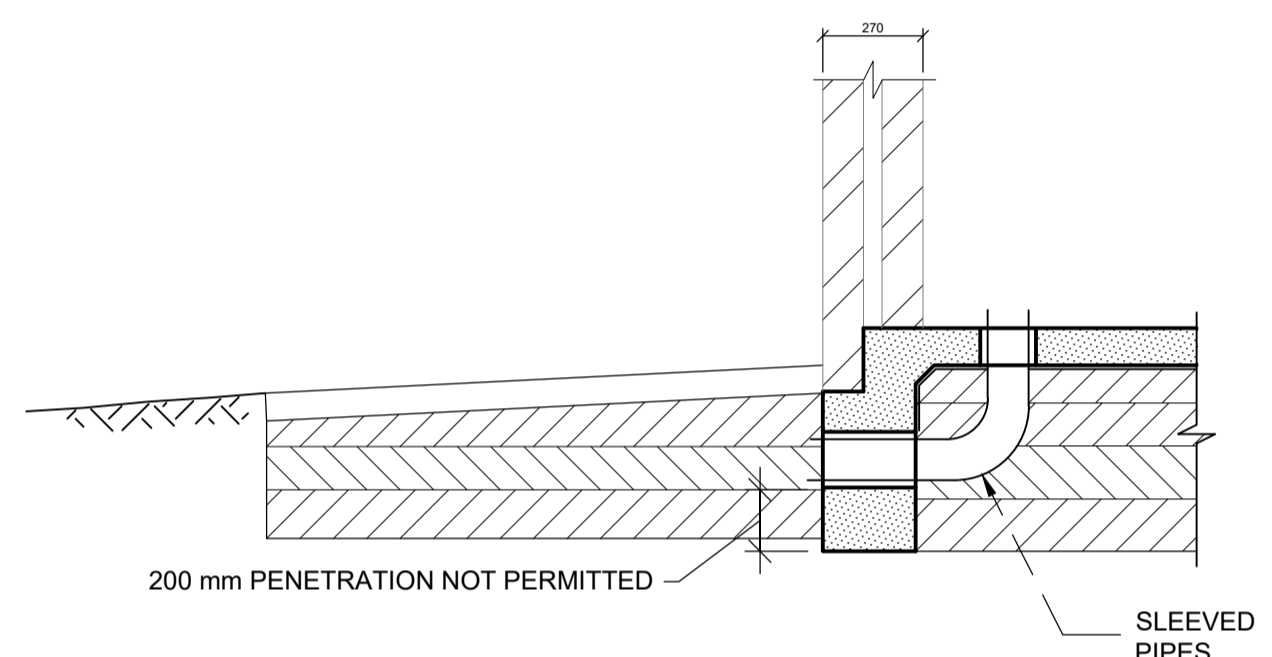
**RIGID/SEMI FLEXIBLE PIPE**  
SCALE 1: 20



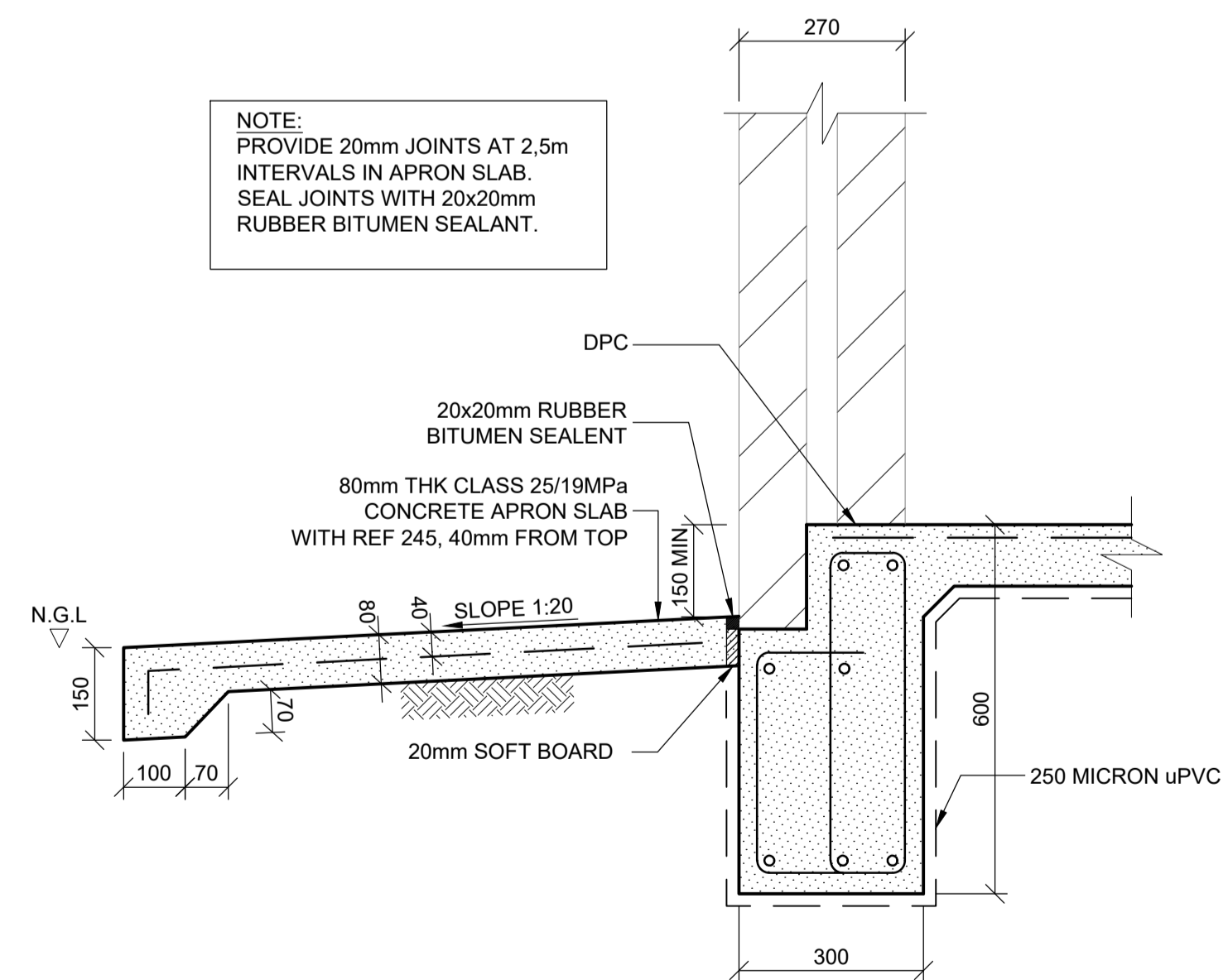
**STIRRUPS DETAIL**  
SCALE 1: 20



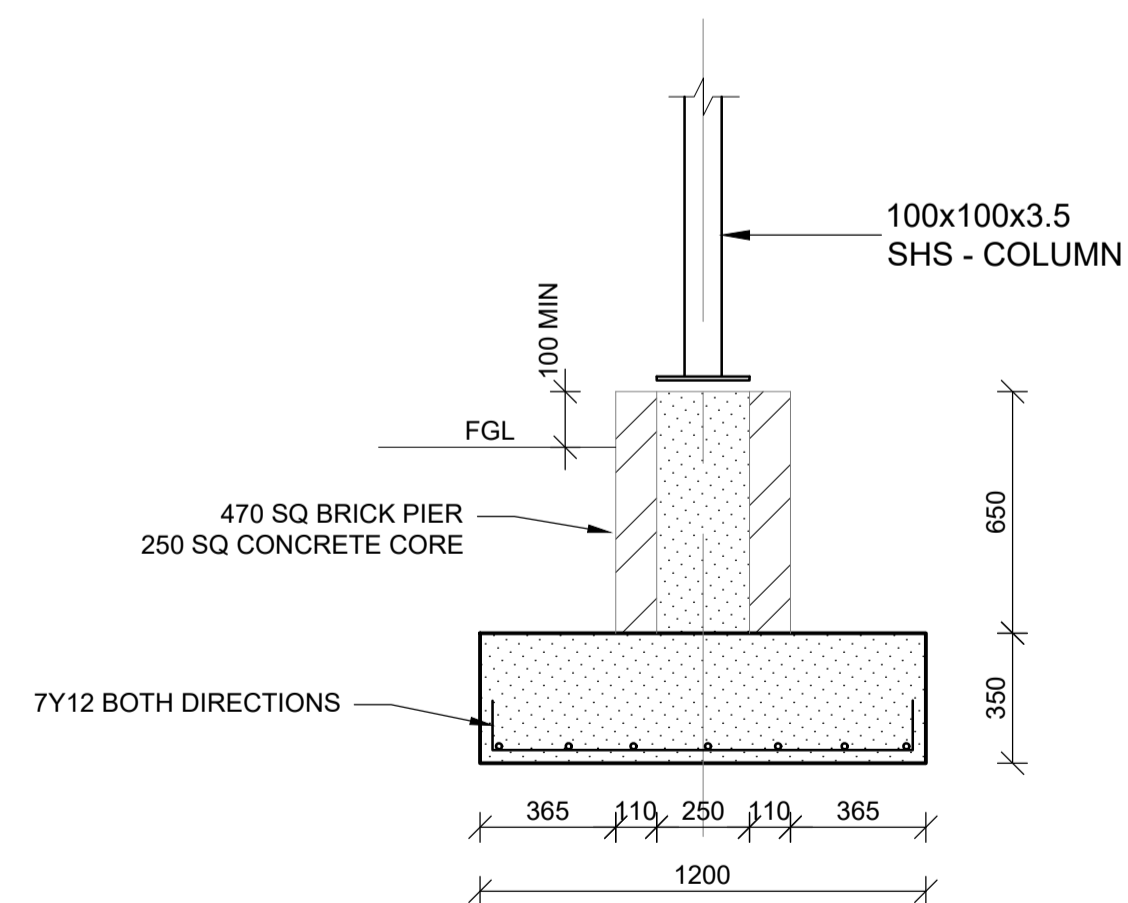
**TYPICAL PLAN OF REINFORCING AT CORNERS**  
SCALE 1: 20



**SEWERS DETAIL**  
SCALE 1: 20



**TYPICAL APRON DETAIL**  
SCALE 1: 10



**RC BASE B1 TYPICAL DETAIL**  
SCALE 1: 20

CONCRETE 25 MPa  
COVER TO REINFORCING - 40mm ALL ROUND  
PLUMBING AND ELECTRICAL TO BE INSTALLED BEFORE CASTING OF CONCRETE  
LAP LENGTH MIN 600mm  
EARTHWORKS - REFER TO CIVIL DRAWINGS FOR SPECIFICATIONS

**FOUNDATIONS**

- STIFFENED REINFORCED RAFT FOUNDATION ON WELL COMPACTED ENGINEERED FILL MATERIAL
- LIMIT THE APPLIED PRESSURE ON THE FOUNDATION MATERIAL TO A VALUE NOT EXCEEDING 50 KPA
- CONCRETE STRENGTH = 25 MPa
- APRON SLAB AROUND BLOCKS REQUIRED TO CONTROL WATER NEAR FOUNDATIONS

**WATER SUPPLY**

- WATER PIPES TO BE POLYPROPYLENE OR HDPE TYPE IV PIPING WITH FLEXIBLE COUPLINGS.
- AT ENTRY POINTS INTO BUILDINGS, THE PIPES MUST BE KINKED TO ENSURE THAT DIFFERENTIAL MOVEMENT CAN BE ACCOMMODATED.
- ALL PIPES TO BE PRESSURE TESTED PRIOR TO BACKFILL.
- NO PIPES WILL BE ALLOWED UNDER THE BUILDINGS.
- THE POSITION OF THE PIPELINE WILL BE MARKED WITH PERMANENT MARKERS.

**SEWER LINES**

- ALL SEWERS ARE CONNECTED TO THE MUNICIPAL SYSTEM.
- SEWER TRENCHES WILL BE BACKFILLED BY COMPACTING THE MATERIAL AS PER SABS 1200 DA SPECIFICATIONS.
- THE EXCAVATED TRENCH BOTTOMS WILL FALL AWAY FROM THE BUILDINGS
- FLEXIBLE PIPING AND CONNECTIONS WILL BE USED THROUGHOUT.
- ALL PIPES WILL BE PRESSURE TESTED PRIOR TO BACKFILLING.
- A CLOSED-SYSTEM, ONLY USING RODDING EYES WILL BE USED.
- NO PIPES UNDER THE BUILDING WILL BE ALLOWED.
- SEWER PIPES THROUGH FOUNDATIONS AND WALLS TO BE SLEEVED. (SEE DETAIL)

**STORMWATER**

**STORMWATER MANAGEMENT PLAN:**

- THE GROUND MUST BE SHAPED TO ENSURE THAT ALL SURFACE WATER WILL DRAIN AWAY FROM THE BUILDING AT MINIMUM SLOPES OF 1:100.
- AN APRON SLAB, WILL BE CONSTRUCTED AROUND THE BUILDINGS. (SEE DETAIL).
- OPEN DRAINS LINED WITH CONCRETE WILL DISCHARGE STORMWATER TO THE LOWER PORTION OF THE SITE.
- NO UNCONTROLLED DAMMING OF WATER WILL BE ALLOWED ON THE ERF.

Notes:

REFERENCE DRAWINGS	
Dwg. No.	Description
-	-
-	-
-	-
-	-

Copyright vests in the Department of Eastern Cape Department of Education

AS-BUILT DRAWINGS  
certified as-built drawings as per Centralised Drawing Archive AS-BUILT DRAWING REQUIREMENTS

Name: \_\_\_\_\_  
Date: \_\_\_\_\_  
Professional Registration No.: \_\_\_\_\_

No.	DATE	AMENDMENT	Rev By
T	29-06-2023	ISSUED FOR TENDER	A.V

Cad File Name  
Blocks 2023-06-28.dwg

Checked By Consultant

E.M. CHIRWA 20020003  
Name Professional Registration No.

Signature 06-02-2023  
Date

Consultant

MOLEMO  
CONSULTING ENGINEERS

BLOCK E  
73 VILLIERS DRIVE  
CLARENDON  
PIETERMARITZBURG, 4700.  
CELL: 082 714 4400  
Email: admin@molemo.co.za

P.O. BOX 995  
PIETERMARITZBURG  
3200  
TEL: 033 342 7963  
TEL: 033 345 2288

Discipline **CIVIL AND STRUCTURAL**

idT  
Independent development trust

BROADCAST HOUSE, SISSON STREET  
FORT GALE  
PRIVATE BAG 152275  
UMTATA, 5100.

Project  
**DEPARTMENT OF EDUCATION  
EASTERN CAPE PROVINCE  
CONSTRUCTION OF  
MALUTI SPECIAL SCHOOL  
PHASE 2**

Drawing Description  
**MALUTI SPECIAL SCHOOL  
PHASE 2  
TYPICAL DETAILS**

Drawn: A.V	Date: 06-02-2023
Scale: AS SHOWN	Sheet Size: A1
Consultant Drawing Number IDT-EC-PH2-MOL-S514	Revision T
DOW Drawing Number IDT-EC-PH2-MOL-S514	Revision T

Stamped by Plans Approval Committee