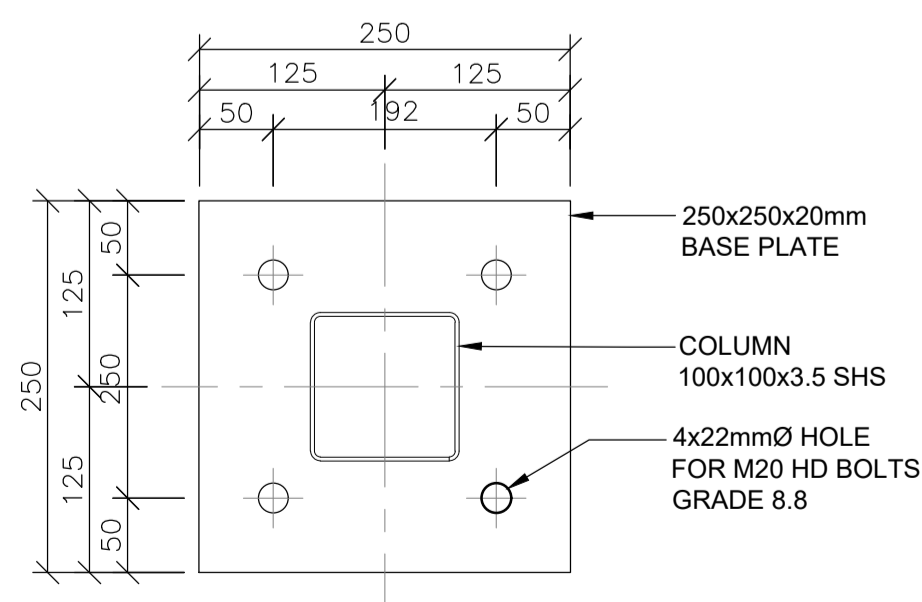


MEMBER LEGEND

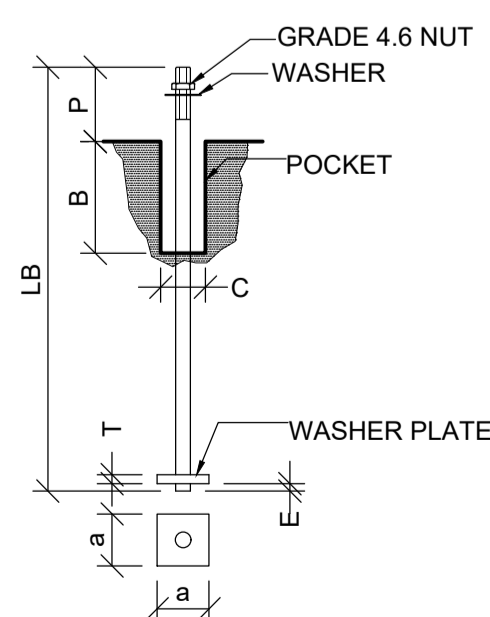
BM 1 = RC BEAM 300 x 600mm DEEP
 BM 2 = RC BEAM 300 x 550mm DEEP
 BM 3 = RC BEAM 300 x 600mm DEEP

WORKSHOP BLOCK - RAFT FOUNDATION LAYOUT
 SCALE 1: 50

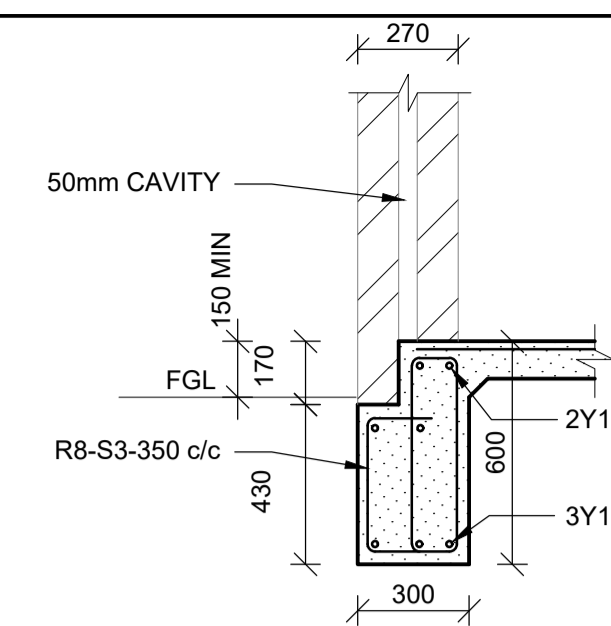
NOTE
 REFER TO ARCHITECTURAL DRAWINGS FOR WALL POSITIONS



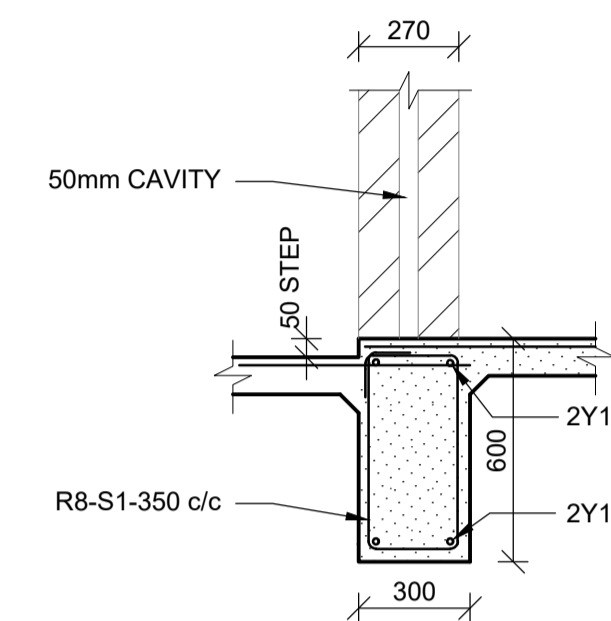
TYPICAL BASE PLATE DETAIL
 SCALE 1:5



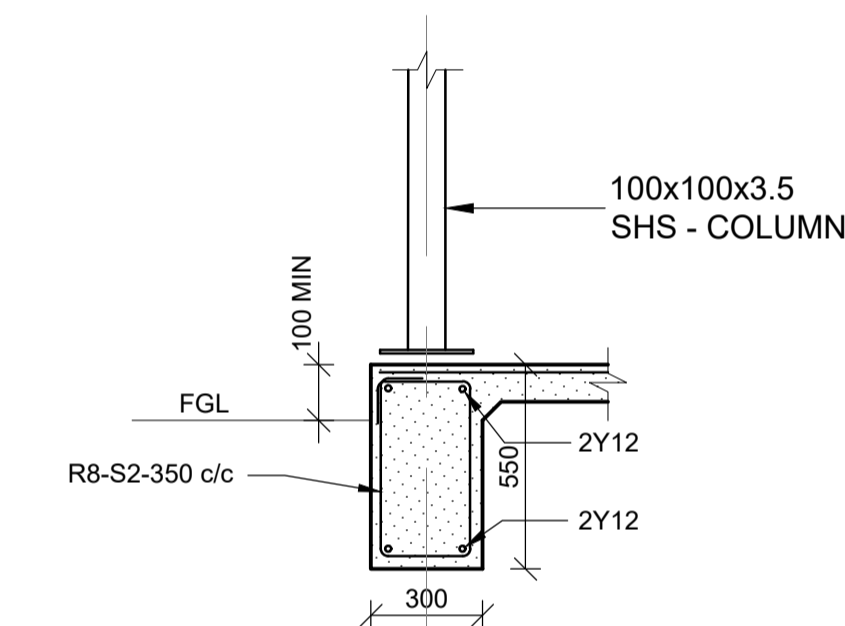
TYPICAL HOLDING DOWN BOLT DETAIL
 SCALE 1: 10



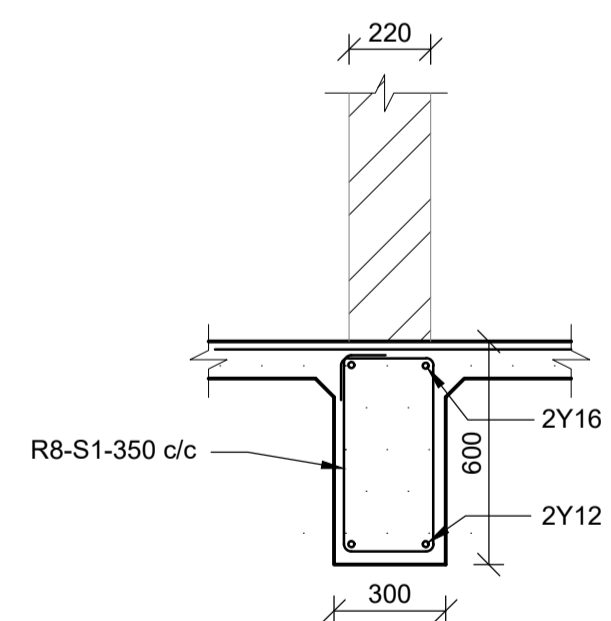
SECTION A
 SCALE 1:20



SECTION E
 SCALE 1:20



SECTION F
 SCALE 1:20



SECTION C
 SCALE 1:20

HOLDING DOWN BOLT SCHEDULE									
BOLT						ANCHOR PLATE		POCKET	
MARK	NO OFF	DIA	LENGTH	PROTRUSION	PROJECTION	SIZE	THICKNESS	DEPTH	DIA
-	-		LB	E	P	a x a	T	B	C
HD1	-	20	575	10	150	110x110	14	100	75

Notes:

REFERENCE DRAWINGS	
Dwg. No.	Description
-	-

Copyright vests in the Department of Eastern Cape Department of Education

AS-BUILT DRAWINGS

certified as-built drawings as per Centralised Drawing Archive AS-BUILT DRAWING REQUIREMENTS

Name: _____
 Date: _____
 Professional Registration No.: _____

No.	DATE	AMENDMENT	Rev By
T	08-08-2023	ISSUED FOR TENDER	A.V

Cad File Name
 Blocks 2023-06-28.dwg

Checked By Consultant
 E.M. CHIRWA 20020003
 Name Professional Registration No.
 Signature 06-02-2023
 Date
 Consultant

MOLEMO
 CONSULTING ENGINEERS

BLOCK E
 73 VILLIERS DRIVE
 CLARENDON
 PIETERMARITZBURG, 4700.
 CELL: 082 714 4400
 Email: admin@molemo.co.za

P.O. BOX 995
 PIETERMARITZBURG
 3200
 TEL: 033 342 7963
 TEL: 033 345 2288

Discipline **CIVIL AND STRUCTURAL**

idt
 Independent Development Trust

BROADCAST HOUSE, SISSON STREET
 FORT GALE
 PRIVATE BAG 15275
 UMTATA, 5100.

Project
 DEPARTMENT OF EDUCATION
 EASTERN CAPE PROVINCE
 CONSTRUCTION OF
 MALUTI SPECIAL SCHOOL
 PHASE 2

Drawing Description
 MALUTI SPECIAL SCHOOL
 PHASE 2
 WORKSHOP
 FOUNDATION LAYOUT

Drawn: A.V Date: 06-02-2023
 Scale: AS SHOWN Sheet Size: A1
 Consultant Drawing Number: IDT-EC-PH2-MOL-S513 Revision: T
 DOW Drawing Number: IDT-EC-PH2-MOL-S513 Revision: T
 Stamped by Plans Approval Committee