

MEMBER LEGEND

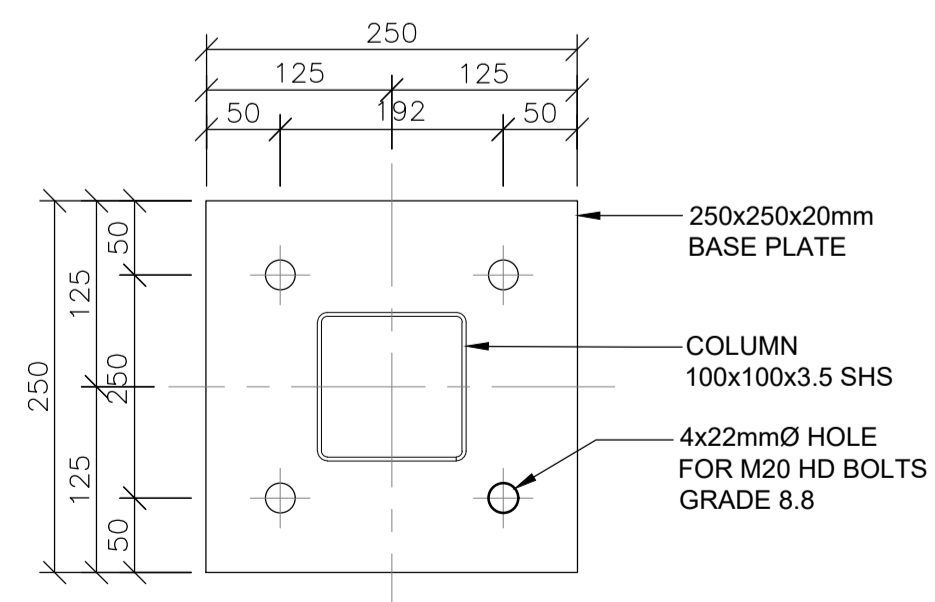
BM 1 = RC BEAM 300 x 600mm DEEP
 BM 2 = RC BEAM 300 x 550mm DEEP
 BM 3 = RC BEAM 300 x 600mm DEEP

SIGN LANGUAGE BLOCK - RAFT LAYOUT

SCALE 1: 50

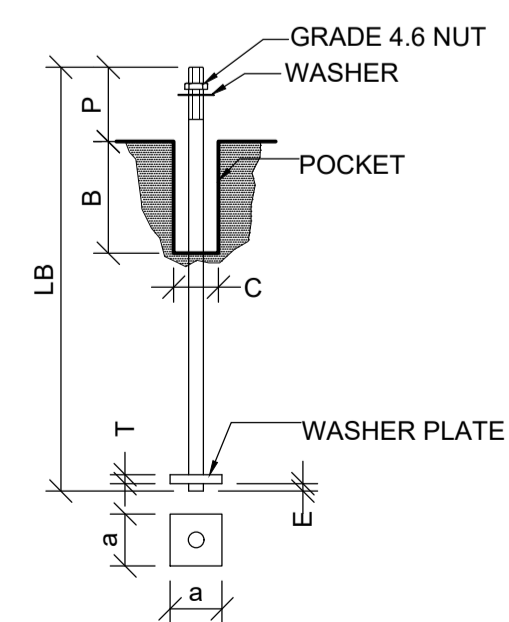
NOTE

REFER TO ARCHITECTURAL DRAWINGS FOR WALL POSITIONS



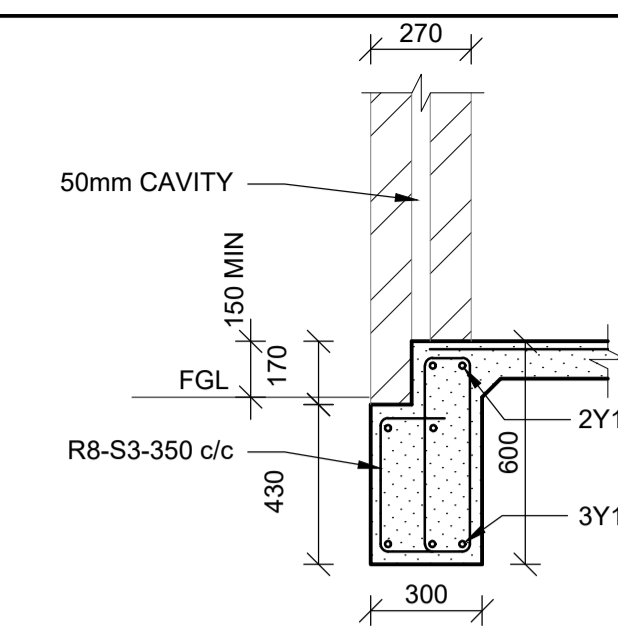
TYPICAL BASE PLATE DETAIL

SCALE 1:5



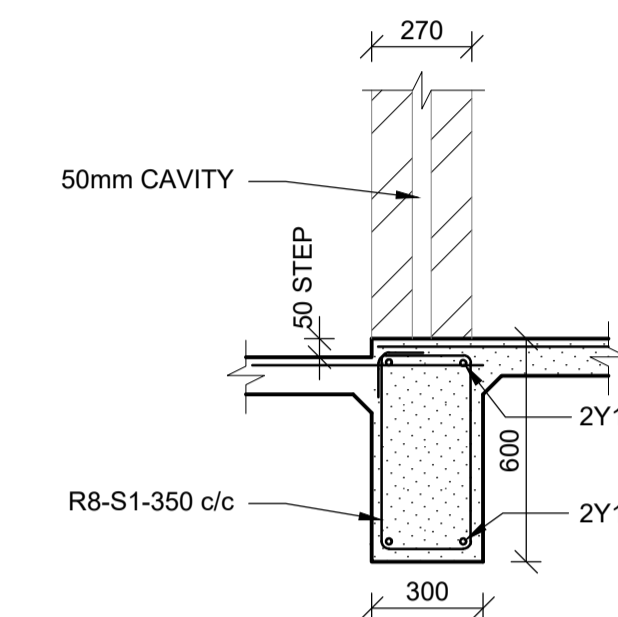
TYPICAL HOLDING DOWN BOLT DETAIL

SCALE 1: 10



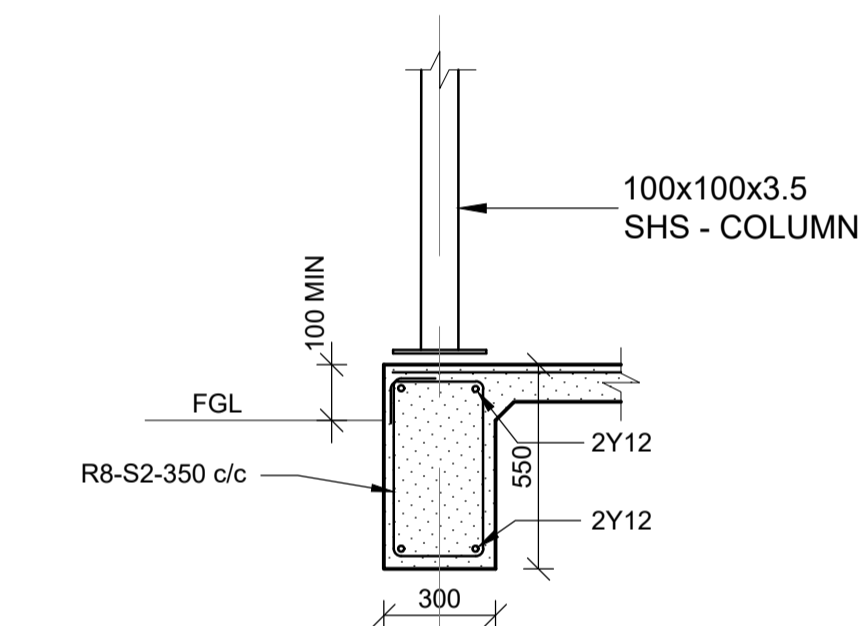
SECTION A

SCALE 1:20



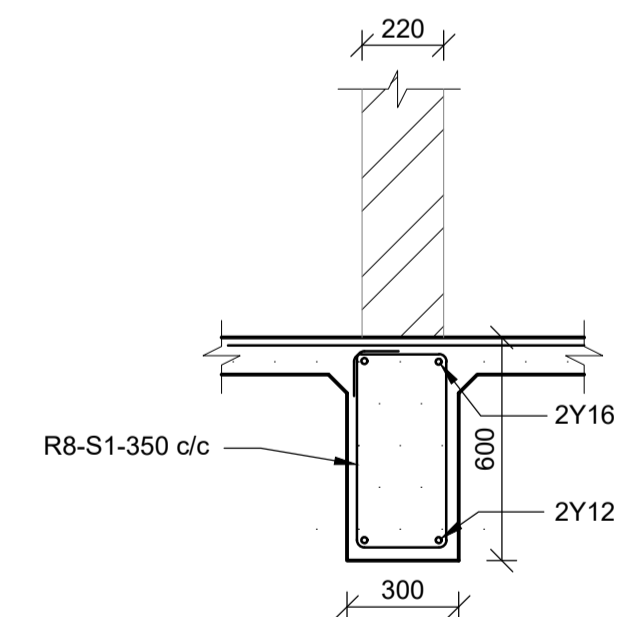
SECTION E

SCALE 1:20



SECTION F

SCALE 1:20



SECTION C

SCALE 1:20

HOLDING DOWN BOLT SCHEDULE									
BOLT						ANCHOR PLATE		POCKET	
MARK	NO OFF	DIA	LENGTH	PROTRUSION	PROJECTION	SIZE	THICKNESS	DEPTH	DIA
-	-		LB	E	P	a x a	T	B	C
HD1	-	20	575	10	150	110x110	14	100	75

Notes:

REFERENCE DRAWINGS

Dwg. No.	Description
-	-

Copyright vests in the Department of Eastern Cape Department of Education

AS-BUILT DRAWINGS
 certified as-built drawings as per Centralised Drawing Archive AS-BUILT DRAWING REQUIREMENTS

Name: _____

Date: _____

Professional Registration No.: _____

No.	DATE	AMENDMENT	Rev By
T	29-06-2023	ISSUED FOR TENDER	A.V

Cad File Name
 Blocks 2023-06-28.dwg

Checked By Consultant

E.M. CHIRWA 20020003
 Name Professional Registration No.

Signature 06-02-2023
 Date

Consultant

MOLEMO
 CONSULTING ENGINEERS

BLOCK E
 73 VILLIERS DRIVE
 CLARENDON
 PIETERMARITZBURG, 4700.
 CELL: 082 714 4400
 Email: admin@molemo.co.za

P.O. BOX 995
 PIETERMARITZBURG
 3200
 TEL: 033 342 7953
 TEL: 033 345 2288

Discipline **CIVIL AND STRUCTURAL**

idt
 independent development trust

BROADCAST HOUSE, SISSON STREET
 FORT GALE
 PRIVATE BAG 132275
 UMTATA, 5100.

Project
 DEPARTMENT OF EDUCATION
 EASTERN CAPE PROVINCE
 CONSTRUCTION OF
 MALUTI SPECIAL SCHOOL
 PHASE 2

Drawing Description
 MALUTI SPECIAL SCHOOL
 PHASE 2
 SIGN LANGUAGE
 FOUNDATION LAYOUT

Drawn: A.V Date: 06-02-2023

Scale AS SHOWN Sheet Size: A1

Consultant Drawing Number IDT-EC-PH2-MOL-S508 Revision T

DOW Drawing Number IDT-EC-PH2-MOL-S508 Revision T

Stamped by Plans Approval Committee