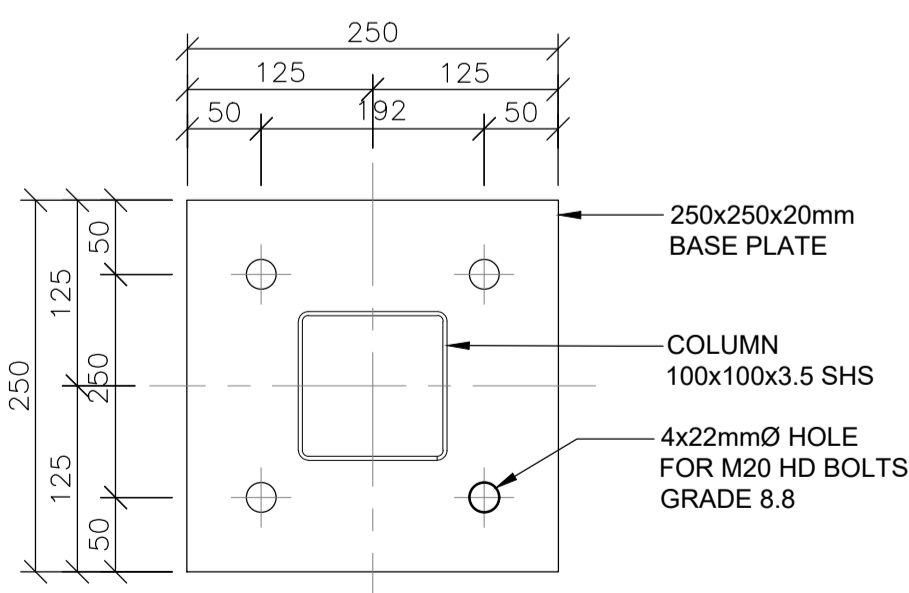


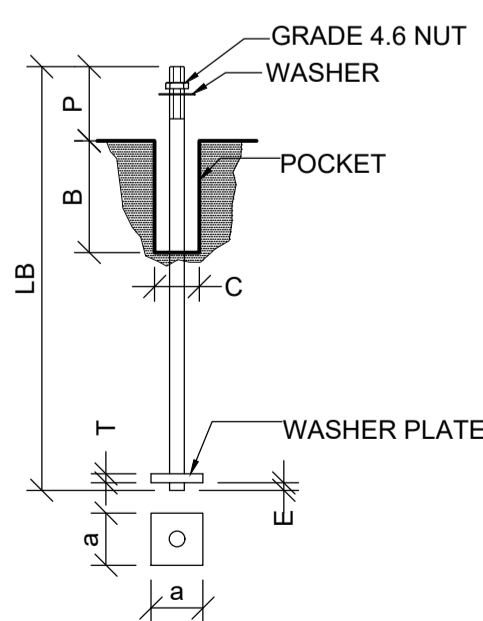
**MEMBER LEGEND**  
 BM 1 = RC BEAM 300 x 600mm DEEP  
 BM 2 = RC BEAM 300 x 550mm DEEP  
 BM 3 = RC BEAM 300 x 600mm DEEP

**RESOURCE CENTER BLOCK - RAFT LAYOUT**  
 SCALE 1: 50

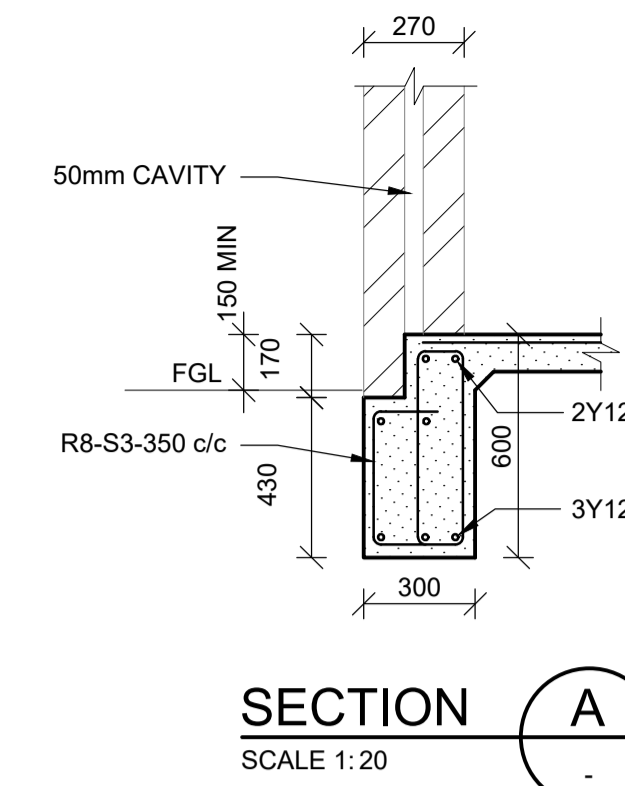
**NOTE**  
 REFER TO ARCHITECTURAL DRAWINGS FOR WALL POSITIONS



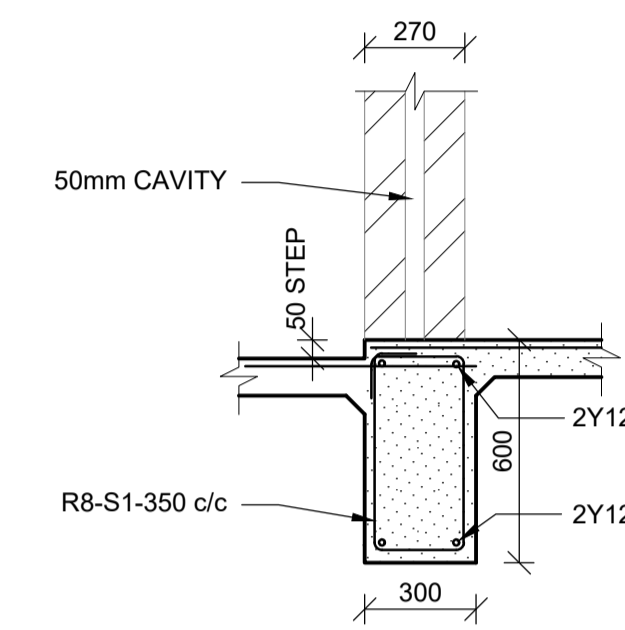
**TYPICAL BASE PLATE DETAIL**  
 SCALE 1: 5



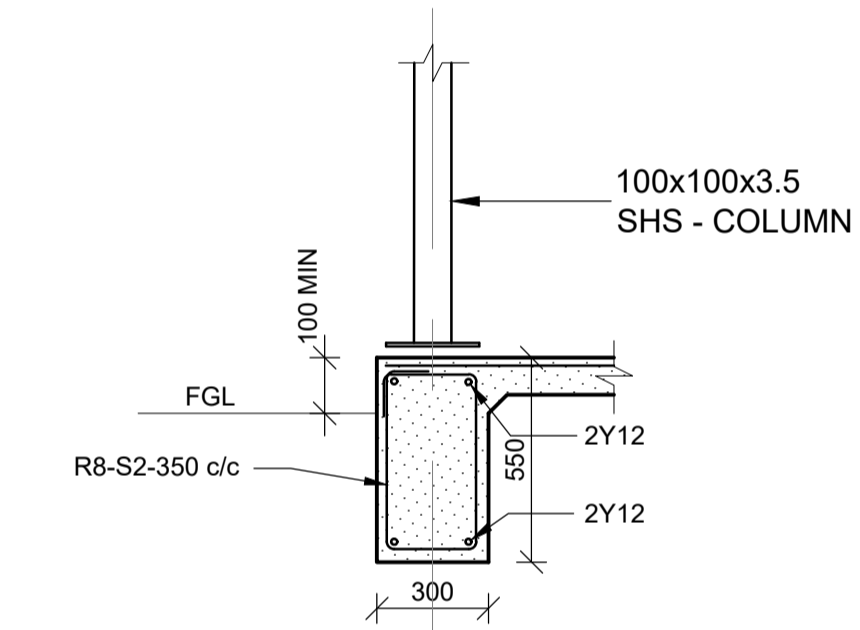
**TYPICAL HOLDING DOWN BOLT DETAIL**  
 SCALE 1: 10



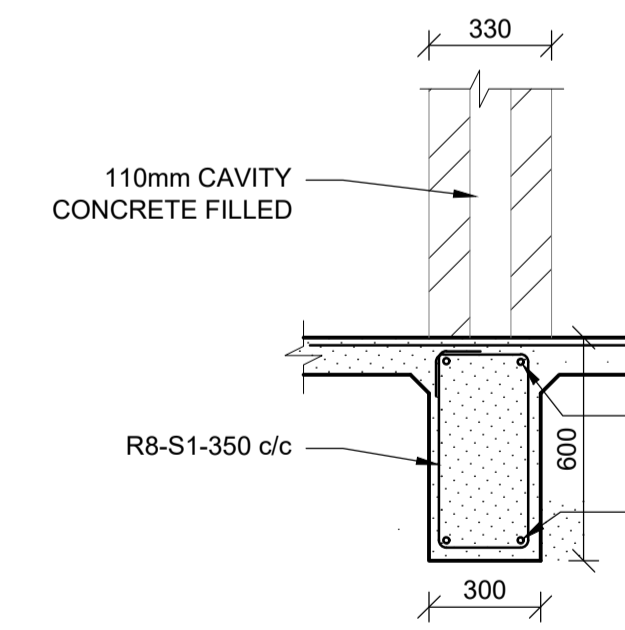
**SECTION A**  
 SCALE 1: 20



**SECTION E**  
 SCALE 1: 20



**SECTION F**  
 SCALE 1: 20



**SECTION D**  
 SCALE 1: 20

HOLDING DOWN BOLT SCHEDULE									
BOLT						ANCHOR PLATE		POCKET	
MARK	NO OFF	DIA	LENGTH	PROTRUSION	PROJECTION	SIZE	THICKNESS	DEPTH	DIA
-	-		LB	E	P	a x a	T	B	C
HD1	-	20	575	10	150	110x110	14	100	75

**Notes:**

REFERENCE DRAWINGS	
Dwg. No.	Description
-	-

Copyright vests in the Department of Eastern Cape Department of Education

AS-BUILT DRAWINGS  
 certified as-built drawings as per Centralised Drawing Archive AS-BUILT DRAWING REQUIREMENTS

Name: \_\_\_\_\_  
 Date: \_\_\_\_\_  
 Professional Registration No.: \_\_\_\_\_

No.	DATE	AMENDMENT	Rev By
T	29-06-2023	ISSUED FOR TENDER	A.V

Cad File Name  
 Blocks 2023-06-28.dwg

Checked By Consultant  
 E.M. CHIRWA 20020003  
 Name Professional Registration No.  
 Signature 06-02-2023  
 Date  
 Consultant

**MOLEMO**  
 CONSULTING ENGINEERS

BLOCK E  
 73 VILLIERS DRIVE  
 CLARENDON  
 PIETERMARITZBURG, 4700.  
 CELL: 082 714 4400  
 Email: admin@molemo.co.za

P.O. BOX 995  
 PIETERMARITZBURG  
 3200  
 TEL: 033 342 7963  
 TEL: 033 345 2288

Discipline **CIVIL AND STRUCTURAL**

**idT**  
 Independent development trust

BROADCAST HOUSE, SISSON STREET  
 FORT GALE  
 PRIVATE BAG 16275  
 UMTATA, 5100.

Project  
**DEPARTMENT OF EDUCATION  
 EASTERN CAPE PROVINCE  
 CONSTRUCTION OF  
 MALUTI SPECIAL SCHOOL  
 PHASE 2**

Drawing Description  
**MALUTI SPECIAL SCHOOL  
 PHASE 2  
 RESOURCE CENTER  
 FOUNDATION LAYOUT**

Drawn: A.V Date: 06-02-2023  
 Scale: AS SHOWN Sheet Size: A1  
 Consultant Drawing Number: IDT-EC-PH2-MOL-S507 Revision: T  
 DOW Drawing Number: IDT-EC-PH2-MOL-S507 Revision: T  
 Stamped by Plans Approval Committee