

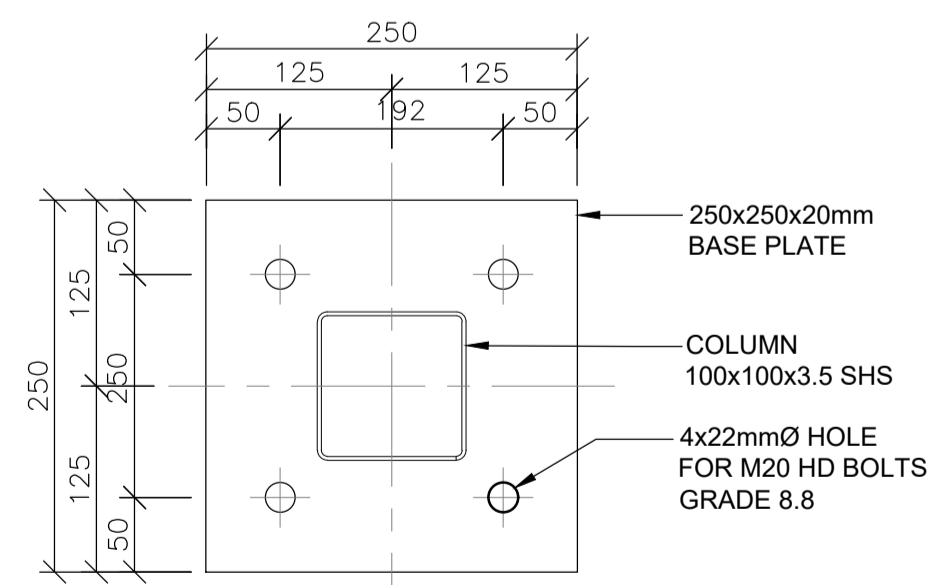
MEMBER LEGEND

- BM 1 = RC BEAM 300 x 600mm DEEP
- BM 2 = RC BEAM 300 x 550mm DEEP
- BM 3 = RC BEAM 300 x 600mm DEEP

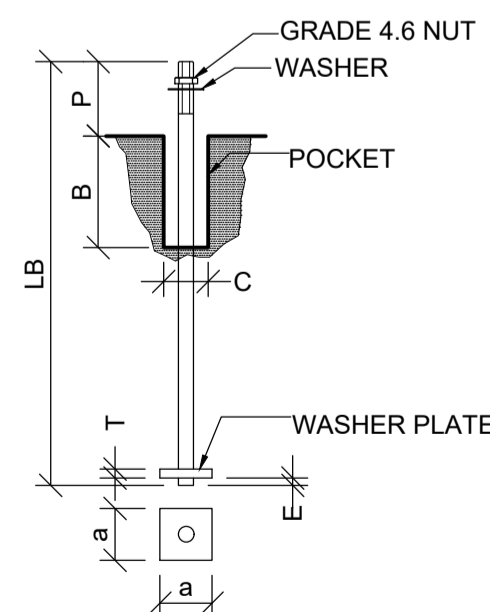
JUNIOR LIBRARY & SPEECH THERAPY - RAFT LAYOUT
SCALE 1: 50

NOTE

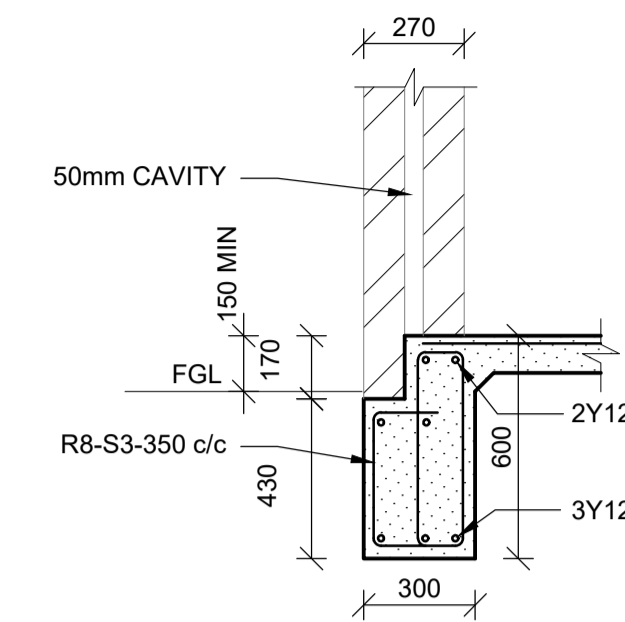
REFER TO ARCHITECTURAL DRAWINGS FOR WALL POSITIONS



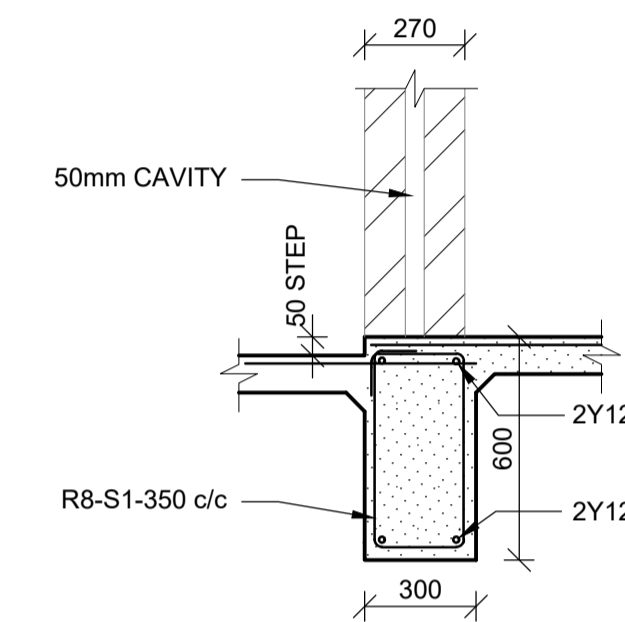
TYPICAL BASE PLATE DETAIL
SCALE 1:5



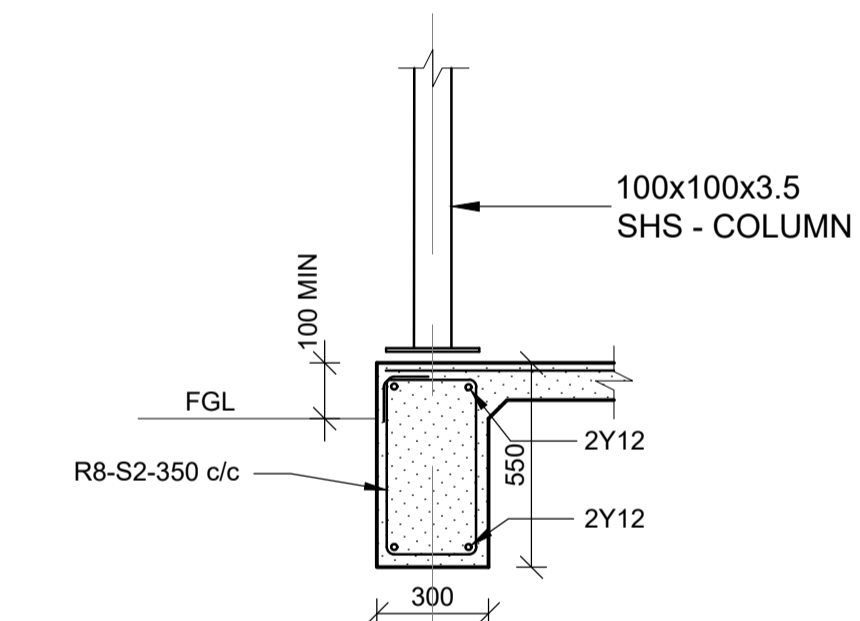
TYPICAL HOLDING DOWN BOLT DETAIL
SCALE 1: 10



SECTION A
SCALE 1:20



SECTION E
SCALE 1:20



SECTION F
SCALE 1:20

HOLDING DOWN BOLT SCHEDULE									
BOLT						ANCHOR PLATE		POCKET	
MARK	NO OFF	DIA	LENGTH	PROTRUSION	PROJECTION	SIZE	THICKNESS	DEPTH	DIA
-	-		LB	E	P	a x a	T	B	C
HD1	-	20	575	10	150	110x110	14	100	75

Notes:

REFERENCE DRAWINGS	
Dwg. No.	Description
-	-

Copyright vests in the Department of Eastern Cape Department of Education

AS-BUILT DRAWINGS

certified as-built drawings as per Centralised Drawing Archive AS-BUILT DRAWING REQUIREMENTS

Name: _____
Date: _____
Professional Registration No.: _____

No.	DATE	AMENDMENT	Rev By
T	29-06-2023	ISSUED FOR TENDER	A.V

Cad File Name
Blocks 2023-06-28.dwg

Checked By Consultant

E.M. CHIRWA 20020003
Name Professional Registration No.

Signature 06-02-2023
Date

Consultant

MOLEMO
CONSULTING ENGINEERS

BLOCK E
73 VILLIERS DRIVE
CLARENDON
PIETERMARITZBURG, 4700.
CELL: 082 714 4400
Email: admin@molemo.co.za

P.O. BOX 995
PIETERMARITZBURG
3200
TEL: 033 342 7963
TEL: 033 345 2288

Discipline
CIVIL AND STRUCTURAL

idT
Independent Development Trust

BROADCAST HOUSE, SISSON STREET
FORT GALE
PRIVATE BAG 16275
UMTATA, 5100.

Project
**DEPARTMENT OF EDUCATION
EASTERN CAPE PROVINCE
CONSTRUCTION OF
MALUTI SPECIAL SCHOOL
PHASE 2**

Drawing Description
**MALUTI SPECIAL SCHOOL
PHASE 2
LIBRARY & SPEECH THERAPY
FOUNDATION LAYOUT**

Drawn: A.V Date: 06-02-2023

Scale: AS SHOWN Sheet Size: A1

Consultant Drawing Number	Revision
IDT-EC-PH2-MOL-S504	T

DOW Drawing Number	Revision
IDT-EC-PH2-MOL-S504	T

Stamped by Plans Approval Committee