

MEMBER LEGEND

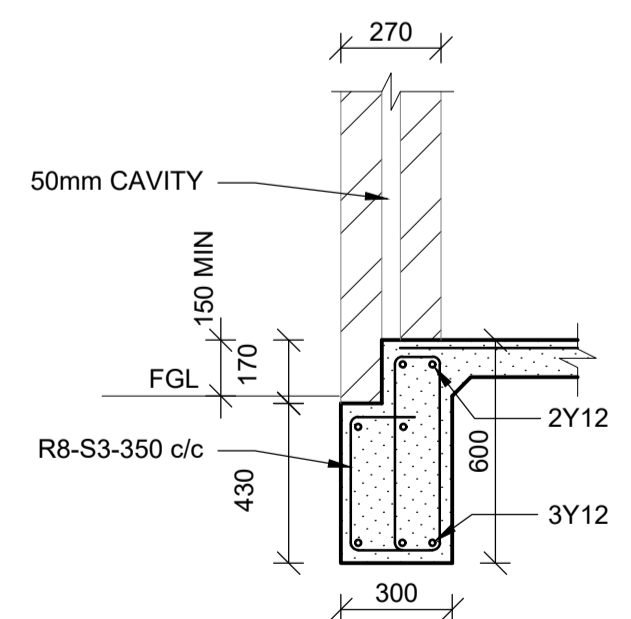
- BM 1 = RC BEAM 300 x 600mm DEEP
- BM 2 = RC BEAM 300 x 550mm DEEP
- BM 3 = RC BEAM 300 x 600mm DEEP

ADMINISTRATION BLOCK - RAFT FOUNDATION LAYOUT

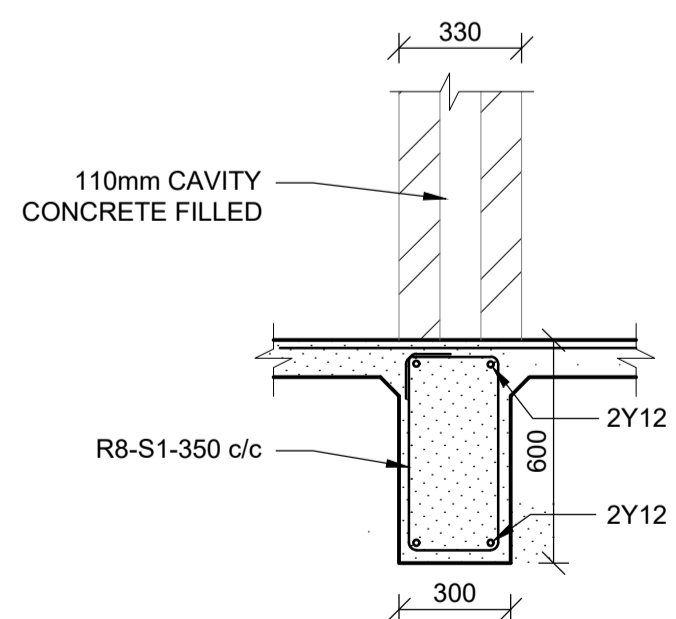
SCALE 1: 50

NOTE

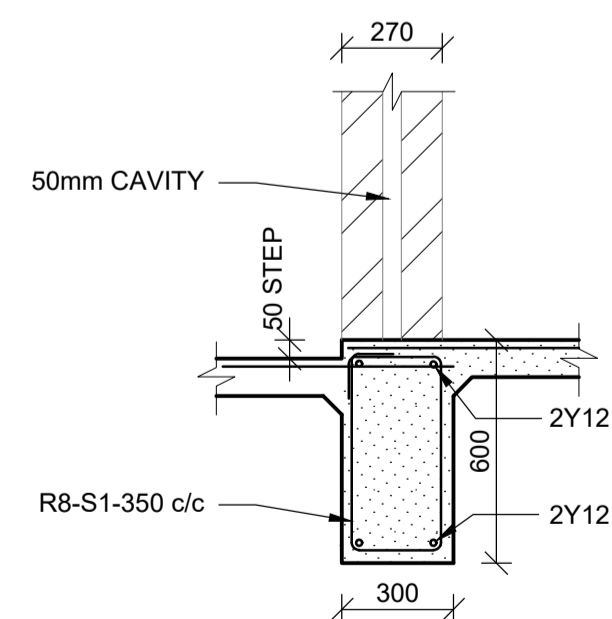
REFER TO ARCHITECTURAL DRAWINGS FOR WALL POSITIONS



SECTION A
SCALE 1:20



SECTION D
SCALE 1:20



SECTION E
SCALE 1:20

Notes:

REFERENCE DRAWINGS	
Dwg. No.	Description
-	-

Copyright vests in the Department of Eastern Cape Department of Education

AS-BUILT DRAWINGS

certified as-built drawings as per Centralised Drawing Archive AS-BUILT DRAWING REQUIREMENTS

Name: _____

Date: _____

Professional Registration No.: _____

No.	DATE	AMENDMENT	Rev By
T	29-06-2023	ISSUED FOR TENDER	A.V

Cad File Name
Blocks 2023-06-28.dwg

Checked By Consultant

E.M. CHIRWA 20020003
Name Professional Registration No.

Signature 06-02-2023
Date

Consultant

MOLEMO
CONSULTING ENGINEERS

BLOCK E
73 VILLIERS DRIVE
CLARENDON
PIETERMARITZBURG, 4700.
CELL: 082 714 4400
Email: admin@molemo.co.za

P.O. BOX 995
PIETERMARITZBURG
3200
TEL: 033 342 7953
TEL: 033 345 2288

Discipline **CIVIL AND STRUCTURAL**

Project
**DEPARTMENT OF EDUCATION
EASTERN CAPE PROVINCE
CONSTRUCTION OF
MALUTI SPECIAL SCHOOL
PHASE 2**

Drawing Description
**MALUTI SPECIAL SCHOOL
PHASE 2
ADMINISTRATION
FOUNDATION LAYOUT**

Drawn: A.V	Date: 06-02-2023
Scale: AS SHOWN	Sheet Size: A1
Consultant Drawing Number IDT-EC-PH2-MOL-S501	Revision T
DOW Drawing Number IDT-EC-PH2-MOL-S501	Revision T

Stamped by Plans Approval Committee