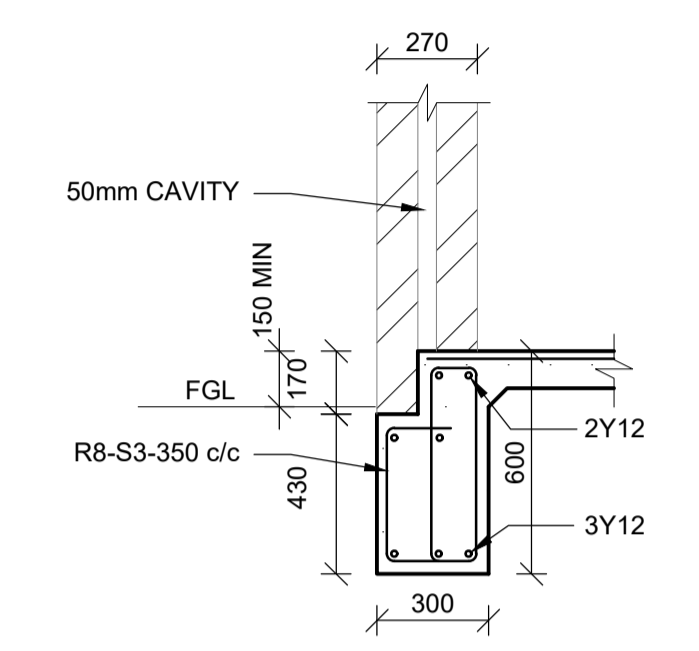


MEMBER LEGEND

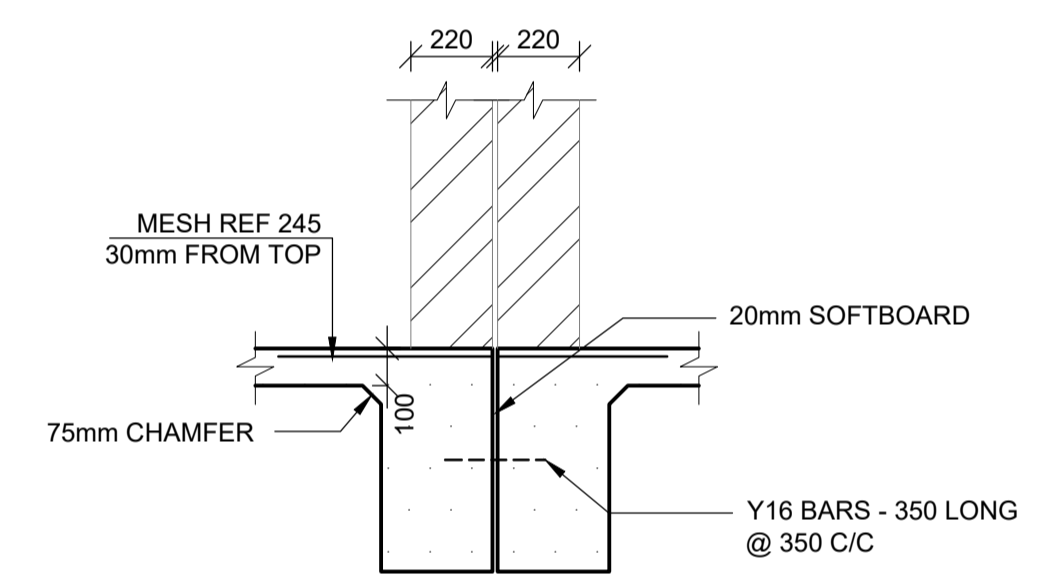
BM 1 = RC BEAM 300 x 600mm DEEP
 BM 3 = RC BEAM 300 x 600mm DEEP
 B1 = RC BASE 1200 x 1200 x 350mm DEEP

DORMITORY - RAFT FOUNDATION LAYOUT
 SCALE 1:100

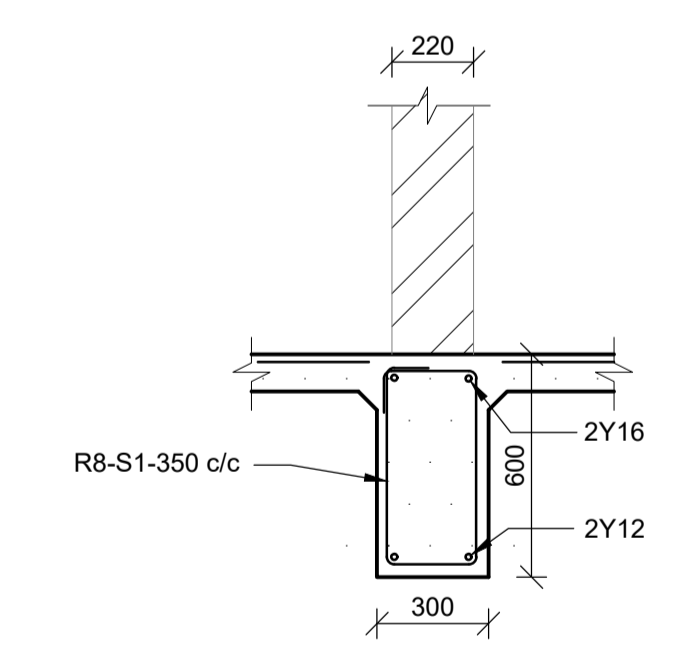
NOTE
 REFER TO ARCHITECTURAL DRAWINGS
 FOR WALL POSITIONS



SECTION A
 SCALE 1:20



SECTION B
 SCALE 1:20



SECTION C
 SCALE 1:20

Notes:

REFERENCE DRAWINGS	
Dwg. No.	Description
-	-

Copyright vests in the
 Department of Eastern Cape Department of Education

AS-BUILT DRAWINGS
 certified as-built drawings as per Centralised Drawing
 Archive AS-BUILT DRAWING REQUIREMENTS

Name: _____
 Date: _____
 Professional Registration No.: _____

No.	DATE	AMENDMENT	Rev By
1	29-06-2023	ISSUED FOR TENDER	A.V

Cad File Name
 Dormitory 2023-06-06.dwg

Checked By Consultant
 E.M. CHIRWA 20020003
 Name Professional Registration No.
 Signature 06-02-2023
 Date
 Consultant

MOLEMO
 CONSULTING ENGINEERS

BLOCK E
 73 VILLIERS DRIVE
 CLARENDON
 PIETERMARITZBURG, 4700.
 CELL: 082 714 4400
 Email: admin@molemo.co.za

P.O. BOX 995
 PIETERMARITZBURG
 3200
 TEL: 033 342 7963
 TEL: 033 345 2288

Discipline **CIVIL AND STRUCTURAL**

idt
 Independent development trust

BROADCAST HOUSE, SISSON STREET
 FORT GALE
 PRIVATE BAG 16275
 UMTATA, 5100.

Project
**DEPARTMENT OF EDUCATION
 EASTERN CAPE PROVINCE
 CONSTRUCTION OF
 MALUTI SPECIAL SCHOOL
 PHASE 2**

Drawing Description
**MALUTI SPECIAL SCHOOL
 PHASE 2
 DORMITORY
 FOUNDATION LAYOUT**

Drawn: A.V	Date: 06-02-2023
Scale: AS SHOWN	Sheet Size: A1
Consultant Drawing Number IDT-EC-PH2-MOL-S500	Revision T
DOW Drawing Number IDT-EC-PH2-MOL-S500	Revision T

Stamped by Plans Approval Committee