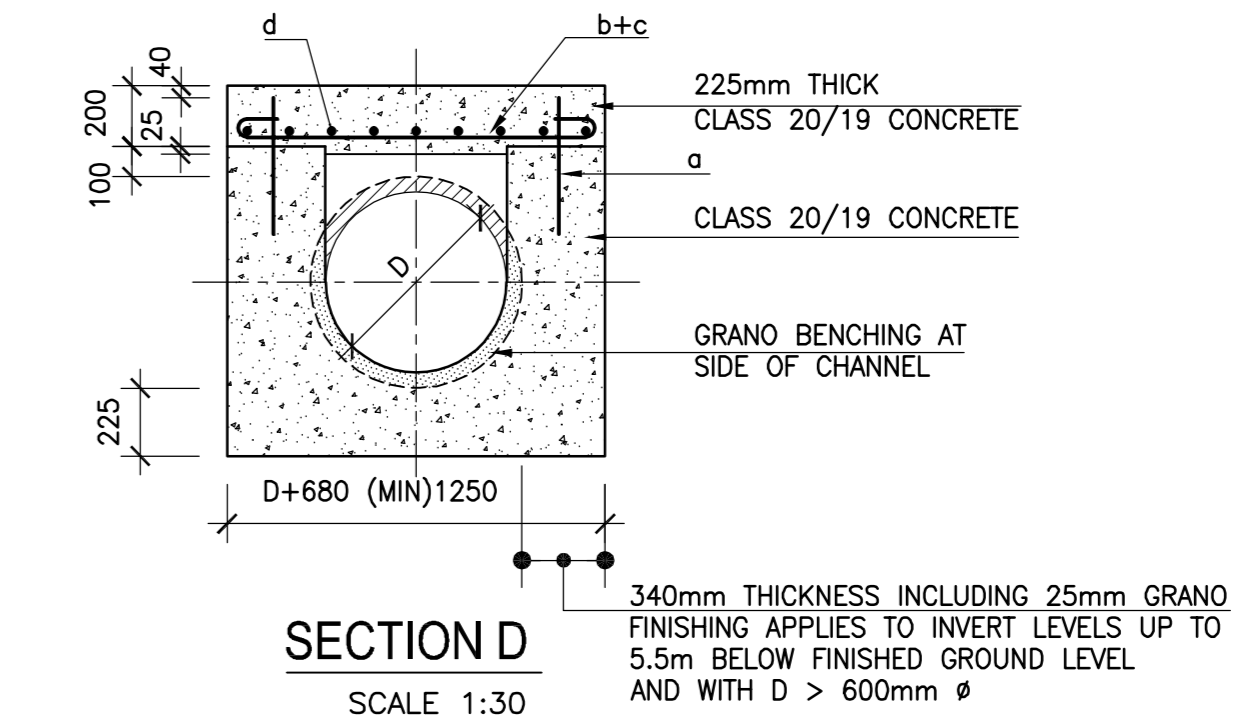
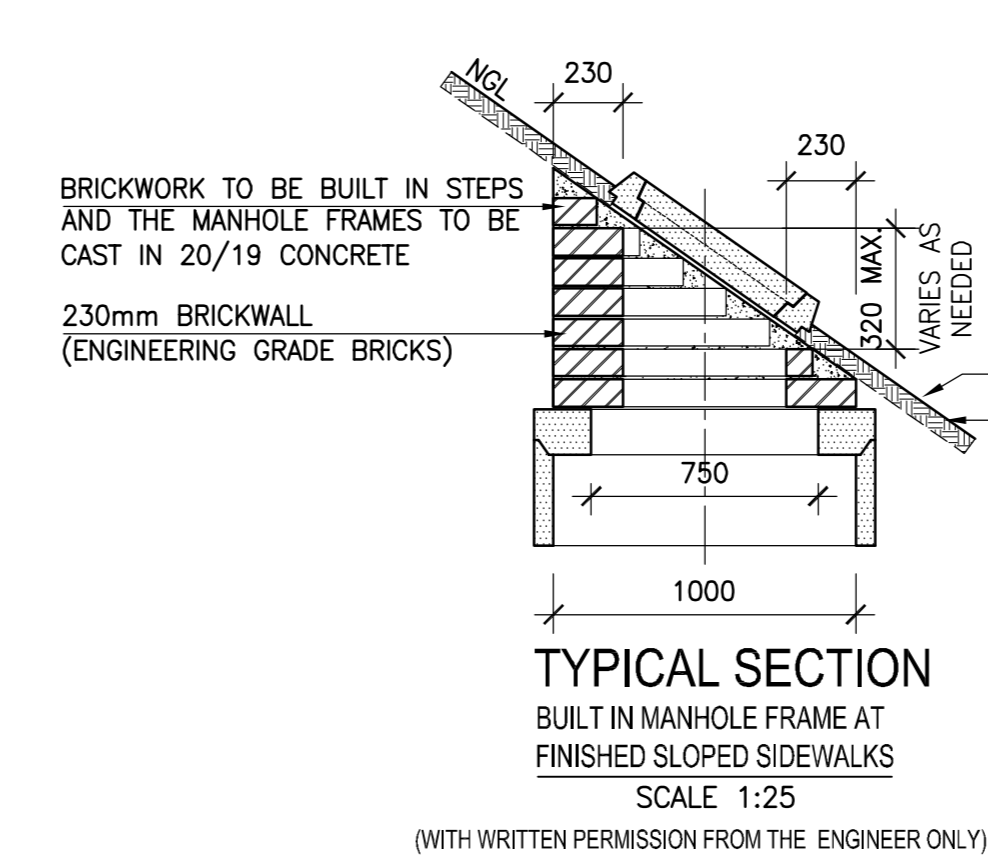
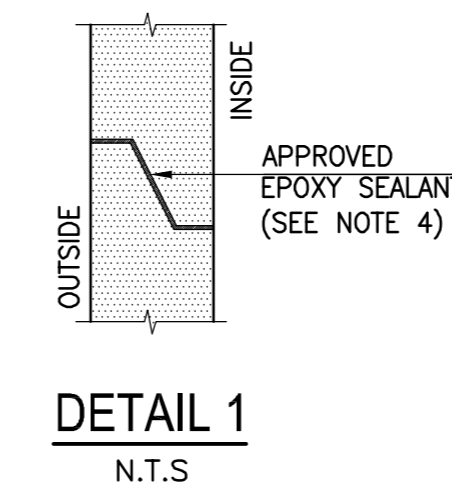
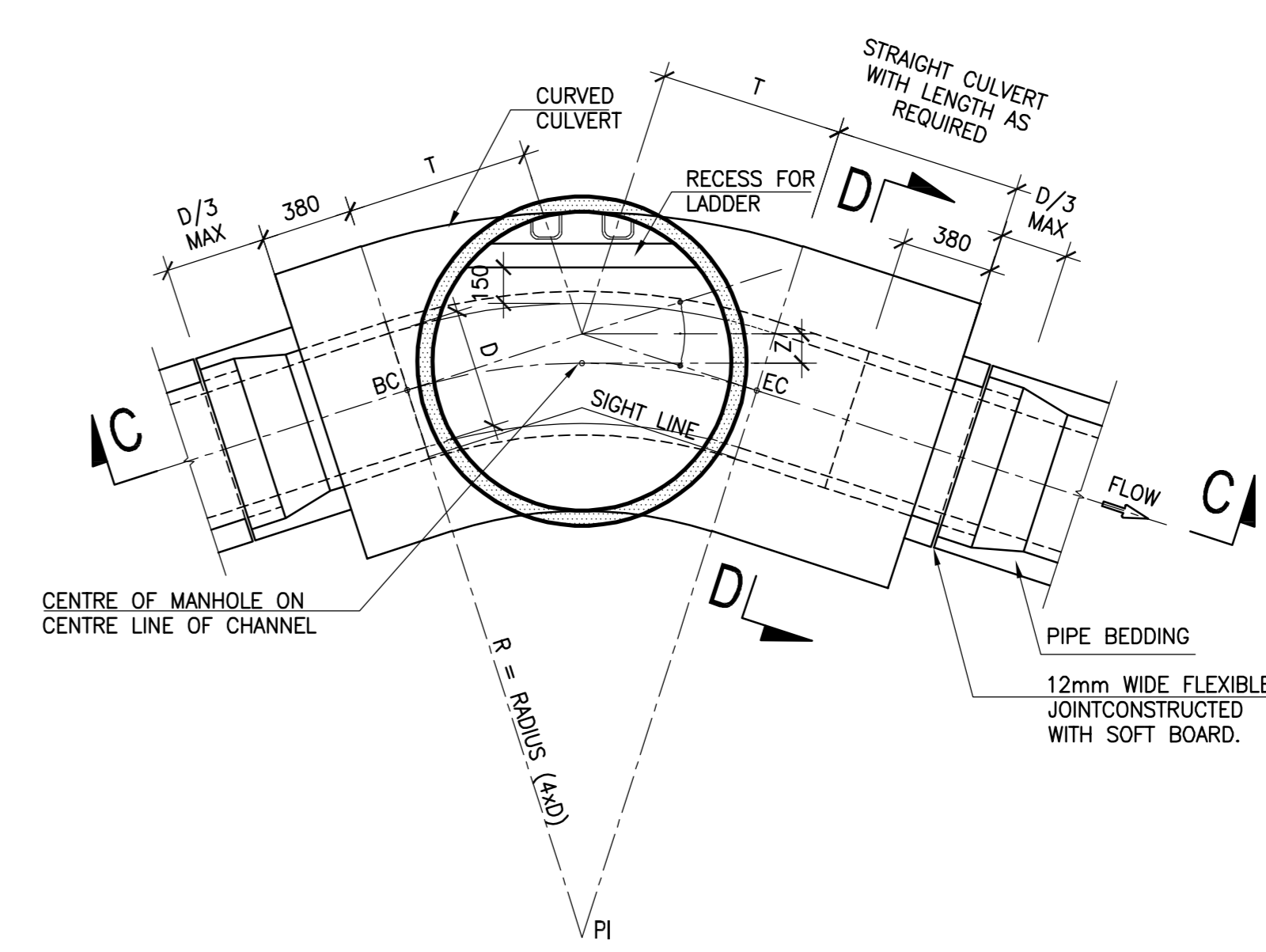
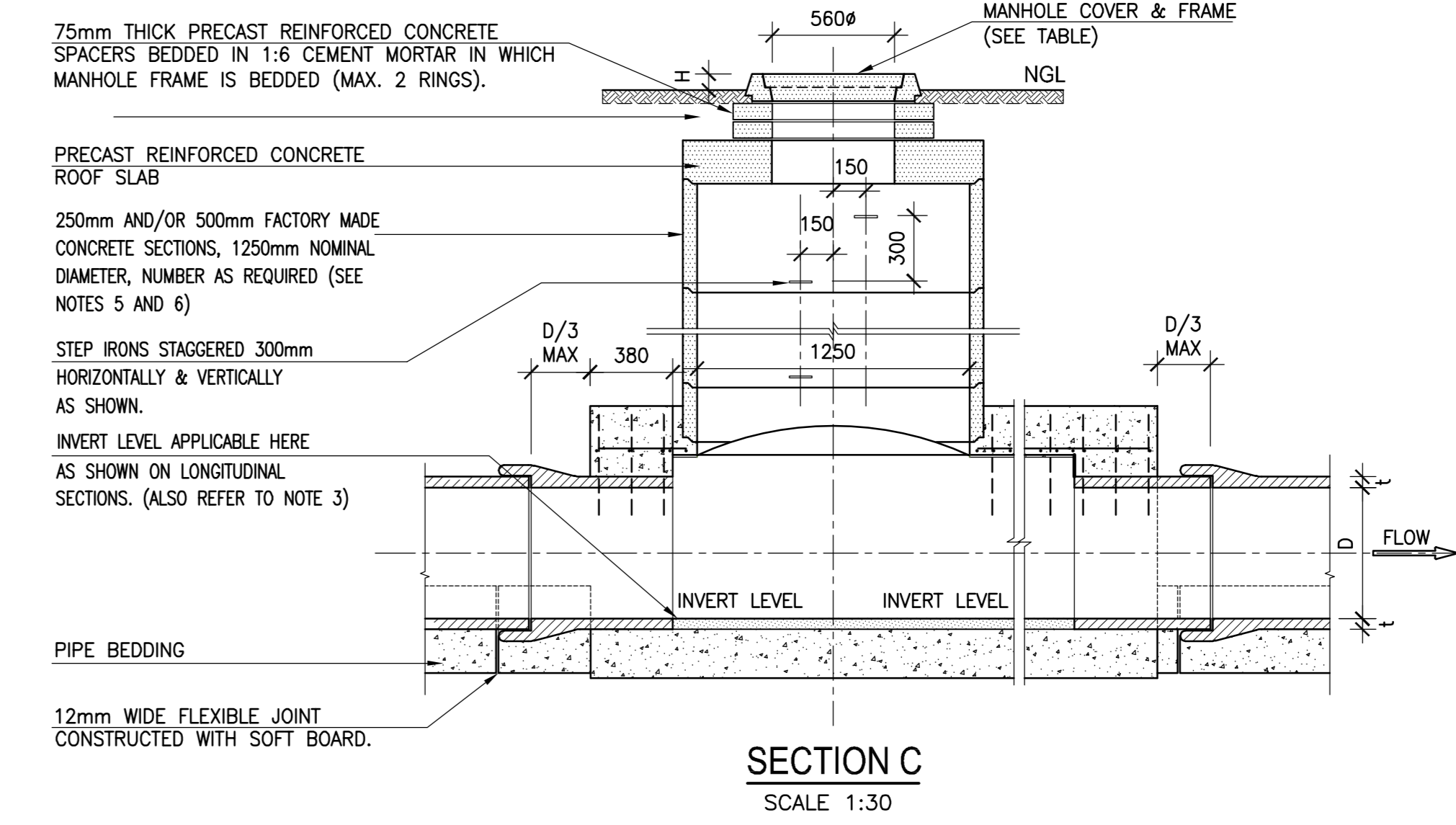


DESCRIPTION OF REINFORCING (SECTION C & D)
 a = 20mm Ø BARS x 450mm LONG @ 150mm c/c PLACED VERTICALLY.
 b = 12mm Ø BARS @ 150mm c/c BENT AS SHOWN IN SECTION D.
 c = 12mm Ø BARS @ 75mm c/c.
 d = 12mm Ø DISTRIBUTION BARS @ 150mm c/c.



POSITION OF MANHOLE	TYPE OF COVER
CARRIAGE WAY	TYPE 2A CAST IRON FRAME AND COVER
STREET RESERVE	TYPE 4 CAST IRON OR CONCRETE FRAME AND CONCRETE COVER
ERVEN	TYPE 4 CAST IRON OR CONCRETE FRAME AND CONCRETE COVER
GENERAL	ONLY TYPE 2A MANHOLE COVERS MAY BE USED FOR SEWERS 300mm Ø AND GREATER

NOTE: C COVERS ARE USED ONLY WITH WRITTEN INSTRUCTION FROM THE ENGINEER.

- NOTES:**
- CONCRETE FOR MANHOLES MUST BE OF DOLOMITIC ORIGIN.
 - TYPICAL VALUES FOR H
H = 50 - 75mm WITHIN ERVEN AND ROAD RESERVES
= 250mm LOW COST HOUSING AND UNDEFINED ROADWAYS
= 500mm OPEN VELD OR ROAD RESERVE WHERE POSITION OF MANHOLES CAN BE CONCEALED BY LONG GRASS OR OTHER GROWTH
 - CHANNELLING : NOMINAL DIAMETERS.
Ø ≤ 300mm CLAY OR DOLOMITIC CONCRETE OR NUTEC CEMENT.
Ø > 300mm INSITU CAST DOLOMITIC CONCRETE
 - CONCRETE MANHOLE SECTIONS MUST BE FIXED WITH AN EPOXY SEALER SUCH AS EPIDERMIX 344 OR PRO-STRUCT 687 OR SIMILAR APPROVED.
 - FACTORY MADE MANHOLE SECTIONS MUST BE IN ACCORDANCE WITH SANS 1294.
 - MANHOLE FRAMES MAY ONLY BE BUILT IN ON SLOPED FINISHED SIDEWALKS ON A WRITTEN INSTRUCTION BY THE ENGINEER.
 - OVER EXCAVATION MAY ONLY BE FILLED AFTER APPROVAL BY THE ENGINEER WITH GRADE 20/19 CONCRETE OR SUITABLE MATERIAL AS DIRECTED BY THE ENGINEER.
 - NO PART OF THE MANHOLE MAY BE FINISHED OFF WITH CEMENT-WASH OR MORTAR.

FOR TENDER
ORIGINAL IN RED
ORIGINAL
SIGNED: [Signature] DATE: 07/08/2023

Dep. No.	Description

Copyright vests in the Department of Eastern Cape Department of Education
 AS-BUILT DRAWINGS created as-built drawings as per Controlled Drawing Archive AS-BUILT DRAWING REQUIREMENTS
 Name: _____
 Date: _____
 Professional Registration No.: _____

No.	DATE	AMENDMENT	Rev By
1	07-08-2023	ISSUED FOR TENDER	EMC

Client File Name: C208-STORMWATER MANHOLE (ETHAL)dwg
 Checked By Consultant: _____
 E.M. CHIRWA 20020093
 Name: _____ Professional Registration No.: _____
 Date: 07-08-2023
 Signature: _____
 Consultant: _____

MOLEMO CONSULTING ENGINEERS
 P.O. BOX 965
 PETERMARITZBURG 3200
 TEL: 033 342 7953
 TEL: 033 345 2298
 Email: info@molemo.co.za
 Discipline: **CIVIL AND STRUCTURAL**

idt
 Infrastructure Development & Technical
 BROADBENT HOUSE, BRISBANE STREET
 FORT GALE
 PRIVATE BAG 33275
 UMTATA, 5100

Project: DEPARTMENT OF EDUCATION
 EASTERN CAPE PROVINCE
 CONSTRUCTION OF
 SIVE MALUTI SPECIAL SCHOOL
 PHASE 3 CEDARVILLE

Drawing Description: PHASE 3 CEDARVILLE
 STORMWATER MANHOLE DETAILS

Drawn: A. SWENDU	Date: 04-07-2023
Scale: AS SHOWN	Sheet Size: A0
Consultant Drawing Number: IDT-EC-SM-PH3-C208	Revision: T
DOW Drawing Number: IDT-EC-SM-PH3-C208	Revision: T

Stamped by Plans Approval Committee

IDT-EC-SM-PH3-C208 REV. T