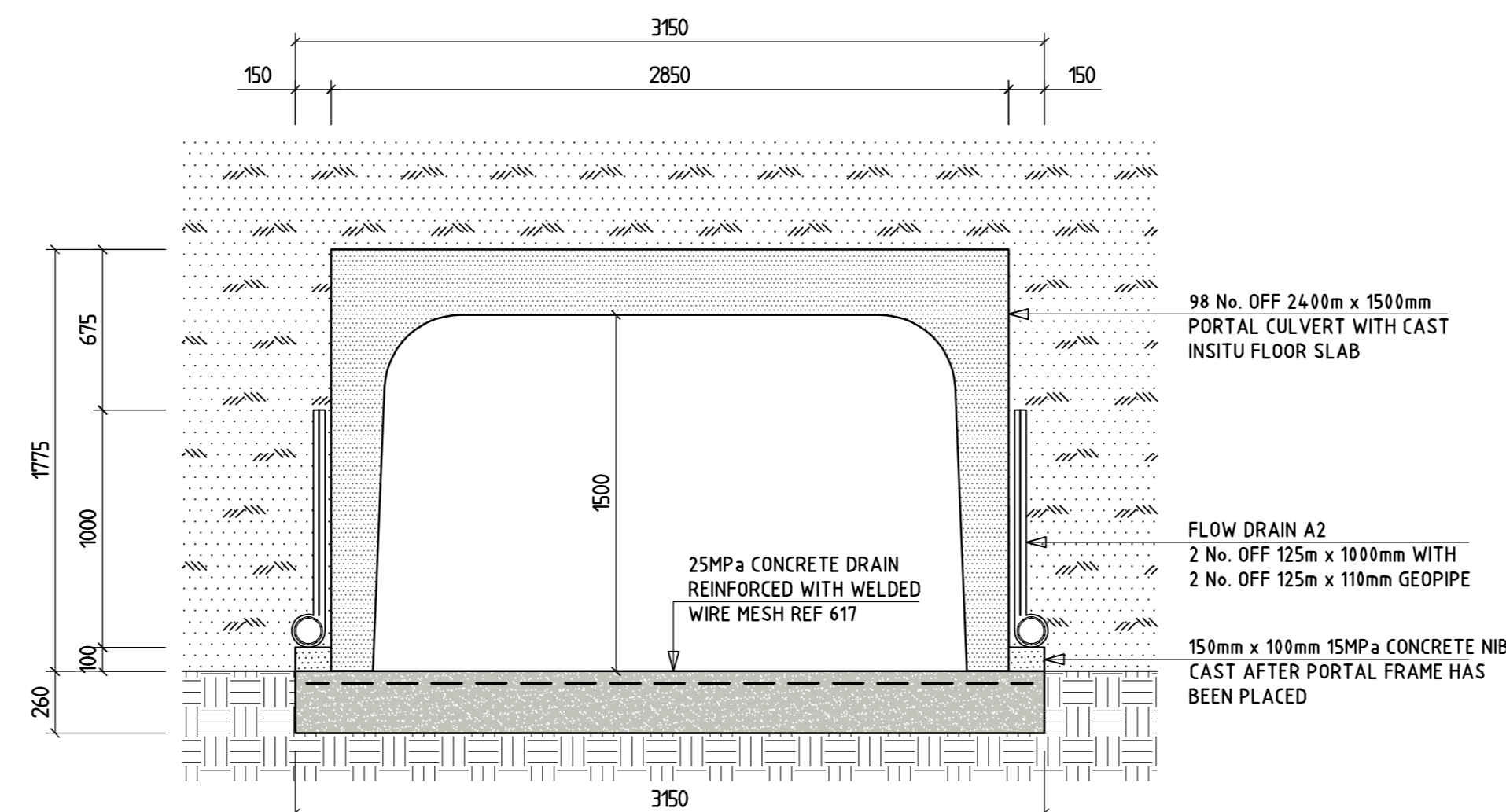
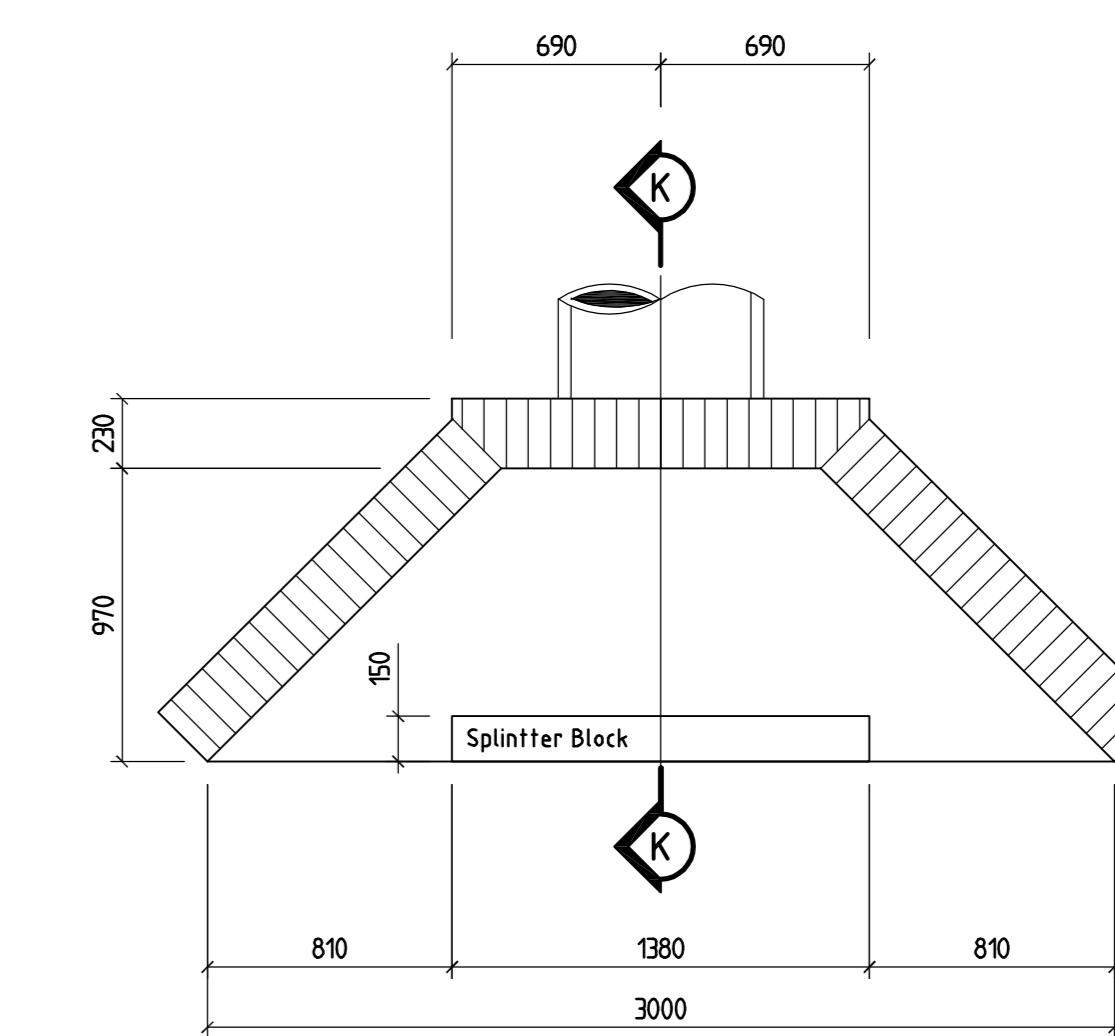


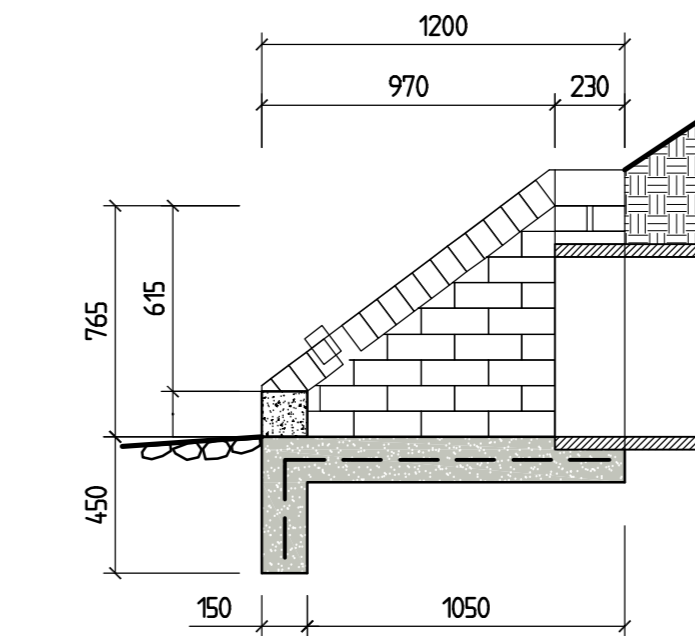
D204-01 : 2400 x 1500 PORTAL CULVERT HEADWALL : ELEVATION (TYPICAL)
SCALE 1:25



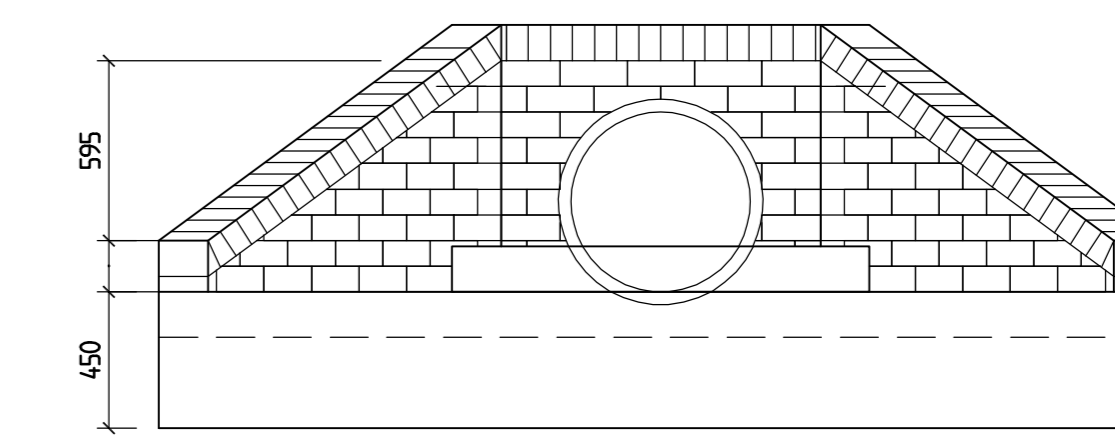
D204-02 : 2400 x 1500 PORTAL CULVERT : SECTION (98 No.OFF UNITS : LENGTH = 117.6m)
SCALE 1:25



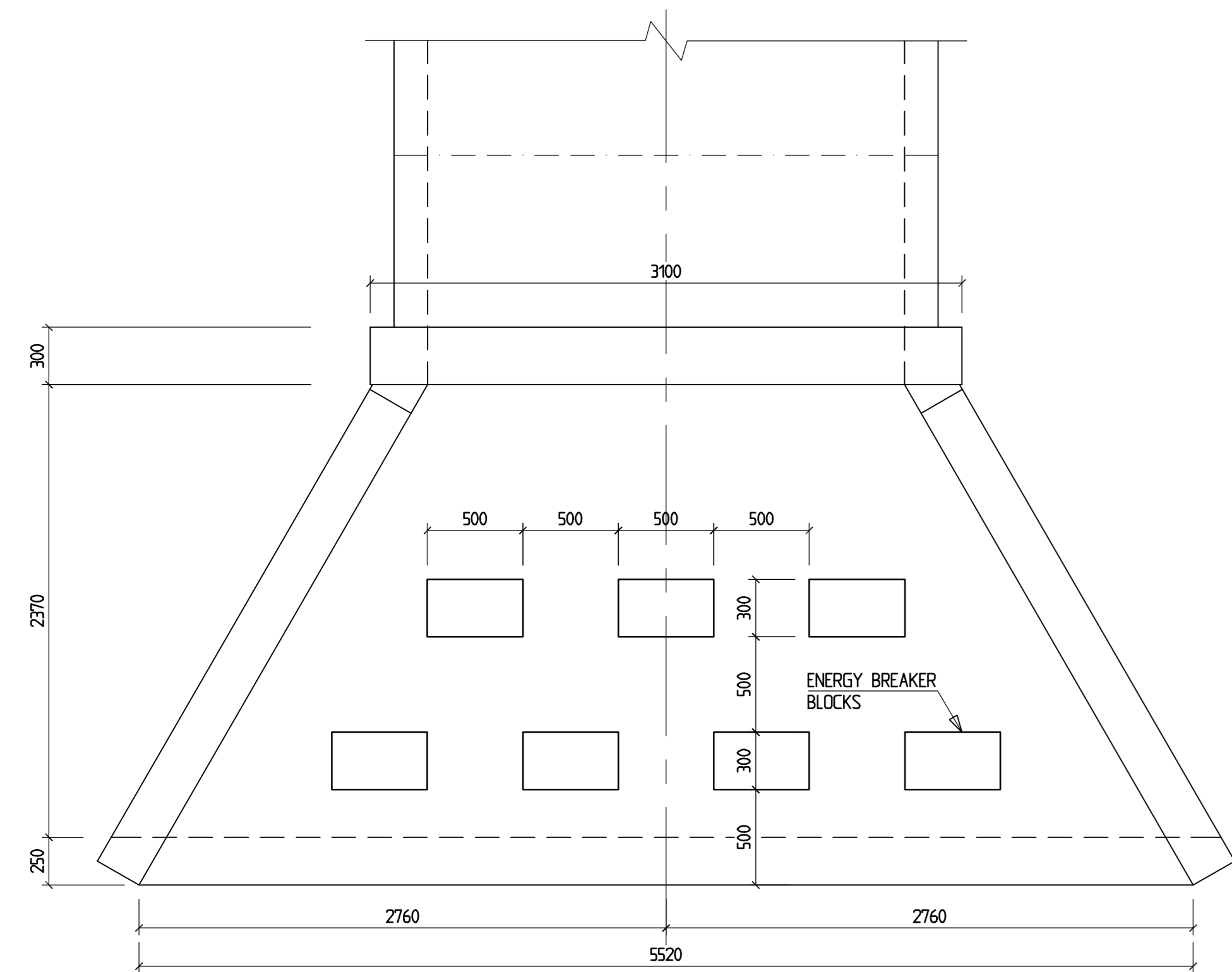
D204-07 : HEADWALL FOR 600mm Ø PIPE CULVERT PLAN
SCALE 1:25



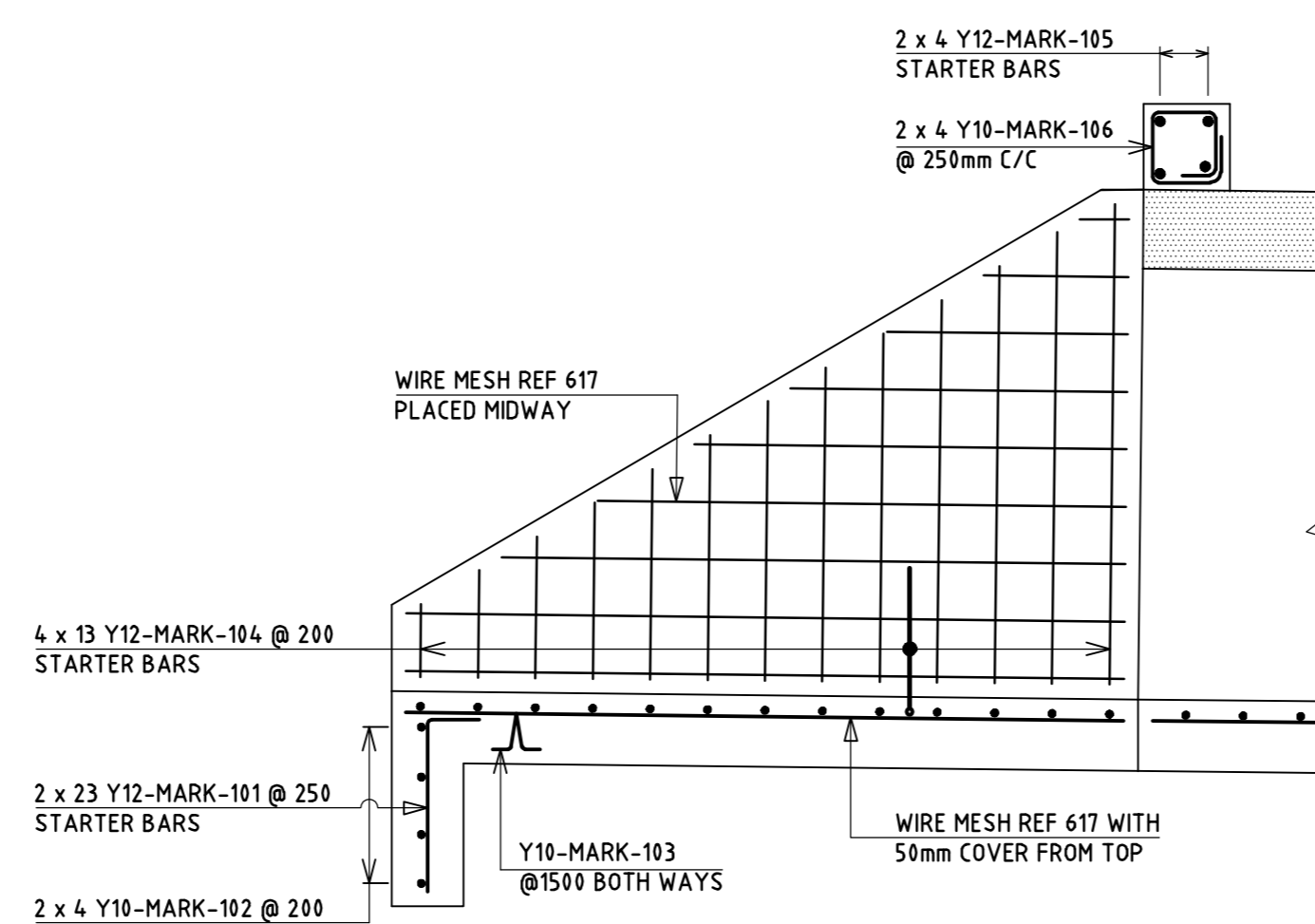
D04-08 : SECTION K-K
SCALE 1:25



D204-09 : HEADWALL FOR 600mm Ø PIPE CULVERT FRONT ELEVATION
SCALE 1:25

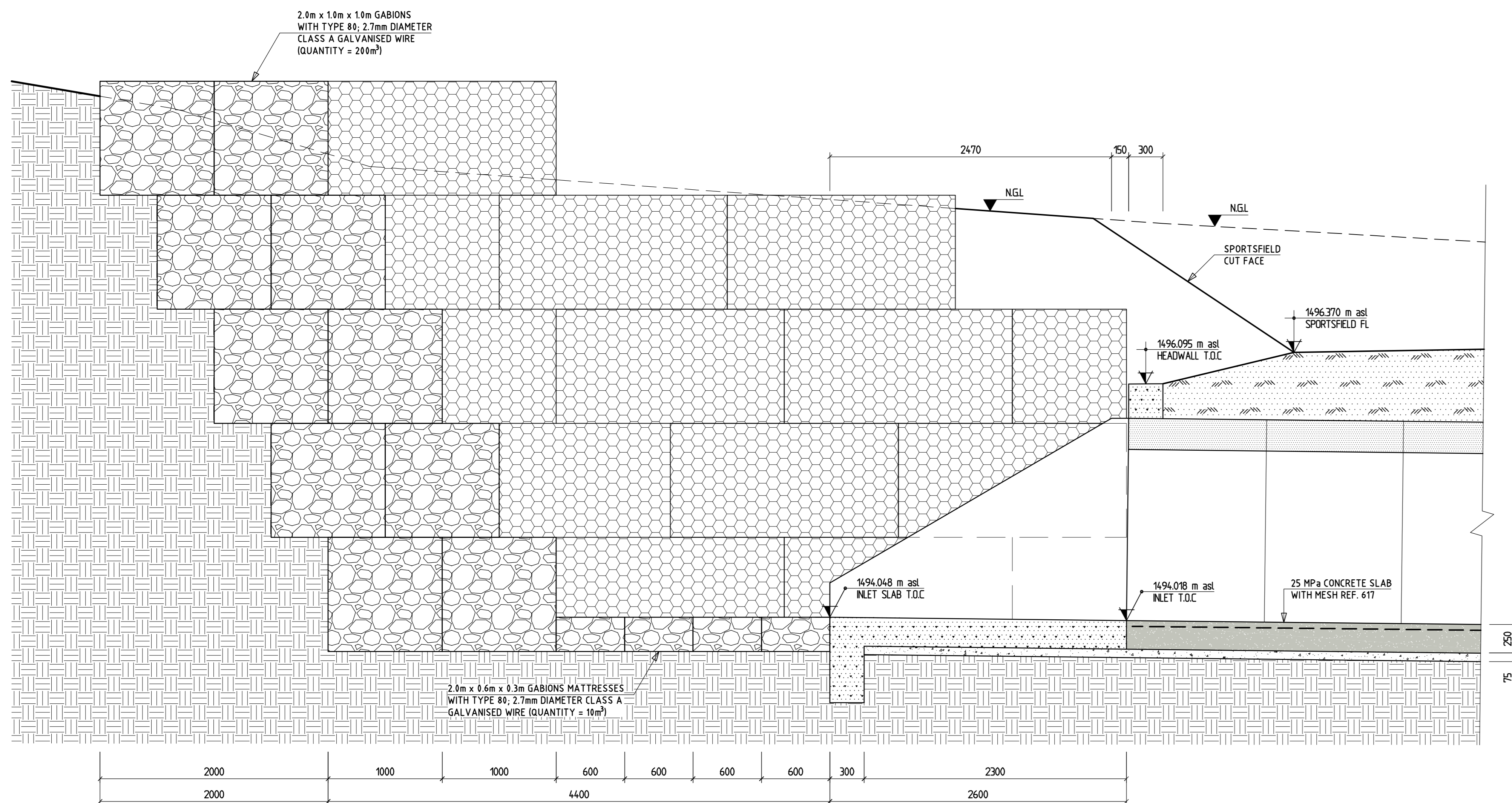


D204-03 : PORTAL CULVERT HEADWALL : PLAN (INLET WITHOUT BLOCKS)
SCALE 1:25

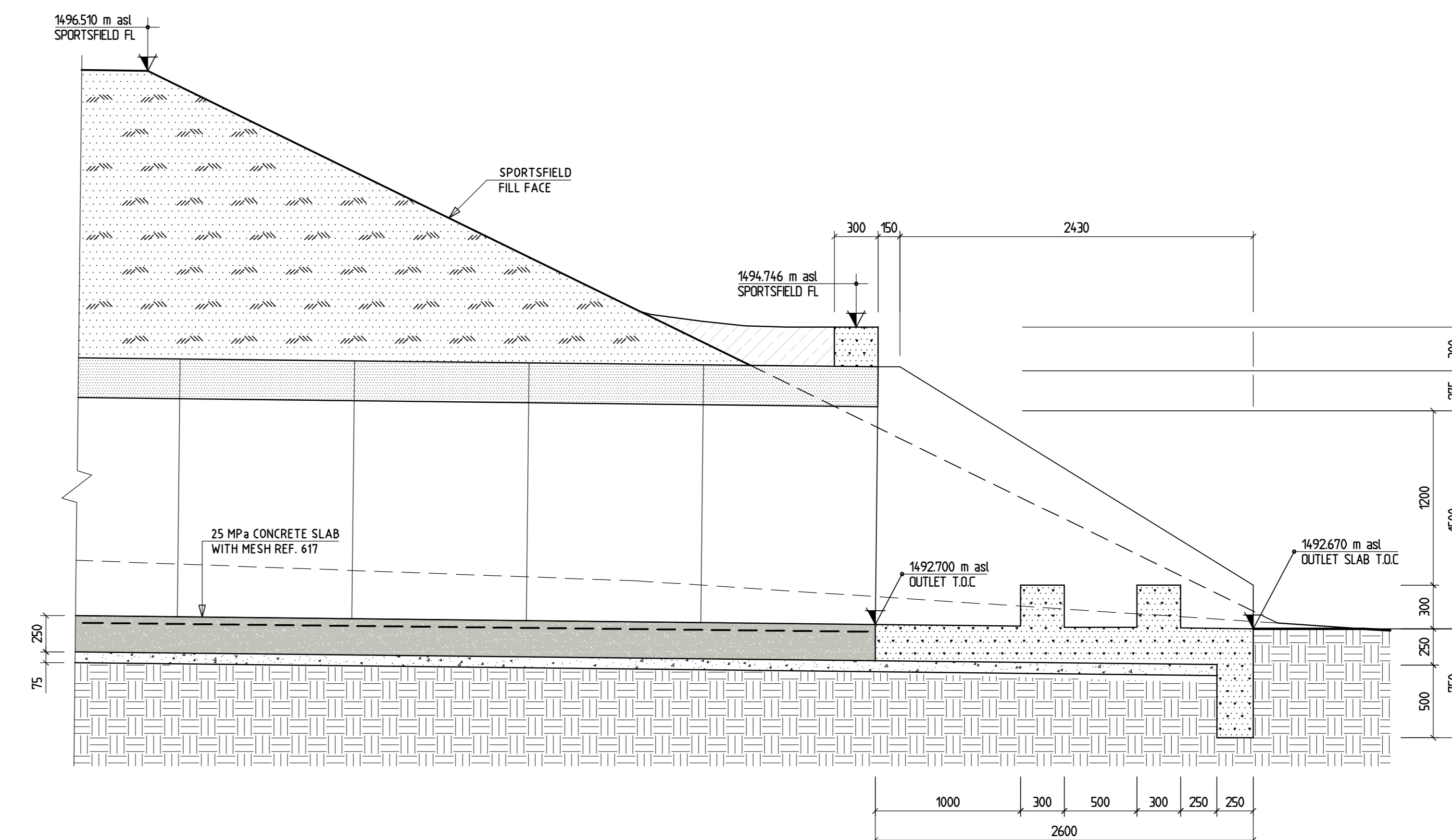


D204-04 : PORTAL CULVERT HEADWALL : PLAN REINFORCEMENT DETAIL
SCALE 1:25

BENDING SCHEDULE															
TYPE AND SIZE	BAR MARK NO.	NO. OF UNITS	NO. PER UNIT	TOTAL NO. BARS	BAR CUT LENGTH	SHAPE CODE	A	B	C	D	E	F	TOTAL Y-BAR MASS	TOTAL WELD-MESH	SHAPE CODES
Y12	101	2	23	46	800	34	650						33		20
Y10	102	2	4	8	5800	20	5800						29		34
Y10	103	2	8	16	850	83	250	150	150				9		A
Y10	103	1	240	240	850	83	250	150	150				106		A
Y12	104	4	13	52	800	37	300						37		37
Y12	105	2	4	8	3000	20	3000						22		60
Y10	106	2	13	26	1100	60	200	200					18		A B
Ref. 617	2	1	2	12	12 m ² CUT ON SITE TO SUIT : Weldmesh Headwall Bottom Slab								150 kg		B C
Ref. 617	4	1	4	3	3 m ² CUT ON SITE TO SUIT : Weldmesh Headwall Wing Walls								74 kg		
Ref. 617	1	1	1	1	280 m ² CUT ON SITE TO SUIT : Weldmesh Portal Culvert Bottom Slab								2345 kg		
Ref. 617	4	1	4	4	4.5 m ² CUT ON SITE TO SUIT : Weldmesh Pipe Culvert Headwall Slab								112 kg		



D204-05 : PORTAL CULVERT INLET : SECTION H-H
SCALE 1:25



D204-06 : PORTAL CULVERT OUTLET : SECTION H-H
SCALE 1:25

Notes:
MUNICIPAL CONNECTION
1. CONTRACTOR SHALL CONFIRM THE ACTUAL MUNICIPAL CONNECTION WITH THE ENGINEER AND THE MUNICIPALITY.

FOR TENDER
ORIGINAL IN RED
ORIGINAL
SIGNED: [Signature] DATE: 14/07/2023

REFERENCE DRAWINGS
Dep. No. Description
PH3-C202 STORMWATER - LAYOUT PLAN - SHEET 2 OF 2

Copyright vests in the Department of Eastern Cape Department of Education
AS-BUILT DRAWINGS
Copyright 2023. All rights reserved. No part of this drawing may be reproduced without the prior written permission of the Department of Education.
Name: _____
Date: _____
Professional Registration No.: _____

No.	DATE	AMENDMENT	Rev By
1	14-07-2023	ISSUED FOR TENDER	EMC

Client File Name
C204-PORTAL CULVERT-Rev-1.dwg
Checked By Consultant

EM: CHRWA
Name: 20020003
Professional Registration No.
Signature: [Signature]
Date: 14-07-2023

Consultant
MOLEMO
CONSULTING ENGINEERS
BLOCK E
73 WILHELM DRIVE
CLARENDON
PIETERMARITZBURG, 4100.
CELL: 082 714 4400
Email: info@molemo.co.za
P.O. BOX 955
PIETERMARITZBURG
3200
TEL: 033 342 7953
TEL: 033 342 2298
Discipline: **CIVIL AND STRUCTURAL**

idt
INTEGRATED DESIGN TEAM
BROADCAST HOUSE, EBBSHOOT STREET
FOURTH FLOOR
PRIVATE BAG X3275
UMTATA, 5100

Project
**DEPARTMENT OF EDUCATION
EASTERN CAPE PROVINCE
CONSTRUCTION OF
SIVE MALUTI SPECIAL SCHOOL
PHASE 3 CEDARVILLE**

Drawing Description
**PHASE 3 CEDARVILLE
STORMWATER CULVERTS
AND HEADWALLS
PLAN AND DETAILS**

Drawn: A. SWENDU	Date: 14-07-2023
Scale: AS SHOWN	Sheet Size: A0
Consultant Drawing Number: IDT-EC-SM-PH3-C204	Revision: T
DOW Drawing Number: IDT-EC-SM-PH3-C204	Revision: T

Stamped by Plans Approval Committee

IDT-EC-SM-PH3-C204 REV. T